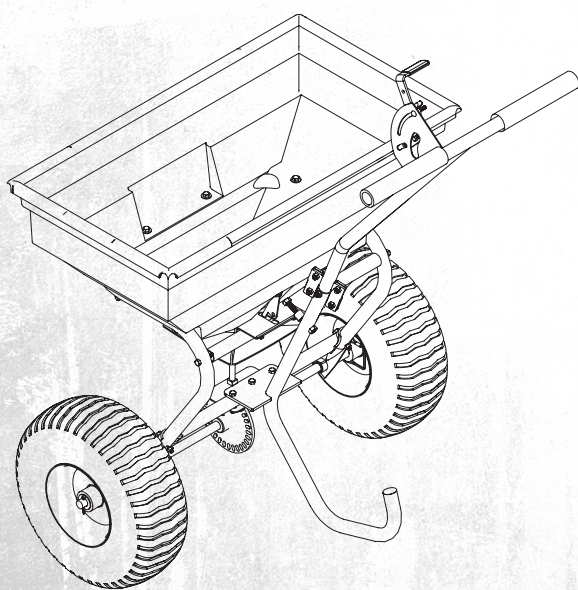




# ***gopart***<sup>®</sup>

## ***Push spreader***

125LB / 55kg



<b><i>Schiebestreuer</i></b>	<i>DE</i>
<b><i>Épandeur à pousser</i></b>	<i>FR</i>
<b><i>Duw stooier</i></b>	<i>NL</i>
<b><i>Skubbespreder</i></b>	<i>DK</i>
<b><i>Carro esparcidor</i></b>	<i>ES</i>
<b><i>Spargitore a spinta</i></b>	<i>IT</i>
<b><i>Rozsiewacz pchany</i></b>	<i>PL</i>

FGP455239GP

# GENERAL WARNINGS

**READ and UNDERSTAND this manual completely before using Push Spreader.**

Operator must read and understand all safety and warning information, operating instructions, maintenance and storage instructions before operating this equipment. Failure to properly operate and maintain the push spreader could result in serious injury to the operator or bystanders.

## Operation Warnings

- Do not at any time carry passengers on the spreader.
- Do not allow children to play on, stand upon or climb in the spreader.
- Always inspect the spreader before using to assure it is in good working condition.
- Replace or repair damaged or worn parts immediately.
- Always check and tighten hardware and assembled parts before operation.
- Do not exceed equipment maximum load capacity of 125lb.
- Avoid large holes and ditches when transporting loads.
- Be careful when operating on steep grades (hill) the spreader may tip over.
- Do not push close to, ditches and public highways.
- Do not use spreader on windy days when spreading grass seed or herbicides.
- Always use caution when loading and unloading spreader.
- Never tow the spreader with a motorized vehicle.

## Crush and Cut Hazards

- Always keep hands and feet clear from moving parts while operating the equipment.
- Always clear and keep work area clean when operating.
- Always wear safety gear, eye protection, gloves and work boots when operating the spreader.

### WARNING





The warnings, cautions, and instructions outlined in this instruction manual cannot cover all possible conditions or situations that may occur. It must be understood by the operator that common sense and caution are factors which cannot be built into this product and must be supplied by the operator.

## Assembly Is Required

This product requires assembly before use. See "Assembly" section for instructions. Because of the weight and/or size of the push spreader, it is recommended that another adult be present to assist with the assembly. **INSPECT ALL COMPONENTS** closely upon receipt to make sure no components are missing or damaged.

UK

## HAZARD SIGNAL WORD DEFINITIONS

	<p>This is the safety alert symbol. It is used to alert you to potential personal injury hazards. Obey all safety messages that follow this symbol to avoid possible injury or death.</p>
 <b>DANGER</b>	<p>DANGER indicates an imminently hazardous situation which, if not avoided, will result in death or serious injury.</p>
 <b>WARNING</b>	<p>WARNING indicates a potentially hazardous situation which, if not avoided, could result in death or serious injury.</p>
 <b>CAUTION</b>	<p>CAUTION indicates a potentially hazardous situation which, if not avoided, may result in minor or moderate injury.</p>
<b>CAUTION</b>	<p>CAUTION used without the safety alert symbol indicates a potentially hazardous situation which, if not avoided, may result in property damage.</p>

**UK**

### ABOUT YOUR PUSH SPREADER

This push spreader is designed to spread a wide range of materials (Fertilizer, Grass Seed and Ice melt). Materials such as Powders, Manure, Top Soil, Gravel, and Mulch have the wrong physical characteristics and should not be used with this spreader. Never exceed the rated load capacity of 125lbs when operating the spreader.

Your spreader needs to be pushed at three miles per hour, which is a brisk walking speed. Slower or faster speeds will change the spread patterns. Wet spreading material will also change the spread pattern and flow rate. Clean your spreader thoroughly after each use. Wash between the shut off plate and bottom of the hopper.

Technical specifications on the push spreader are provided in the "Specifications" section of this manual.

## CONTROLS AND FEATURES IDENTIFICATION

Read this owner's manual before operating the equipment. Familiarize yourself with the location and function of the controls and features. Save this manual for future reference.



1. **Handle** – Pushes and moves the spreader easily.
2. **Flow Control** – Controls the flow of material being spread.
3. **Hopper** – Do not exceed rated load capacity 125lb.
4. **Tires / Wheel** – Do not exceed recommended rated 30PSI.
5. **Impeller** – Evenly distributes material.
6. **Support Leg** – Stabilizes load and spreader.

### CAUTION

Read and follow all instructions for assembly and operation. Failure to properly assemble this equipment could result in serious injury to the user or bystanders, or cause equipment damage.

## PUSH SPREADER COMPONENT PARTS AND ASSEMBLY.

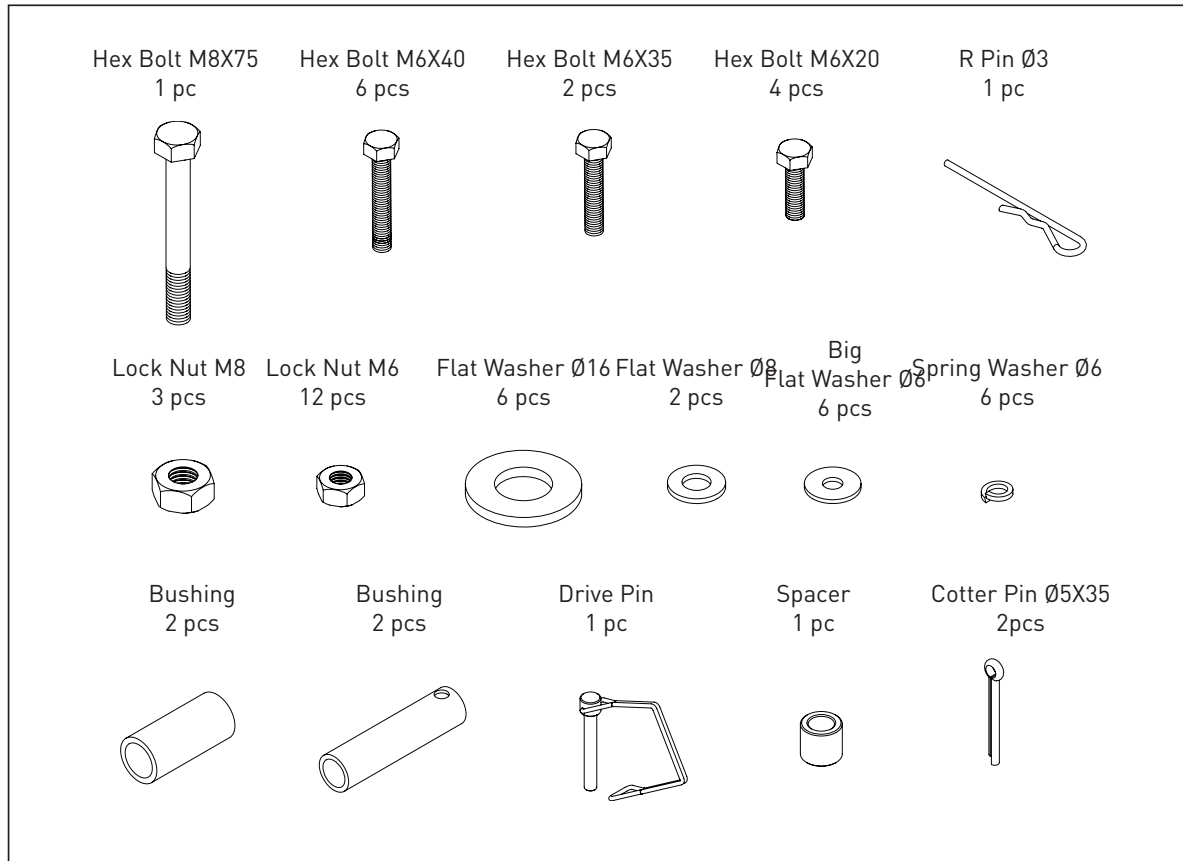
Take all parts out of the shipping crate and inspect components to ensure there are no missing pieces before starting to assemble the push spreader follow steps 1 through 5.

### TOOLS REQUIRED

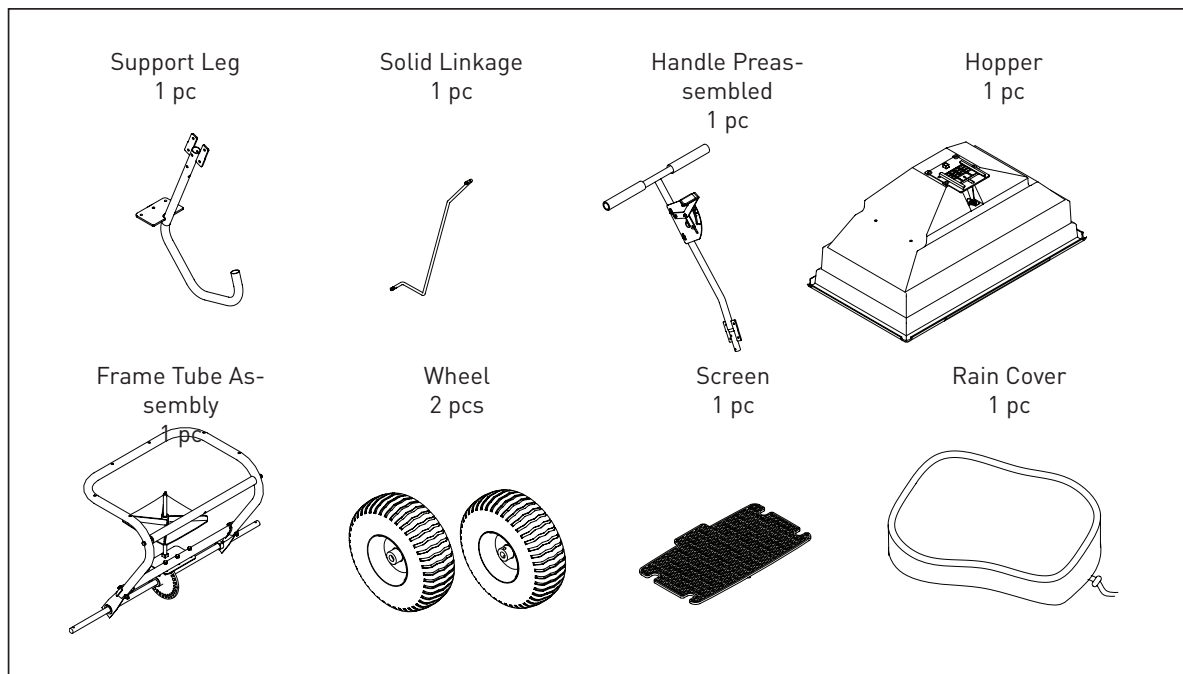
- Pliers (2 Each)
- 8mm Wrenches (2 Each)
- 10mm Wrenches (2 Each)
- 13mm Wrench
- 14mm Wrench



# COMPONENT PARTS



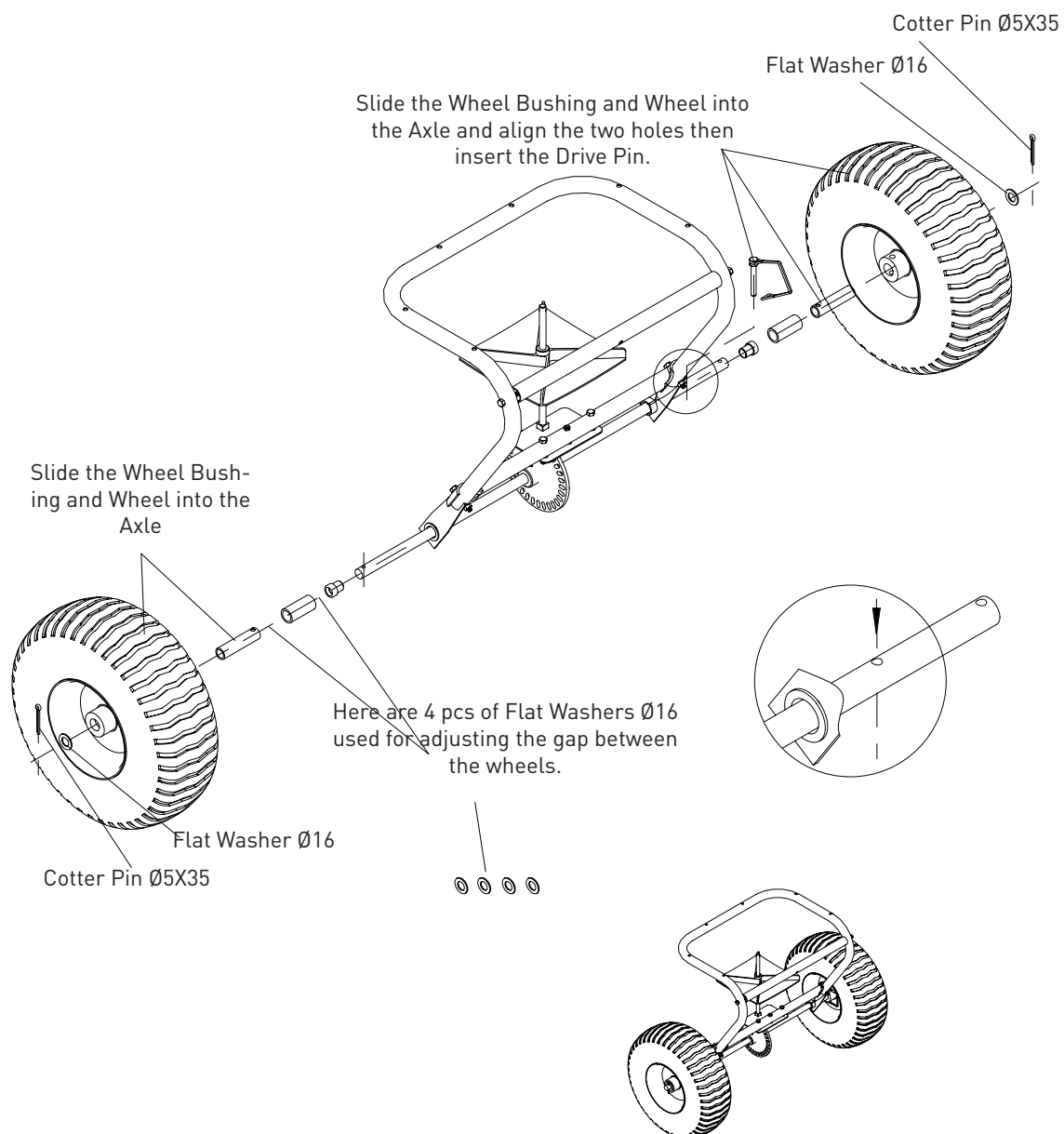
**UK**



## STEP 1: INSTALLING THE WHEELS

1. On the left side of axle install a wheel bushing and wheel spacer into the axle.
2. Slide a wheel over the axle.
3. Put an  $\varnothing 16$  flat washer over the axle, insert the cotter pin through the hole and secure by bending.
4. On the right side of the axle slide a wheel bushing and the wheel spacer into the axle.
5. Put a wheel over the axle, line up the holes and insert the drive pin through sleeve and lock.
6. Put an  $\varnothing 16$  flat washer over the axle, insert the cotter pin through the hole and secure by bending.

**NOTE:** Four additional flat washers are provided for adjusting the gap between the wheels.

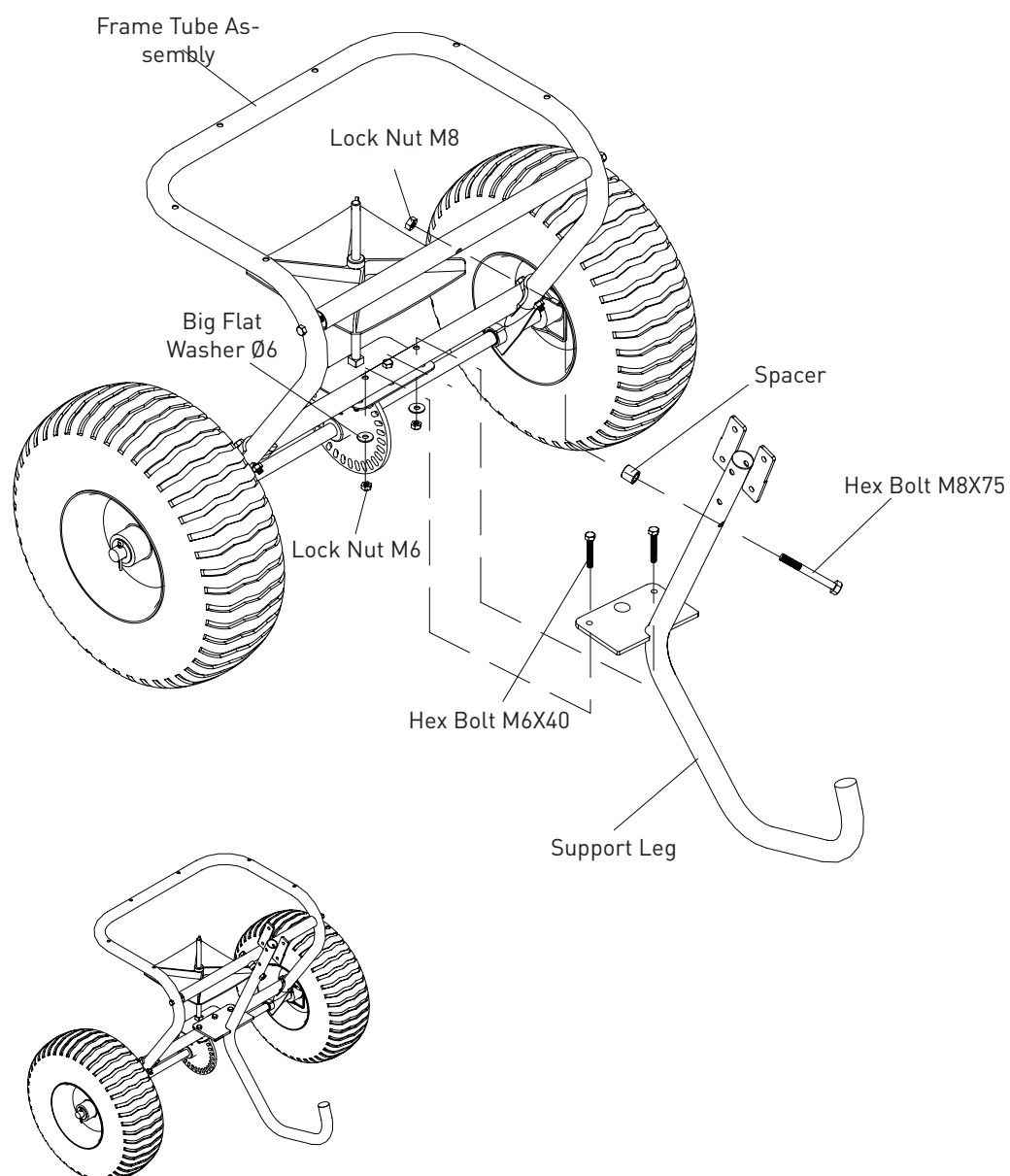


## STEP 2: ASSEMBLING THE SUPPORT LEG

1. Position the support leg so the J-shaped end is pointing away from the wheel assembly.
2. Insert the M8x75 hex bolt through the top hole on the support leg and slide the spacer over the bolt end.
3. Take the support leg and insert the bolt through the upper cross bar on the mounting assembly and loosely tighten with the M8 lock nut.

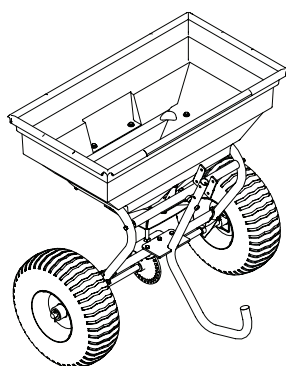
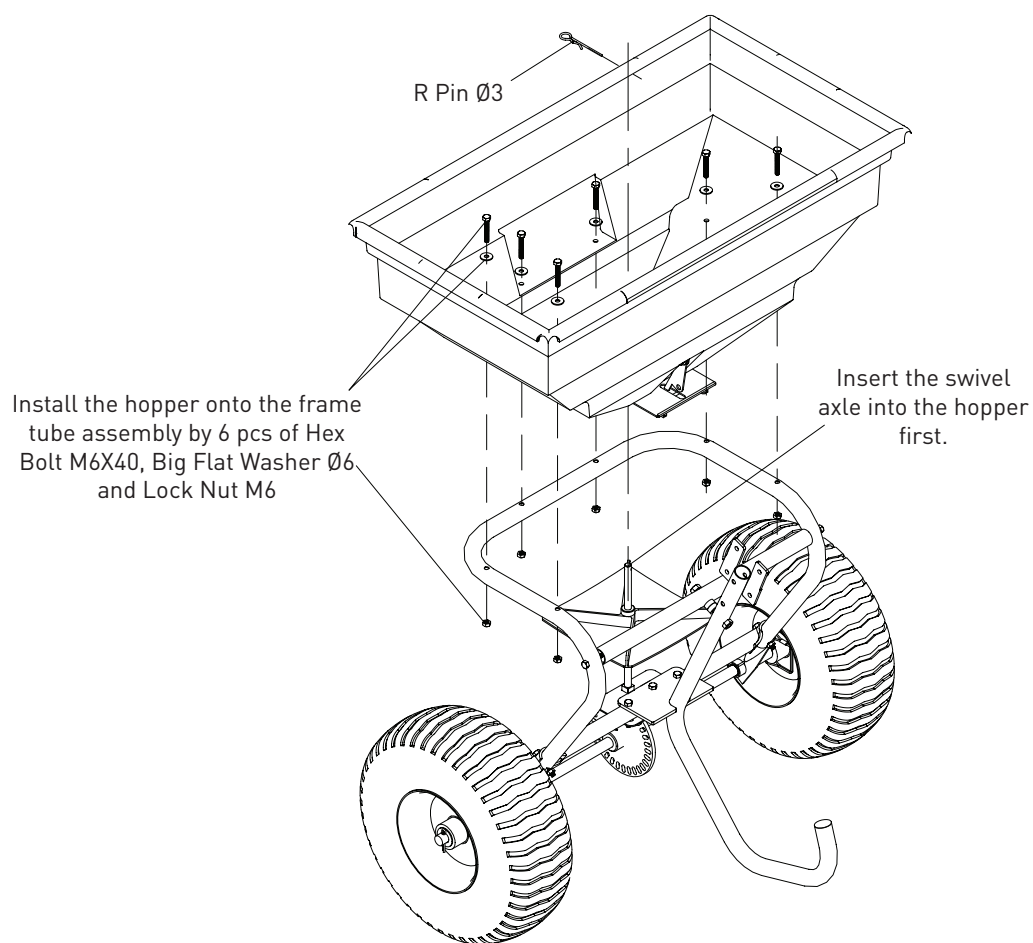
**NOTE:** Before tightening the bolt make sure the support leg flange and the lower cross bar holes line up.

4. Insert M6 x 40 hex bolt through the holes in the flange and cross bar. Use the Ø6 big flat washer and M6 lock nut and tighten all hardware.



## STEP 3: INSTALLING THE HOPPER

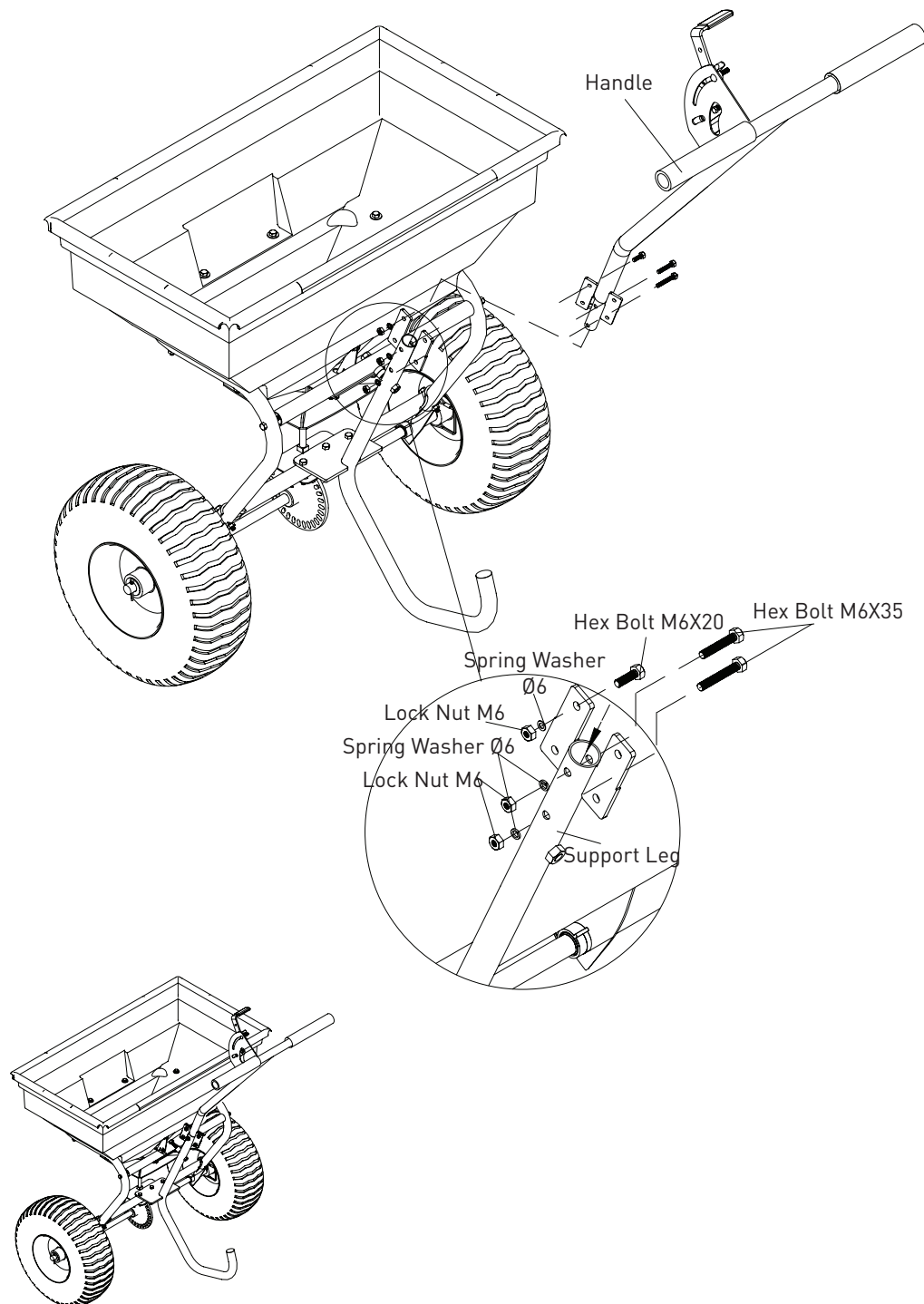
1. Lower the hopper over the mounting assembly, carefully line up the holes in the bottom of the hopper with the spindle in the mounting plate of the axle.
2. Use the M6 x 40 hex bolt and Ø6 flat washer to attach the hopper to the mounting assembly and secure with M6 lock nut.
3. Make sure the gear and pinion gear works smoothly. If not, adjust again until the gear and pinion gear swivel smoothly.
4. Tighten all the hardware on the shaft support plate and hopper.
5. Insert the R pin through the top of the spindle.





## STEP 4: CONNECTING HANDLE TO THE SUPPORT LEG

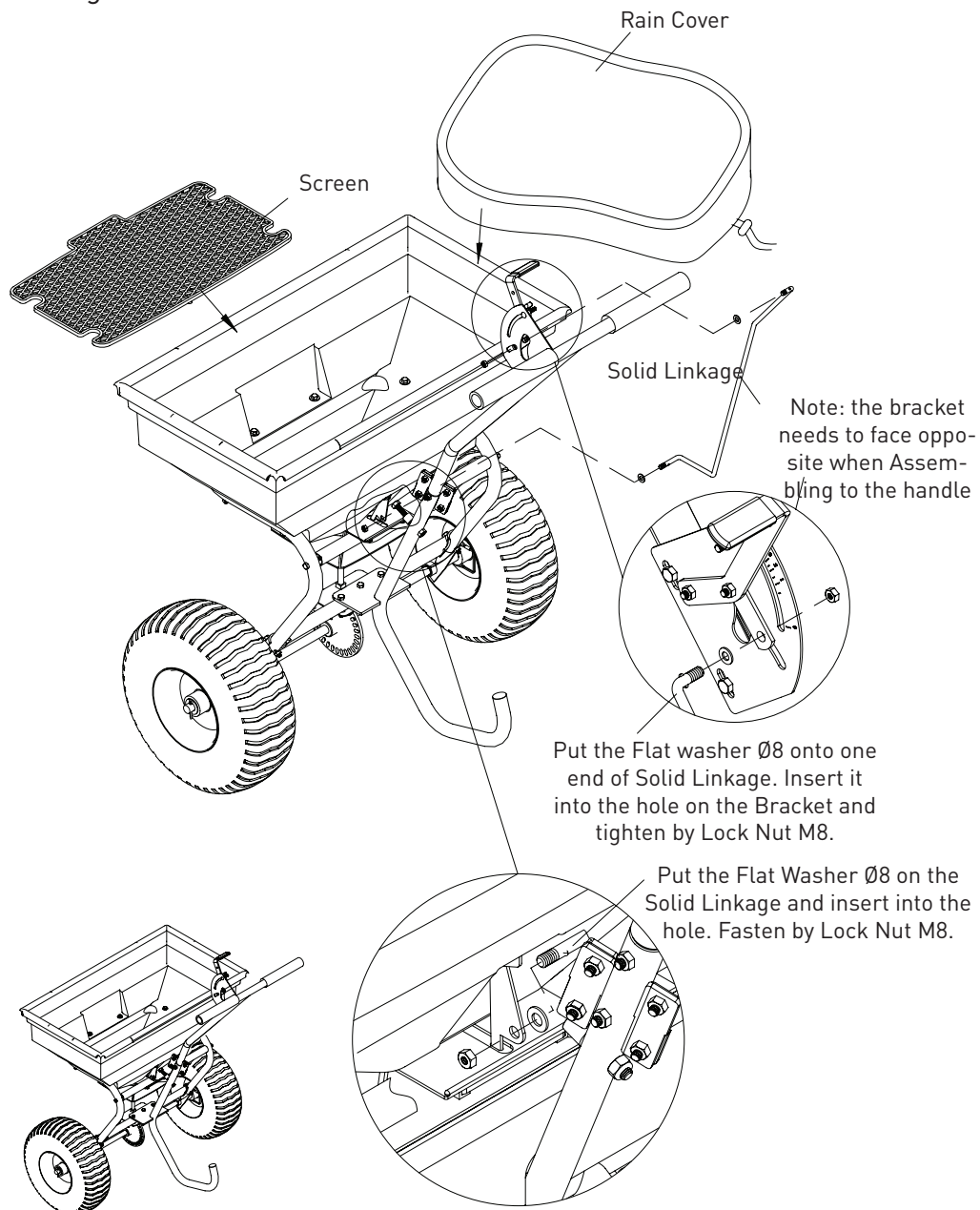
1. Slide the handle tube into the top of the support leg and align the two holes.
2. Insert M6x35 hex bolts through the two holes on the support leg and tighten with the  $\text{\O}6$  spring washer and M6 lock nut.
3. Insert M6x20 hex bolt through the hole in the side plate and tighten with  $\text{\O}6$  spring washer and M6 lock nut.



UK

## STEP 5: CONNECTING THE SOLID LINKAGE

1. Connect the solid linkage through the bottom fix plate using the  $\varnothing 8$  flat washer and tighten with a M8 lock nut.
2. Connect the other end of the linkage to the flow control with an  $\varnothing 8$  flat washer and M8 lock nut.
3. Install the hopper screen in the bottom of the hopper.
4. Before using the spreader make sure all the hardware is tightened.
5. Use the rain cover as needed to protect material in the hopper or when spreader is being stored.



UK

# OPERATION INSTRUCTIONS

## WARNING

Before using the push spreader, review the instructions below and safety information. Failure to follow these instructions may result in property damage or injury to the operator or bystanders.

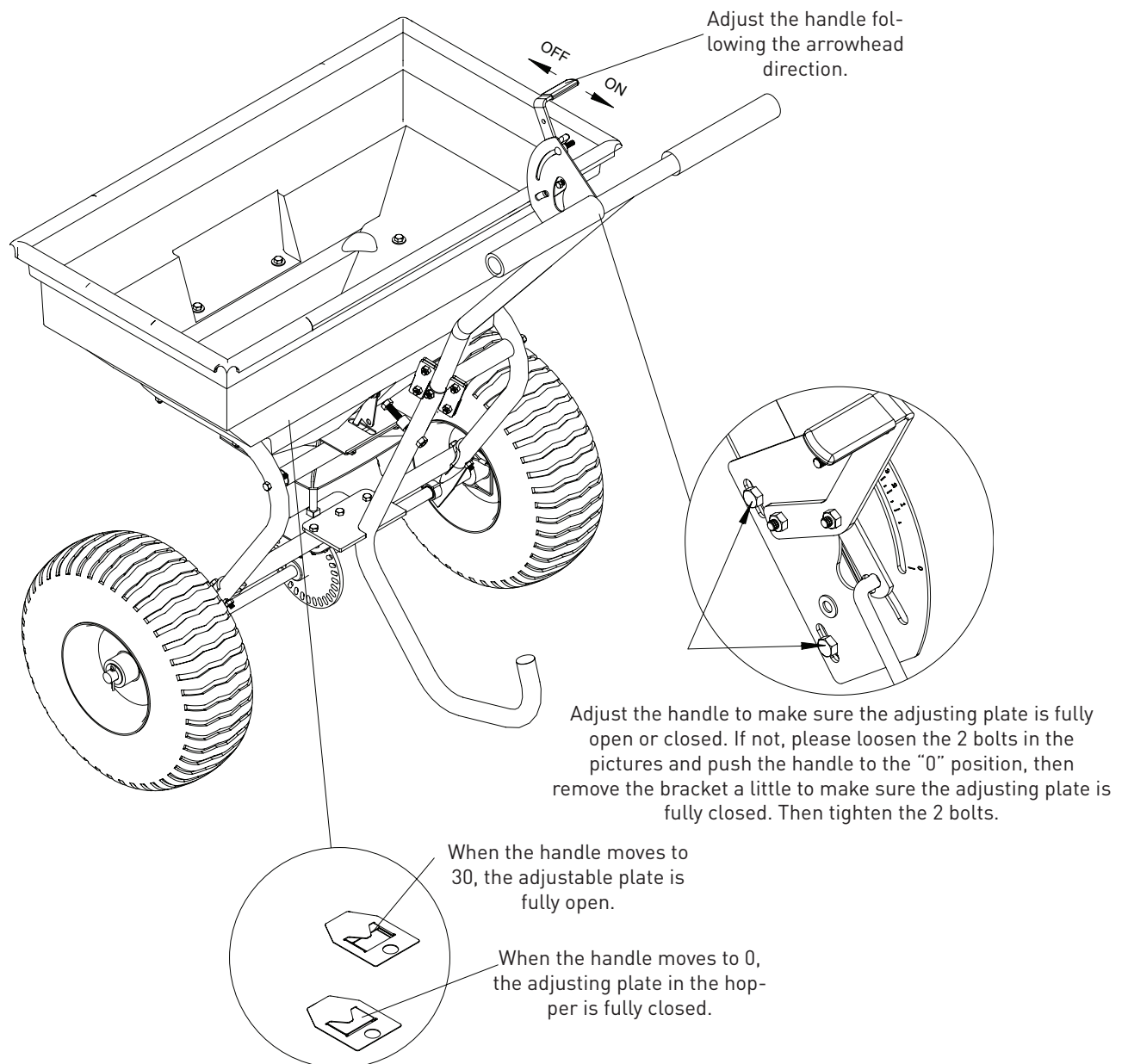
## USING YOUR SPREADER

1. Inspect your spreader before each use. Make sure the wheels turn easily, and the gearbox moves when the spreader is pushed. The hopper should be clean and free from cracks.
2. Spreader is designed to spread a range of materials (Fertilizer, Grass Seed and Ice melt). Materials such as Powder, Manure, Top Soil, Gravel, and Mulch have the wrong physical characteristics and should not be used with your spreader
3. Do not use spreader on windy days when spreading grass seed or herbicides.
4. Determine approximate square footage of the area to be covered and estimate amount of material required. Please refer to fertilizer manufacturer's recommendation. Break up any lumpy fertilizer as you fill the hopper.
5. Before filling the hopper, make sure that the flow control lever is in the "0" position and the flow control plate is closed.
6. Set the adjustable stop with the flow control lever always in the "0" position. Every time you are ready to stop or turn back, close the flow control plate to stop dispersing the material and continue one more stride. This reduces waste and avoids damaging the lawn with oversaturated product coverage.
7. Follow fertilizer manufacturer's recommended coverage rate for each product.
8. To maintain the same coverage when walking at a different speed, adjust the flow rate. Reduce the flow setting for slower speeds and increase the flow setting for higher speeds.
9. Keep the impeller plate horizontal when operating the spreader. Tilting the spreader will result in uneven coverage.
10. Make sure the R pin is installed in the hopper before starting the spreader.
11. Always start walking prior to opening the closure plate.
12. Always close the flow control plate before turning or stopping the spreader.
13. If spreading material is accidentally deposited too heavily in a small area, soak the area thoroughly with a garden hose or sprinkler to prevent burning of the lawn.
14. To insure consistent coverage, make sure each broadcast pattern slightly overlaps the previous broadcast pattern.
15. When spreading material, make sure the broadcast pattern does not hit evergreen trees, flowers or shrubs.
16. Do not over apply spreading material. Follow the recommended coverage rate for each product. Over application will lead to lawn damage and contamination.

# OPERATION INSTRUCTIONS

## ADJUSTING THE FLOW

1. You can move up the handle to adjust the spreader setting by following the direction of the arrowhead. When the handle moves up to "30", the adjustable plate is fully open, when it goes to "0", it's fully closed.
2. Loosen the wing nut on the Bracket and move the adjustment lever handle up or down depending on the amount of material required. Pushing the handle down will release more material and pulling the handle up will stop the flow entirely.
3. Tighten the wing nut when the desired position is reached.



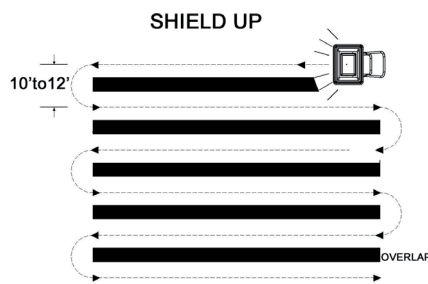
UK



# OPERATION INSTRUCTIONS

## CONSISTENT COVERAGE

To insure consistent coverage, make sure each broadcast pattern slightly overlaps the previous broadcast pattern as shown in figure below. The approximate broadcast widths for different materials are shown in the application chart.



### WARNING

Do not over apply spreading material. Follow the recommended coverage rate for each product. Over application will lead to damage and contamination. If spreading material accidentally hits or deposits too heavily, soak the area thoroughly with a garden hose or sprinkler to prevent burning.

# SPREADING INSTRUCTIONS

## CALCULATING AMOUNT OF MATERIAL NEEDED

To calculate the amount of fertilizer you will need to cover your lawn, divide the coverage amount listed on the label by the weight of the fertilizer bag. For example a 10LB bag of fertilizer with coverage of 10,000 square feet will distribute 1LB of fertilizer every 1,000 square feet at full rate or 1/2LB of fertilizer every 1,000 square feet at half rate. For pre-calculated rates see Chart A

(Example: 25LB bag with 15,000 sq. ft. coverage = 1.7LB/1,000 sq. ft.). Use Chart B to find the closest spreader setting (Example: 1.7LB/1000 sq. ft. = Spreader Setting of 8).

**Chart A - Square Foot Coverage per Bag\***

Weight of Bag (LBS.)	LBS/1,000 SQ FT		
	5,000 SQ FT COVERAGE	10,000 SQ FT COVERAGE	15,000 SQ FT COVERAGE
5	1.0 LB	0.5 LB	0.3 LB
10	2.0 LB	1.0 LB	0.7 LB
15	3.0 LB	1.5 LB	1.0 LB
20	4.0 LB	2.0 LB	1.3 LB
25	5.0 LB	2.5 LB	1.7 LB
30	6.0 LB	3.0 LB	2.0 LB
35	7.0 LB	3.5 LB	2.3 LB
40	8.0 LB	4.0 LB	2.7 LB
45	9.0 LB	4.5 LB	3.0 LB
50	10.0 LB	5.0 LB	3.3 LB
55	11.0 LB	5.5 LB	3.7 LB

\*These are only estimates actual amounts may vary.

**Chart B - Spreader Settings/Spread Widths**

MULTI-USAGES	LBS/1,000 SQ FT	SPREADER SETTING	SMALL PARTICLE SPREAD	MEDIUM PARTICLE SPREAD	LARGE PARTICLE SPREAD
FERTILIZER GRASS SEEDS ICEMELT	1	5	5-6 FT	6-9 FT	9-12 FT
	2	8	5-6 FT	6-9 FT	9-12 FT
	3	10	5-6 FT	6-9 FT	9-12 FT
	4	13	5-6 FT	6-9 FT	9-12 FT
	5	15	5-6 FT	6-9 FT	9-12 FT
	6	18	5-6 FT	6-9 FT	9-12 FT
	7	20	5-6 FT	6-9 FT	9-12 FT
	8	23	5-6 FT	6-9 FT	9-12 FT
	9	25	5-6 FT	6-9 FT	9-12 FT
	10	28	5-6 FT	6-9 FT	9-12 FT
	11	30	5-6 FT	6-9 FT	9-12 FT

**NOTE: DO NOT USE SALT.** Using salt in this spreader will damage the mechanism and shorten the life of the machine.

UK

## MAINTENANCE AND STORAGE

### WARNING

Improper maintenance and storage of the push spreader may void your warranty.

### MAINTENANCE

- After each use clean material out of hopper.
- Rinse/dry inside and outside of the spreader after each use.
- Before operating make sure the tires have the RECOMMENDED TIRE PRESSURE 30 PSI.
- Periodically check all fasteners for tightness.
- Annually clean and lightly lubricate parts.
- Use a glossy enamel spray paint to touch up scratched or worn painted metal surfaces.
- Never exceed load capacity rating of 125lbs it will damage the spreader.

### IMPORTANT:

If a part needs replacement, only use parts that meet the manufacturer's specifications.

Replacement parts that do not meet specifications may result in a safety hazard or poor operation.

### STORAGE

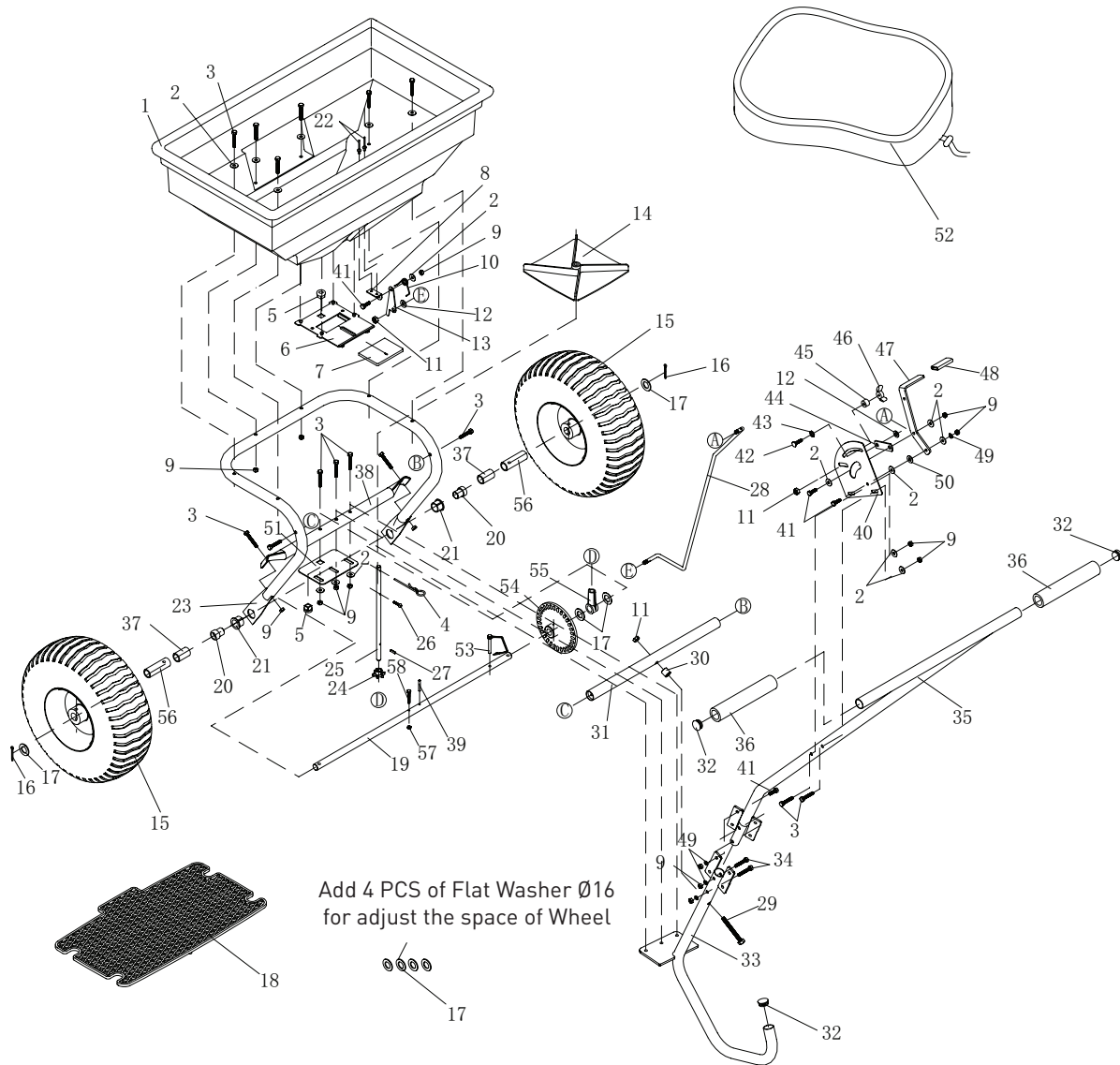
- Never allow material to remain in the hopper for extended periods of time.
- Before storing make sure the spreader is clean and dry for years of trouble free service.
- Store indoors or protected area during severe weather and winter months.

## SPECIFICATIONS

<b>Load Capacity:</b> 125lb
<b>Spreader Type:</b> Broadcast
<b>Hopper Material:</b> Polypropylene
<b>Hopper Dimensions:</b> 29 1/2" x 16 1/2" x 13 1/2"
<b>Overall Dimensions:</b> 44" x 31 1/2" x 35 1/2"
<b>Wheel size:</b> 15"
<b>Tire Pressure (PSI):</b> 30
<b>Unit Weight:</b> 38lb

# PARTS DRAWING & PARTS LIST

UK







**UK**

Ref#	Description	Qty	Ref#	Description	Qty
1	Hopper	1	30	Spacer	1
2	Big Flat Washer Ø6	16	31	Fixed Crossover Tube	1
3	Hex Bolt M6x40	15	32	Plastic Cap	3
4	R Pin Ø3	1	33	Support Tube	1
5	Bearing	2	34	Hex Bolt M6x35	2
6	Fixed Adjustable Plate	1	35	Handle	1
7	Active Adjustable Plate	1	36	Handle Cover	2
8	Base for Spring	1	37	Axle Bushing	2
9	Hex Lock Nut M6	22	38	Crossover Tube	1
10	Spring	1	39	Spring Pin Ø4x30	1
11	Hex Lock Nut M8	3	40	Bracket	1
12	Flat Washer Ø8	2	41	Hex Bolt M6x20	7
13	Fixed Plate for Connecting Rod	1	42	Carriage Bolt M6x25	1
14	Impeller	1	43	Teeth Lock Washer Ø8	1
15	Wheel	2	44	Connecting Plate	1
16	Cotter Pin Ø5x35	2	45	Spacer	1
17	Flat Washer Ø16	8	46	Wing Nut M6	1
18	Screen	1	47	Adjusting Handle	1
19	Axle	1	48	Handle Cover	1
20	Inner Axle Bushing	2	49	Spring Washer Ø6	7
21	Outer Axle Bushing	2	50	Nylon Washer	1
22	Rivet Ø5x8	2	51	Shaft Support Plate	1
23	Frame Tube Assembly	1	52	Rain Cover	1
24	Pinion Gear	1	53	Drive Pin	1
25	Swivel Axle	1	54	Gear (Driver)	1
26	Screw M4x20	1	55	Shaft Support Cap	1
27	Spring Pin Ø3x16	1	56	Wheel Bushing	2
28	Solid Linkage	1	57	Hex Lock Nut M5	1
29	Hex Bolt M8x75	1	58	Hex Bolt M5x40	1



# ALLGEMEINE WARNHINWEISE

**Vor der Benutzung des Schiebestreuers müssen Sie diese Anleitung vollständig gelesen und verstanden haben.**

Vor der Benutzung dieses Geräts müssen alle Sicherheits- und Warnhinweise sowie alle Anweisungen zu Bedienung, Wartung und Lagerung gelesen und verstanden werden. Falls der Schiebestreuer nicht ordnungsgemäß benutzt und gewartet wird, kann dies schwere Verletzungen des Anwenders oder unbeteiligter Personen zur Folge haben.

## Warnhinweise zum Betrieb

- Befördern Sie niemals Personen sitzend oder stehend auf dem Streuer.
- Verhindern Sie, dass Kinder auf dem Streuer spielen, stehen oder auf den Streuer klettern.
- Prüfen Sie vor der Benutzung des Streuers stets, ob dieser sich in einem einwandfreien Zustand befindet.
- Ersetzen oder reparieren Sie beschädigte oder verschlissene Teile sofort.
- Prüfen Sie vor dem Gebrauch stets alle Befestigungsteile und montierten Bauteile und ziehen Sie sie fest.
- Überschreiten Sie niemals die maximale Nutzlast von 57 kg (125 lbs).
- Vermeiden Sie große Löcher und Gräben, wenn Sie Lasten transportieren.
- Seien Sie vorsichtig, wenn Sie an steilen Hängen arbeiten, da der Streuer umkippen kann.
- Fahren Sie mit dem Streuer nicht in die Nähe von Bächen, Gräben und öffentlichen Schnellstraßen.
- Verwenden Sie den Streuer nicht an windigen Tagen, wenn Sie Grassamen oder Herbizide streuen.
- Gehen Sie beim Be- und Entladen des Streuers umsichtig vor.
- Ziehen Sie den Streuer niemals mit einem motorisierten Fahrzeug.

## Quetsch- und Schneidgefahren

- Halten Sie bei der Nutzung des Geräts Hände und Füße von beweglichen Teilen fern.
- Entfernen Sie Hindernisse aus dem Arbeitsbereich und halten Sie den Arbeitsbereich stets sauber, wenn Sie das Gerät benutzen.
- Tragen Sie Sicherheitsausrüstung, Augenschutz, Handschuhe und Arbeitsstiefel, wenn Sie den Streuer benutzen.

### WARNUNG

Die in dieser Bedienungsanleitung aufgeführten Warnhinweise und Anweisungen können sich nicht auf alle möglichen Bedingungen oder Situationen beziehen. Alle Hinweise können den umsichtigen und sorgfältigen Umgang mit dem diesem Produkt natürlich nicht ersetzen!

### PROP 65-WARNUNG





Dieses Produkt enthält Chemikalien, die nach Kenntnissen des Bundesstaats Kalifornien (USA) Krebs, Geburtsfehler oder andere Fortpflanzungsschäden verursachen.

## Montage erforderlich

Dieses Produkt muss vor der Nutzung zusammengebaut werden. Anweisungen hierzu finden Sie im Abschnitt „Montage“. Auf Grund des Gewichts und/oder der Größe des Schiebestreuers sollte bei der Montage eine weitere erwachsene Person zur Unterstützung herangezogen werden.

DE

## WORTDEFINITIONEN GEFAHRENSYMBOLE

	Dies ist das Sicherheitswarnsymbol. Es weist Sie auf die Gefahr von Körperverletzungen hin. Beachten Sie alle Sicherheitshinweise, die auf dieses Symbol folgen, um Verletzungen oder Lebensgefahr zu vermeiden.
 <b>GEFAHR</b>	GEFAHR weist auf eine unmittelbar drohende Gefahr hin, die zum Tod oder schweren Verletzungen führt, wenn sie nicht vermieden wird.
 <b>WARNUNG</b>	WARNUNG weist auf eine mögliche Gefahrensituation hin, die zum Tod oder schweren Verletzungen führen kann, wenn sie nicht vermieden wird.
 <b>ACHTUNG</b>	ACHTUNG weist auf eine mögliche Gefahrensituation hin, die zu moderaten bis geringen Verletzungen führen kann, wenn sie nicht vermieden wird.
<b>ACHTUNG</b>	ACHTUNG ohne das Sicherheitswarnsymbol weist auf eine mögliche Gefahrensituation hin, die zu Sachschäden führen kann, wenn sie nicht vermieden wird.

DE

### DER SCHIEBESTREUER

Dieser Schiebestreuer eignet sich zum Streuen verschiedenster Materialien (Dünger, Grassamen und Streusalz). Materialien wie Pulver, Mist, Humus, Kies und Mulch sind auf Grund Ihrer physischen Eigenschaften nicht geeignet und dürfen in diesem Streuer nicht verwendet werden. Überschreiten Sie bei der Nutzung des Streuers niemals die Nennnutzlast von 57 kg (125 lbs).

Der Streuer muss mit einer Geschwindigkeit von ca. 5 km/h geschoben werden; das ist flotte Schrittgeschwindigkeit. Bei einer geringeren oder höheren Geschwindigkeit ändert sich das Streumuster. Streumuster und Durchsatz werden auch durch feuchtes Streumaterial verändert. Reinigen Sie den Streuer nach jeder Benutzung gründlich. Waschen Sie den Bereich zwischen Absperrplatte und Boden des Trichters.

Technische Daten zum Streuer finden Sie in diesem Handbuch im Abschnitt „Technische Daten“.

## BEDIENELEMENTE UND AUSSTATTUNGSMERKMALE

Lesen Sie diese Bedienungsanleitung, bevor Sie das Gerät benutzen. Machen Sie sich mit der Position und Funktion der Bedienelemente und Ausstattungsmerkmale vertraut. Heben Sie diese Anleitung auf, sodass Sie ggf. jederzeit nachschlagen



können.

1. **Griff** – Dient zum Schieben des Streuers.
2. **Durchsatzsteuerung** – Steuert den Durchsatz des gestreuten Materials.
3. **Trichter** – Überschreiten Sie nicht die Nennnutzlast von 57 kg (125 lbs).
4. **Reifen/Rad** – Überschreiten Sie nicht den empfohlenen Druck von 2,1 bar (30 psi).
5. **Flügelrad** – Verteilt das Material gleichmäßig.
6. **Stützbein** – Stabilisiert Last und Streuer.

### ACHTUNG

Lesen und beachten Sie alle Anweisungen zu Montage und Bedienung. Wenn dieses Gerät nicht einwandfrei montiert wird, kann dies schwere Verletzungen des Anwenders oder unbeteiligter Personen oder eine Beschädigung des Geräts zur Folge haben.


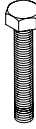
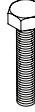
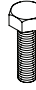
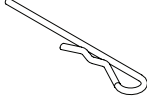
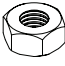

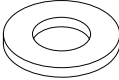


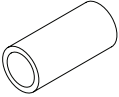
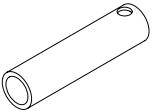



## BAUTEILE UND MONTAGE DES SCHIEBESTREUERS

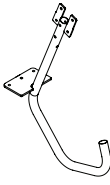

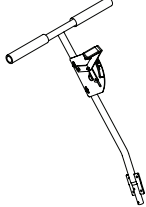
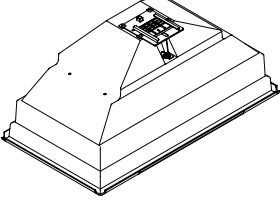
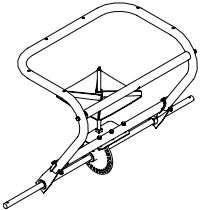
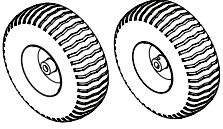

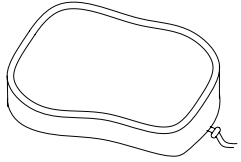
Nehmen Sie alle Teile aus dem Versandkarton, und inspizieren Sie die Bauteile, um sicherzustellen, dass keine Teile fehlen, bevor Sie mit der Montage des Schiebestreuer beginnen (Schritte 1 bis 5).

### ERFORDERLICHES WERKZEUG

- Zange (2 Stk)
- 8-mm-Schraubenschlüssel (2 Stk)
- 10-mm-Schraubenschlüssel (2 Stk)
- 13-mm-Schraubenschlüssel
- 14-mm-Schraubenschlüssel

# BAUTEILE

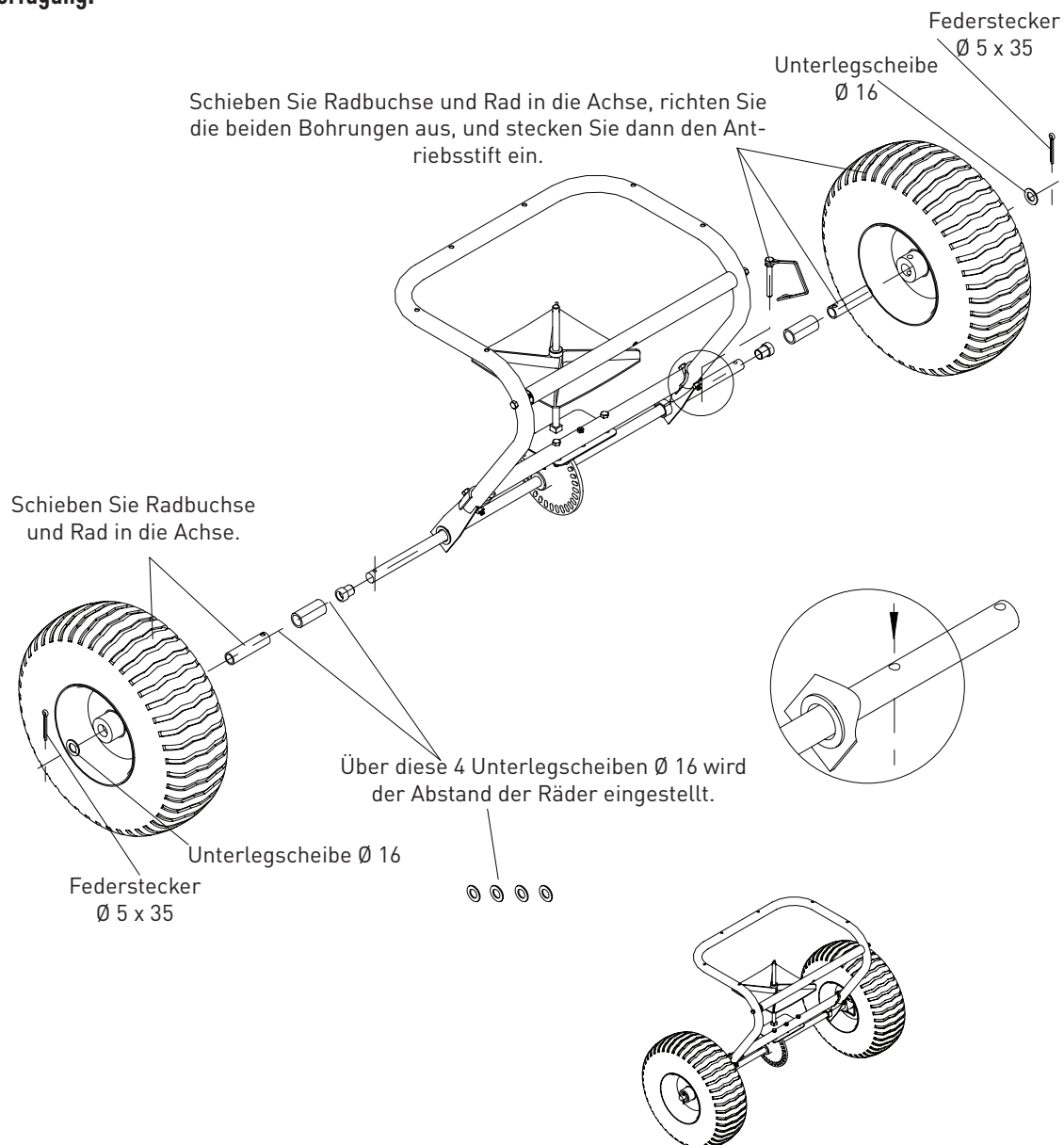
Sechskantschraube M8X75 1 St.	Sechskantschraube M6X40 6 St.	Sechskantschraube M6X35 2 St.	Sechskantschraube M6X20 4 St.	Splint Ø 3 1 St.
				
Sicherungsmutter M8 3 St.	Sicherungsmutter M6 12 St.	Unterlegscheibe Ø 16 6 St.	Unterlegscheibe Ø 8 2 St.	Große Unterlegscheibe Ø 6 6 St.
				
Hülse 2 St.	Hülse 2 St.	Antriebsstift 1 St.	Distanzstück 1 St.	Federstecker Ø 5 x 35 2 St.
				

Stützbein 1 St.	Massives Gestänge 1 St.	Griff, vormontiert 1 St.	Trichter 1 St.
			
Rahmenrohrbau- gruppe 1 St.	Rad 2 St.	Sieb 1 St.	Regenabdeckung 1 St.
			

## SCHRITT 1: RÄDER MONTIEREN

1. Montieren Sie auf der linken Seite der Achse eine Radbuchse und ein Rad-distanzstück.
2. Setzen Sie ein Rad auf die Achse.
3. Montieren Sie die Unterlegscheibe F Ø16 auf die Achse, montieren Sie den Splint in der Bohrung, und befestigen Sie ihn, indem Sie die Enden umbiegen.
4. Montieren Sie auf der rechten Seite der Achse eine Radbuchse und ein Rad-distanzstück.
5. Setzen Sie ein Rad auf die Achse, richten Sie die Bohrungen aus, montieren Sie den Antriebsstift durch die Hülse und sichern Sie ihn.
6. Setzen Sie eine flache Unterlegscheibe Ø16 auf die Achse, montieren Sie den Splint in der Bohrung und befestigen Sie ihn, indem Sie die Enden umbiegen.

**HINWEIS:** Zum Anpassen des Abstands zwischen den Rädern stehen vier weitere flache Unterlegscheiben zur Verfügung.



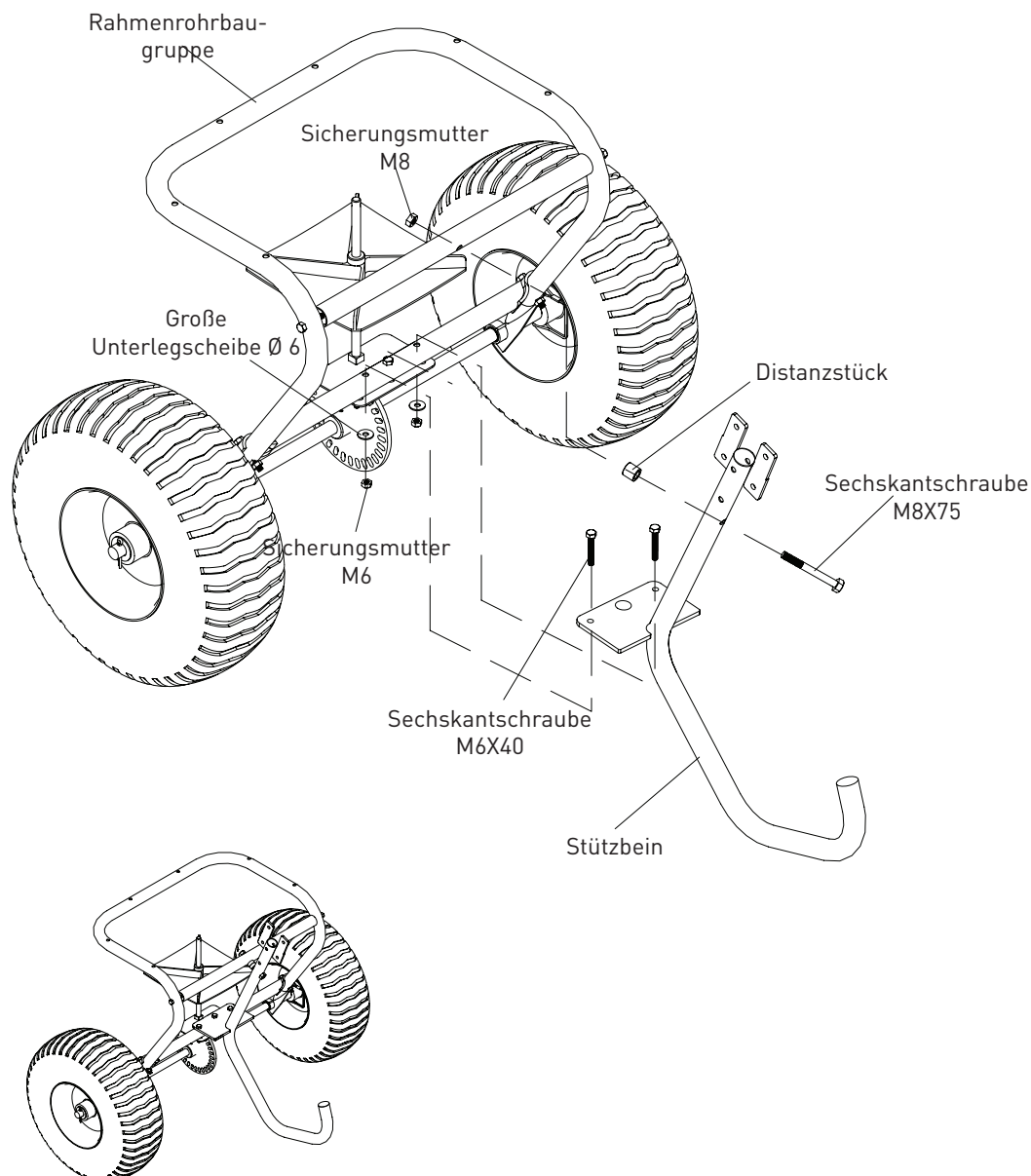


## SCHRITT 2: STÜTZBEIN MONTIEREN

1. Platzieren Sie das Stützbein so, dass das J-förmige Ende von der Radbaugruppe weg zeigt.
2. Montieren Sie die Sechskantschraube M8x75 in der oberen Bohrung im Stützbein und schieben Sie das Distanzstück über das Schraubenende.
3. Nehmen Sie das Stützbein, montieren Sie die Schraube in der oberen Querstange der Befestigungsbaugruppe und ziehen Sie die Sicherungsmutter M8 handfest.

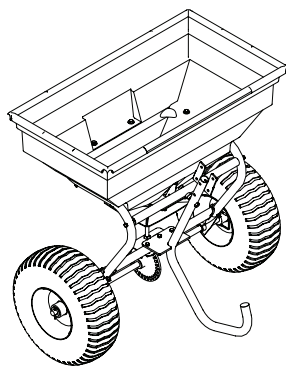
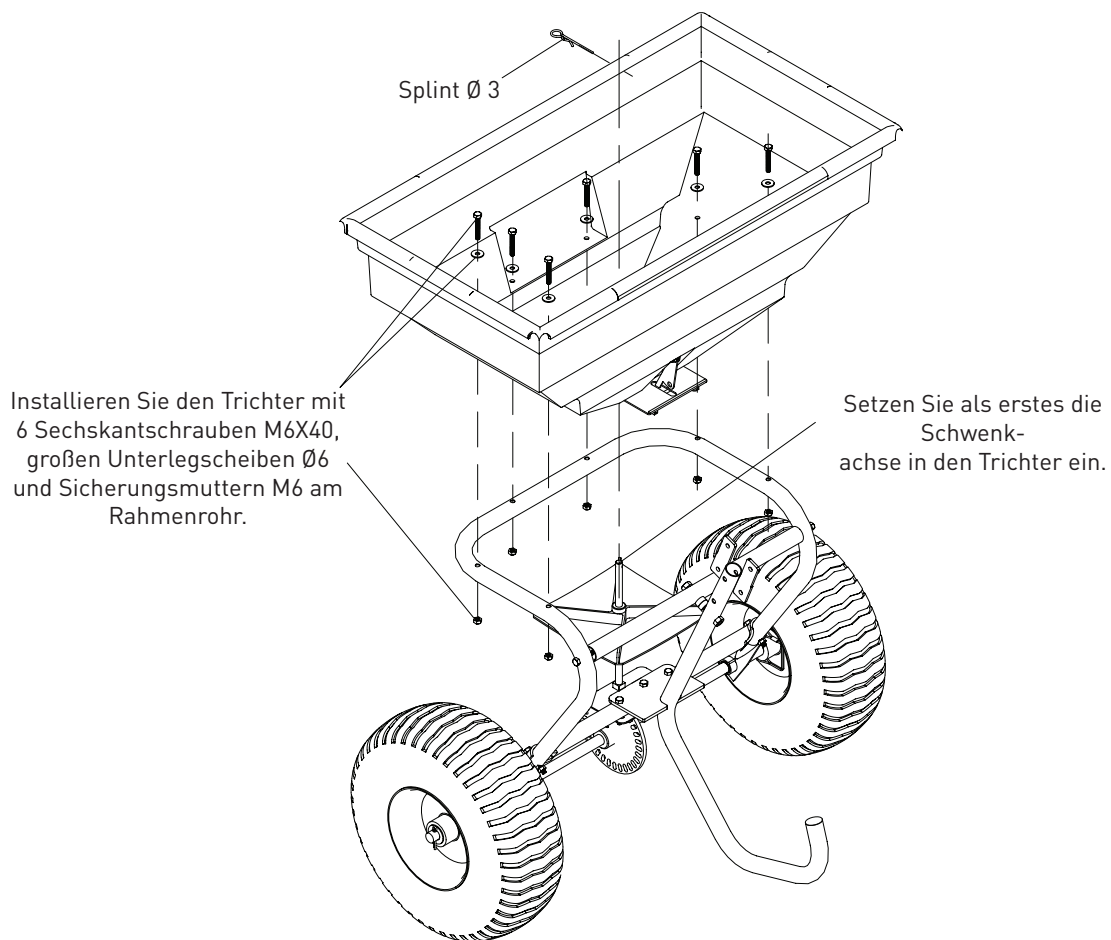
**HINWEIS:** Stellen Sie vor dem Festziehen der Schraube sicher, dass der Stützbeinflansch und die Bohrungen in der unteren Querstange richtig ausgerichtet sind.

4. Führen Sie die Sechskantschraube M6x40 durch die Bohrungen im Flansch und durch die Querstange. Verwenden Sie die große flache Unterlegscheibe  $\varnothing 6$  und die Sicherungsmutter M6, und ziehen Sie alle Befestigungsteile fest.



## SCHRITT 3: TRICHTER MONTIEREN

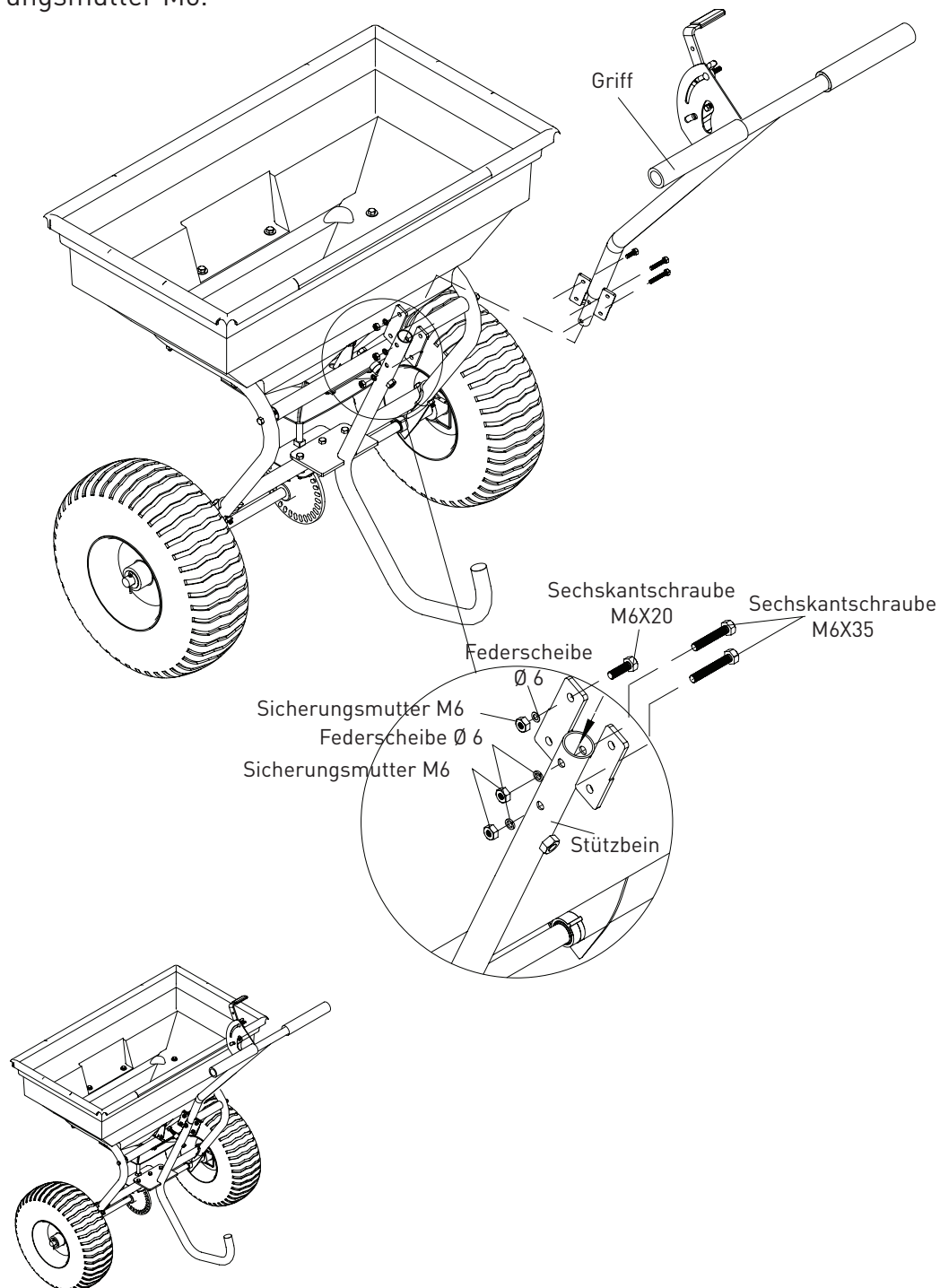
1. Setzen Sie den Trichter auf die Befestigungsbaugruppe, richten Sie die Bohrungen im Boden des Trichters sorgfältig an der Spindel in der Montageplatte der Achse aus.
2. Befestigen Sie den Trichter mit der Sechskantschraube M6x40 und der flachen Unterlegscheibe  $\varnothing 6$  sowie der Sicherungsmutter M6 an der Befestigungsbaugruppe.
3. Stellen Sie sicher, dass das Zahnrad und das Ritzel reibungslos ineinander greifen. Ändern Sie andernfalls die Einstellung, bis sich das Zahnrad und das Ritzel reibungslos drehen.
4. Ziehen Sie alle Befestigungsteile an der Wellenlagerungsplatte und am Trichter fest.
5. Führen Sie den Splint oben durch die Spindel ein.



DE

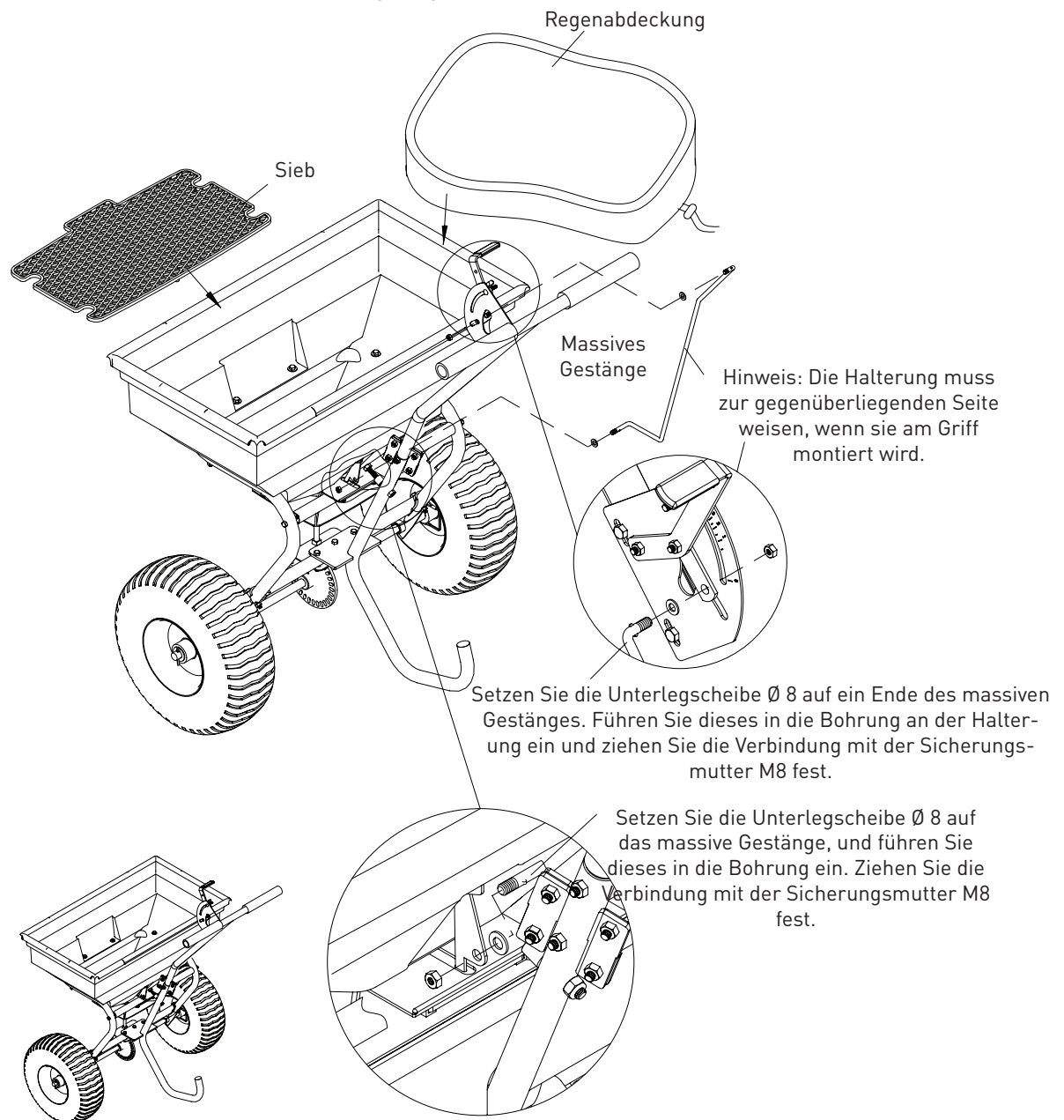
## SCHRITT 4: GRIFF MIT DEM STÜTZBEIN VERBINDEN

1. Schieben Sie das Griffrohr in den oberen Teil des Stützbeins und richten Sie die beiden Bohrungen aus.
2. Montieren Sie Sechskantschrauben M6x35 in den beiden Bohrungen am Stützbein, und befestigen Sie sie mit einer Federscheibe  $\varnothing 6$  und einer Sicherungsmutter M6.
3. Montieren Sie eine Sechskantschraube M6x20 in der Bohrung der Seitenplatte und befestigen Sie sie mit einer Federscheibe  $\varnothing 6$  und einer Sicherungsmutter M6.



## SCHRITT 5: MASSIVES GESTÄNGE VERBINDEN

1. Montieren Sie das massive Gestänge mit der flachen Unterlegscheibe  $\varnothing 8$  und einer Sicherungsmutter M8 in der unteren Befestigungsplatte.
2. Montieren Sie das massive Gestänge mit der flachen Unterlegscheibe  $\varnothing 8$  und einer Sicherungsmutter M8 mit der Durchsatzsteuerung.
3. Montieren Sie das Trichtersieb unten im Trichter.
4. Stellen Sie vor der Benutzung des Streuers sicher, dass alle Befestigungsteile festgezogen sind.
5. Verwenden Sie die Regenabdeckung je nach Bedarf, um das Material im Trichter zu schützen, wenn der Streuer gelagert wird.



DE

# BEDIENUNGSANLEITUNG

## WARNUNG

Lesen Sie vor der Benutzung des Streuers die folgenden Anweisungen und Sicherheitshinweise. Wenn Sie diese Anweisungen nicht befolgen, kann es zu Sachschäden oder Verletzungen des Anwenders oder unbeteiligter Personen kommen.

## DEN STREUER VERWENDEN

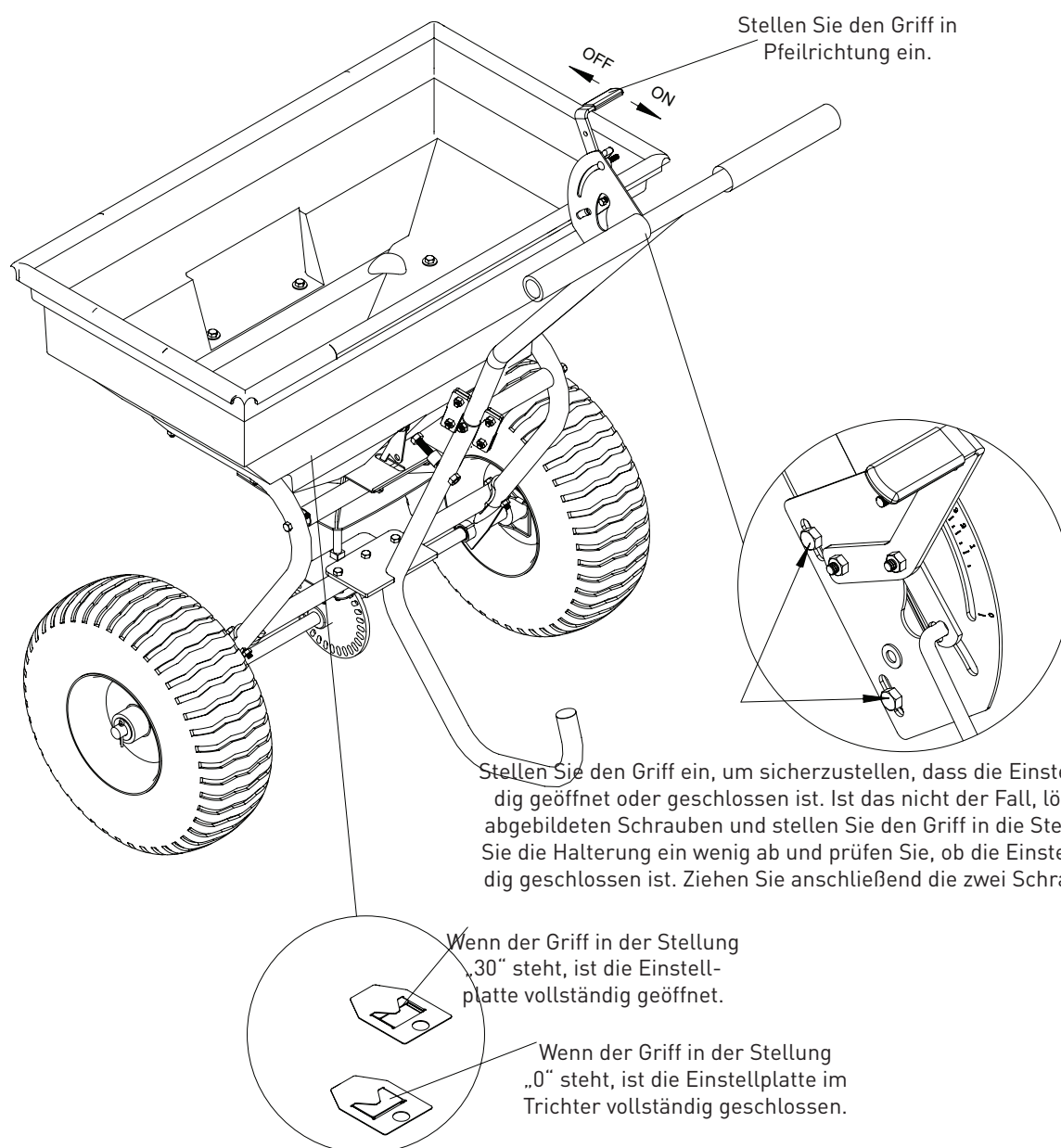
1. Inspizieren Sie den Streuer vor jeder Benutzung. Stellen Sie sicher, dass sich die Räder leicht drehen und dass sich das Getriebe bewegt, wenn der Streuer geschoben wird. Der Trichter muss sauber sein und darf keine Risse aufweisen.
2. Das Gerät eignet sich zum Streuen verschiedener Materialien (Dünger, Grassamen und Streusalz). Materialien wie Pulver, Mist, Humus, Kies und Mulch sind auf Grund ihrer physischen Eigenschaften nicht geeignet und dürfen in diesem Streuer nicht verwendet werden.
3. Benutzen Sie den Streuer nicht an windigen Tagen, wenn Sie Grassamen oder Herbizide streuen.
4. Ermitteln Sie die ungefähre Größe der zu bearbeitenden Fläche und schätzen Sie die Menge des benötigten Materials. Beachten Sie die Empfehlungen des Düngerherstellers. Lösen Sie Düngerklumpen beim Füllen des Trichters auf.
5. Stellen Sie sicher, dass sich der Durchsatzsteuerungshebel stets auf der Position „0“ befindet und die Durchsatzsteuerungsplatte geschlossen ist.
6. Stellen Sie den einstellbaren Anschlag mit dem Durchsatzsteuerungshebel stets auf die Position „0“. Schließen Sie die Durchsatzsteuerungsplatte jedes Mal, wenn Sie anhalten oder umkehren, um das Verteilen von Material zu stoppen, und fahren Sie dann fort. So verschwenden Sie kein Material und vermeiden ein Überdüngen des Rasens.
7. Beachten Sie den vom Düngerhersteller für die verschiedenen Produkte empfohlenen Deckungsgrad.
8. Um den Deckungsgrad aufrechtzuerhalten, wenn Sie mit einer abweichenden Geschwindigkeit gehen, passen Sie den Durchsatz an. Verringern Sie den eingestellten Durchsatz bei niedrigeren Geschwindigkeiten und erhöhen Sie ihn bei höheren Geschwindigkeiten.
9. Halten Sie die Flügelradplatte bei der Benutzung des Streuers horizontal. Wenn Sie den Streuer kippen, führt dies zu einer ungleichmäßigen Deckung.
10. Stellen Sie vor dem Benutzen des Streuers sicher, dass der Splint im Trichter montiert ist.
11. Öffnen Sie die Verschlussplatte erst, wenn Sie bereits gehen.
12. Schließen Sie die Durchsatzsteuerungsplatte stets, bevor Sie wenden oder den Streuer anhalten.
13. Wenn auf einer kleinen Fläche versehentlich zu viel Streumaterial abgegeben wurde, besprühen Sie die Fläche ausgiebig mit einem Gartenschlauch oder Rasensprenger, um ein Verbrennen des Rasens zu verhindern.
14. Um einen gleichmäßigen Deckungsgrad zu gewährleisten, stellen Sie sicher, dass jede Spur die vorherige Spur geringfügig überlappt.
15. Achten Sie beim Verteilen von Material darauf, dass beim Streuen keine immergrünen Bäume, Blumen oder Sträucher getroffen werden.
16. Bringen Sie nicht zu viel Streumaterial auf. Beachten Sie den für das jeweilige Produkt empfohlenen Deckungsgrad. Das Aufbringen von zu viel Material führt zu einer Beschädigung des Rasens und zur Bodenverunreinigung.

DE

# BEDIENUNGSANLEITUNG

## DURCHSATZ EINSTELLEN

1. Sie können den Griff in Pfeilrichtung nach oben bewegen, um die Streuereinstellung zu ändern. Wenn der Griff auf „30“ eingestellt wird, ist die Einstellplatte vollständig geöffnet; wenn er auf „0“ steht, ist er ganz geschlossen.
2. Lösen Sie die Flügelmutter an der Halterung und bewegen Sie den Griff des Einstellhebels je nach der gewünschten Materialmenge nach oben oder unten. Wenn Sie den Griff nach unten drücken, wird mehr Material abgegeben; wenn Sie ihn nach oben ziehen, wird der Durchsatz gestoppt.
3. Ziehen Sie die Flügelmutter fest, wenn die gewünschte Position erreicht ist.

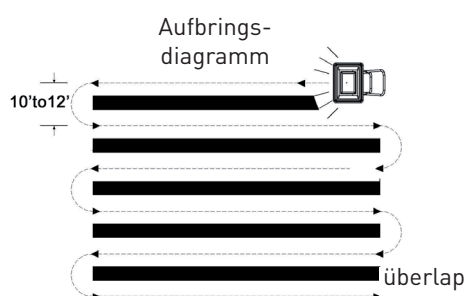


DE

# BEDIENUNGSANLEITUNG

## GLEICHMÄßIGE DECKUNG

Um eine gleichmäßige Deckung zu erreichen, muss jede Streuspur die vorherige leicht überlappen (siehe Abbildung unten). Die ungefähren Streubreiten für verschiedene Materialien sind im Aufbringungsdiagramm dargestellt.



### WARNUNG

Bringen Sie nicht zu viel Streumaterial auf. Beachten Sie den für das jeweilige Produkt empfohlenen Deckungsgrad. Das Aufbringen von zu viel Material führt zu Beschädigungen und Verunreinigungen. Wird das Streumaterial versehentlich zu stark aufgebracht, besprühen Sie die Fläche ausgiebig mit einem Gartenschlauch oder einem Rasensprenger, um ein Verbrennen des Rasens zu verhindern.



# STREUANLEITUNG

DE

## BENÖTIGTE MATERIALMENGE BERECHNEN

Um die für Ihre Rasenfläche benötigte Düngermenge zu berechnen, teilen Sie die auf dem Etikett angegebene Deckungsmenge durch das Gewicht des Düngemittelsacks. Mit einem 10-LB-Düngemittelsack mit einer Deckungsfläche von 10.000 Quadratfuß verteilen Sie z. B. 1 LB Dünger pro 1.000 Quadratfuß bei vollem Deckungsgrad oder 1/2 LB Dünger pro 1.000 Quadratfuß bei halbem Deckungsgrad. Vorab berechnete Deckungsgrade finden Sie in Tabelle A (Beispiel: 25-LB-Sack mit Deckungsfläche von 15.000 sq ft = 1,7 LB/1.000 sq ft). Verwenden Sie Tabelle B, um die passendste Streueinstellung zu finden (Beispiel: 1,7 LB/1000 sq ft = Streueinstellung 8).

**Tabelle A - Quadratfuß Deckung pro Sack\***

Gewicht des Sacks(LBS)	LBS/1.000 SQ FT		
	5.000 SQ FT DECKUNG	10.000 SQ FT DECKUNG	15.000 SQ FT DECKUNG
5	1,0 LB.	0,5 LB.	0,3 LB.
10	2,0 LB.	1,0 LB.	0,7 LB.
15	3,0 LB.	1,5 LB.	1,0 LB.
20	4,0 LB.	2,0 LB.	1,3 LB.
25	5,0 LB.	2,5 LB.	1,7 LB.
30	6,0 LB.	3,0 LB.	2,0 LB.
35	7,0 LB.	3,5 LB.	2,3 LB.
40	8,0 LB.	4,0 LB.	2,7 LB.
45	9,0 LB.	4,5 LB.	3,0 LB.
50	10,0 LB.	5,0 LB.	3,3 LB.
55	11,0 LB.	5,5 LB.	3,7 LB.

\*Dies sind lediglich Schätzwerte; die tatsächlichen Mengen können abweichen.

**Tabelle B - Streueinstellungen/Streubreiten**

STREUMITTEL	LBS/1.000	SPREADER SETTING	SMALL PARTICLE SPREAD	MEDIUM PARTICLE SPREAD	LARGE PARTICLE SPREAD
DÜNGER GRASSAMEN STREUSALZ	1	5	5-6 FT	6-9 FT	9-12 FT
	2	8	5-6 FT	6-9 FT	9-12 FT
	3	10	5-6 FT	6-9 FT	9-12 FT
	4	13	5-6 FT	6-9 FT	9-12 FT
	5	15	5-6 FT	6-9 FT	9-12 FT
	6	18	5-6 FT	6-9 FT	9-12 FT
	7	20	5-6 FT	6-9 FT	9-12 FT
	8	23	5-6 FT	6-9 FT	9-12 FT
	9	25	5-6 FT	6-9 FT	9-12 FT
	10	28	5-6 FT	6-9 FT	9-12 FT
	11	30	5-6 FT	6-9 FT	9-12 FT

**HINWEIS: VERWENDEN SIE KEIN SALZ.**

Das Salz beschädigt den Mechanismus und verkürzt die Lebensdauer des Geräts.

## WARTUNG UND LAGERUNG

### WARNUNG

Bei falscher Wartung und Lagerung des Schiebestreuers kann Ihr Gewährleistungsanspruch verloren gehen.

### WARTUNG

- Reinigen Sie den Trichter nach jeder Benutzung.
- Spülen/trocknen Sie den Streuer nach jeder Nutzung innen und außen.
- Stellen Sie vor jeder Benutzung sicher, dass die Reifen den EMPFOHLENEN DRUCK von 2 bar (30 psi) aufweisen.
- Prüfen Sie alle Befestigungsteile regelmäßig auf festen Sitz.
- Reinigen und schmieren Sie alle Teile jährlich.
- Bessern Sie zerkratzte oder verschlissene lackierte Metallflächen mit einem glänzenden Spritzlack aus.
- Überschreiten Sie niemals die Nennnutzlast des Streuers von 57 kg (125 lb), da der Streuer ansonsten beschädigt wird.

### WICHTIG:

Wenn ein Teil ersetzt werden muss, verwenden Sie nur Teile, die den technischen Spezifikationen des Herstellers entsprechen. Ersatzteile, die diesen Spezifikationen nicht entsprechen, können zu Sicherheitsrisiken oder fehlerhaftem Betrieb führen.

### LAGERUNG

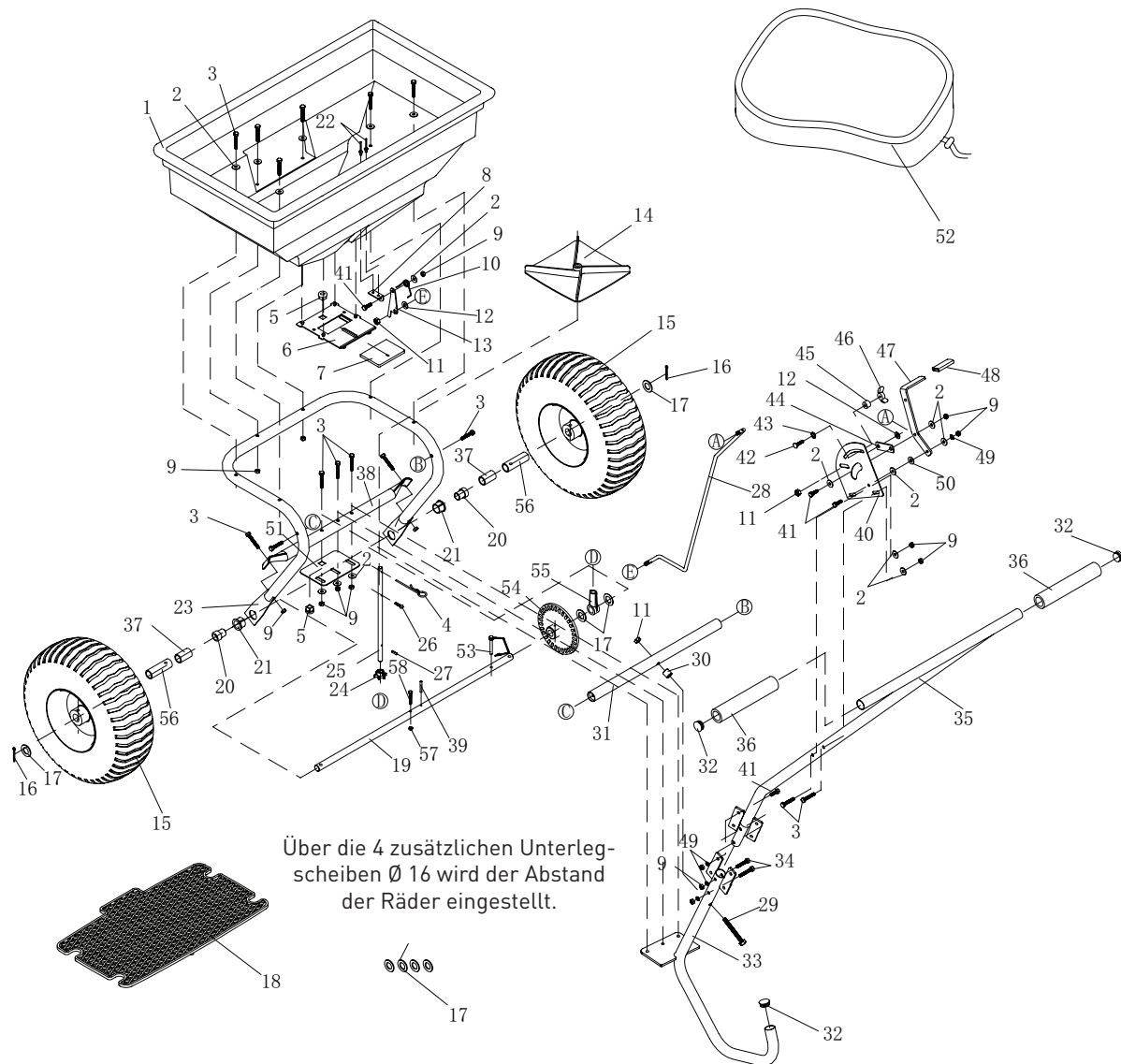
- Lassen Sie niemals Material über längere Zeit im Trichter.
- Stellen Sie vor der Lagerung sicher, dass der Streuer sauber und trocken ist, damit Sie ihn über Jahre störungsfrei verwenden können.
- Lagern Sie das Gerät bei schlechtem Wetter und während der Wintermonate drinnen oder in einem geschützten Bereich.

## TECHNISCHE DATEN

<b>Nutzlast:</b> 57 kg (125 lbs)
<b>Streuertyp:</b> Breitstreuer
<b>Trichtermaterial:</b> Polypropylen
<b>Trichterabmessungen:</b> 75 x 42 x 34 cm (29 1/2" x 16 1/2" x 13 1/2")
<b>Gesamtabmessungen:</b> 112 x 80 x 90 cm (44" x 31 1/2" x 35 1/2")
<b>Radgröße:</b> 38,1 cm (15")
<b>Reifendruck:</b> 2,1 bar (30 psi)
<b>Gerätgewicht:</b> 17,2 kg (38 lbs)

# EXPLOSIONSZEICHNUNG UND ERSATZTEILLISTE

DE





**DE**

Nr.	Beschreibung	Menge	Nr.	Beschreibung	Menge
1	Trichter	1	30	Distanzstück	1
2	Große flache Unterlegscheibe Ø6	16	31	Festes Querrohr	1
3	Sechskantschraube M6x40	15	32	Kunststoffkappe	3
4	Splint Ø3	1	33	Stützrohr	1
5	Lager	2	34	Sechskantschraube M6x35	2
6	Feste Einstellplatte	1	35	Griff	1
7	Aktive Einstellplatte	1	36	Griffabdeckung	2
8	Basis für Feder	1	37	Achsenbuchse	2
9	Sechskantsicherungsmutter M6	22	38	Querrohr	1
10	Feder	1	39	Federstift Ø4x30	1
11	Sechskantsicherungsmutter M8	3	40	Halterung	1
12	Flache Unterlegscheibe Ø8	2	41	Sechskantschraube M6x20	7
13	Befestigungsplatte für Verbindungsstange	1	42	Schlossschraube M6x25	1
14	Flügelrad	1	43	Zahnsicherungsscheibe Ø8	1
15	Rad	2	44	Verbindungsplatte	1
16	Splint Ø5x35	2	45	Distanzstück	1
17	Flache Unterlegscheibe Ø16	8	46	Flügelmutter M6	1
18	Sieb	1	47	Einstellgriff	1
19	Achse	1	48	Griffabdeckung	1
20	Innere Achsenbuchse	2	49	Federscheibe Ø6	7
21	Äußere Achsenbuchse	2	50	Nylonunterlegscheibe	1
22	Niet Ø5x8	2	51	Wellenlagerungsplatte	1
23	Rahmenrohrbaugruppe	1	52	Regenabdeckung	1
24	Ritzel	1	53	Antriebsstift	1
25	Schwenkachse	1	54	Antriebszahnrad	1
26	Schraube M4x20	1	55	Wellenlagerkappe	1
27	Federstift Ø3x16	1	56	Radbuchse	2
28	Massives Gestänge	1	57	Sechskantsicherungsmutter M5	1
29	Sechskantschraube M8x75	1	58	Sechskantschraube M5x40	1



# AVERTISSEMENT GÉNÉRAL

## Lire attentivement ce manuel avant toute utilisation de l'épandeur à pousser.

Il est important que l'utilisateur connaisse toutes les informations de sécurité, les avertissements, les consignes d'exploitation, d'entretien et d'entreposage avant d'utiliser cet équipement. A défaut de fonctionner et d'être entretenu correctement, l'épandeur pourrait causer des blessures graves à l'utilisateur ou aux passants.

### Avertissements

- Ne jamais transporter de passagers assis ou debout sur l'épandeur.
- A tenir hors de portée des enfants.
- Toujours s'assurer du bon fonctionnement de l'équipement avant de l'utiliser.
- Remplacer ou réparer immédiatement toutes pièces endommagées ou usées.
- Toujours contrôler le serrage du matériel et des pièces assemblées avant l'emploi.
- Ne pas dépasser la capacité de charge maximale de l'équipement, soit 56.7 kg.
- Eviter les surfaces non planes lors du transport de charges.
- Prudence au renversement de la charge lors de l'utilisation sur pentes raides.
- Ne pas pousser à proximité des ruisseaux, des fossés et des chemins publics.
- Ne pas utiliser l'épandeur en cas de vent fort pour épandre des semences de gazon ou d'herbicides.
- Toujours charger et décharger l'épandeur avec prudence.
- Ne jamais remorquer l'épandeur avec un véhicule motorisé.

### Danger d'écrasement et de coupure

- Toujours garder vos mains et vos pieds hors de portée des pièces en mouvement pendant l'utilisation du matériel.
- Toujours garder la zone de travail propre pendant le fonctionnement.
- Toujours porter un équipement de sécurité, une protection oculaire, des gants et des bottes de travail pendant le fonctionnement de l'épandeur.

#### AVERTISSEMENT

La liste des mises en garde, avertissements et instructions décrites dans ce manuel n'est pas exhaustive.





#### AVERTISSEMENT PROP 65

Ce produit contient des produits chimiques qui, selon l'état de Californie pourraient provoquer des cancers, des malformations congénitales ou autres problèmes de reproduction.

### Montage

Ce produit doit être assemblé avant son utilisation. Voir «Assemblage» pour les instructions. En raison du poids et de la taille de l'épandeur, il est recommandé qu'un autre adulte soit présent pour aider à l'assembler. **CONTROLLER ATTENTIVEMENT TOUTES LES PIÈCES** avant l'assemblage pour s'assurer qu'aucune pièce ne manque ou est endommagée.

## DÉFINITIONS DES SIGNAUX DE DANGER

	Ceci est le symbole de sécurité. Il est utilisé pour vous alerter des risques potentiels de blessure. Respectez tous les messages de sécurité accompagnant ce symbole afin d'éviter d'éventuelles blessures ou la mort.
 <b>DANGER</b>	DANGER indique une situation extrêmement dangereuse qui pourrait entraîner la mort ou de graves blessures, si elle n'est pas évitée.
 <b>AVERTISSEMENT</b>	AVERTISSEMENT indique une situation potentiellement dangereuse qui pourrait entraîner la mort ou de graves blessures, si elle n'est pas évitée.
 <b>ATTENTION</b> <b>ATTENTION</b>	ATTENTION indique une situation potentiellement dangereuse qui, pourrait entraîner des blessures plus ou moins graves, si elle n'est pas évitée.
	ATTENTION utilisé sans le symbole d'alerte de sécurité indique une situation potentiellement dangereuse qui pourrait entraîner des dommages matériels, si elle n'est pas évitée.

### À PROPOS DE VOTRE ÉPANDEUR

Cet épandeur à pousser est conçu pour épandre un large éventail de matières (engrais, semences et fonte de glace). Les matériaux tels que les poudres, le fumier, la terre végétale, le gravier et le paillis n'ont pas les caractéristiques physiques pour l'emploi de cet équipement et ne devraient pas être utilisés avec cet épandeur. Ne jamais dépasser la capacité nominale de 56.7 kg pendant le fonctionnement de l'épandeur.

Votre épandeur doit être poussé à 5 km/h soit une vitesse de marche rapide. Une vitesse plus lente ou plus rapide changera la dispersion. La propagation de matériau mouillé changera également la dispersion ainsi que le débit. Nettoyez votre épandeur méticuleusement après chaque utilisation. Lavez la partie entre la plaque d'arrêt et le fond de la trémie.

Les informations techniques de l'épandeur à pousser sont fournies dans la rubrique "Données techniques".

## COMMANDES ET CARACTÉRISTIQUES

Pour se familiariser avec l'emplacement et la fonction de chaque commande et caractéristiques de l'épandeur, lire attentivement ce manuel sur l'utilisation de l'épandeur à pousser. Conserver ce manuel pour toute utilisation future.



1. **Poignée**
2. **Régulateur de Débit** - Contrôle le débit des matières dispersées.
3. **Trémie** - Ne pas dépasser la capacité de charge nominale de 56.7 kg.
4. **Pneus / Roues** - Ne pas dépasser la recommandation nominale de 30 PSI.
5. **Impulseur** - distribue uniformément le produit.
6. **Pied de Support** - Stabilise la charge et l'épandeur.

### ATTENTION

Lisez et suivez toutes les instructions pour l'assemblage et le fonctionnement. Si l'équipement n'est pas assemblé correctement, vous risquez de causer de graves blessures à l'utilisateur ou aux passants, ou causer des dommages à l'équipement.

## PIECES ET ASSEMBLAGE DE L'EPANDEUR À POUSSER

Sortez chaque pièce de la boîte et assurez-vous qu'il n'y a pas de pièces manquantes avant de commencer à assembler l'épandeur. Suivez les étapes 1 à 5.

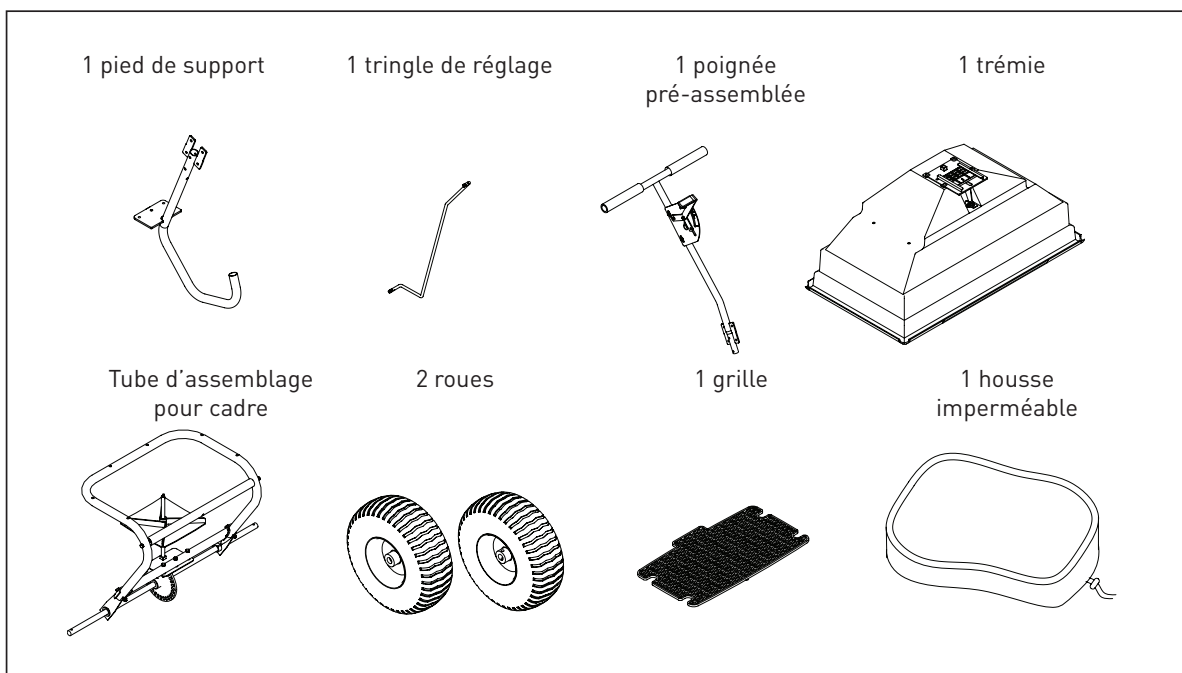
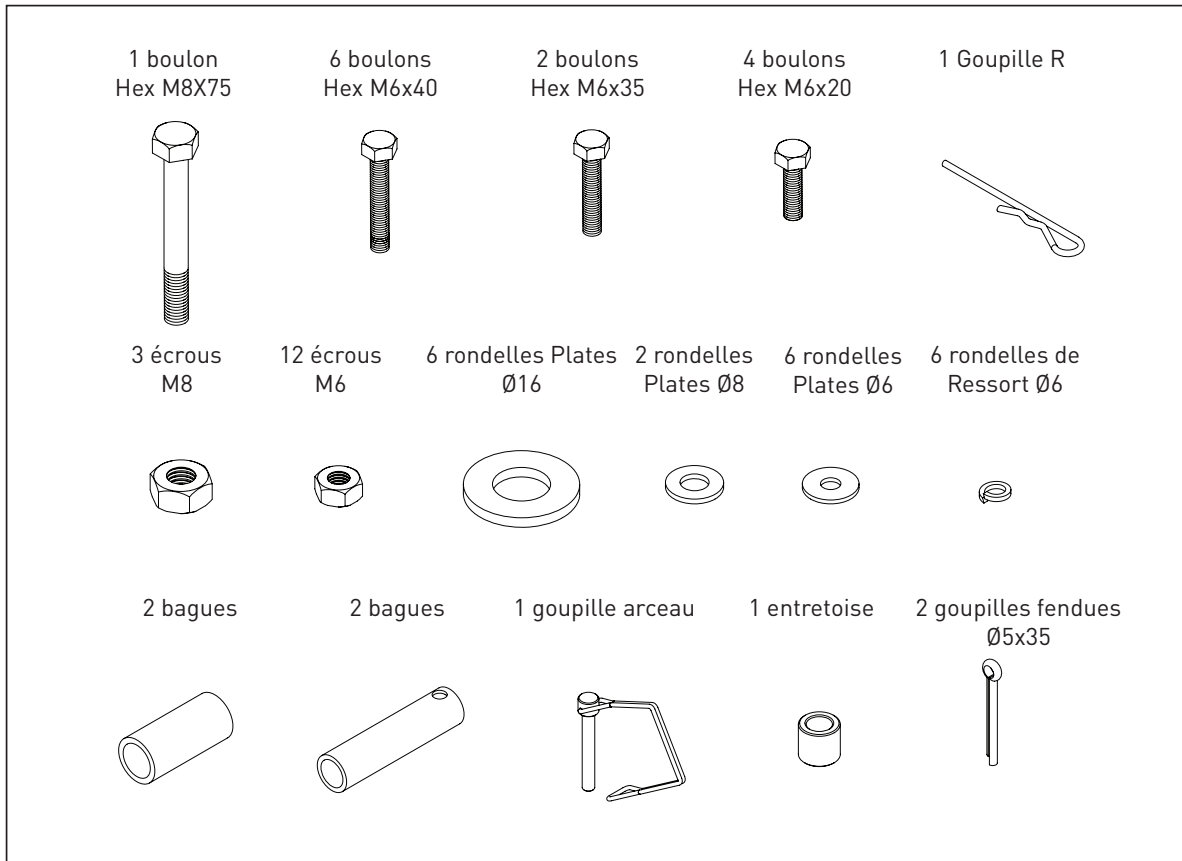
### OUTILS REQUIS

- Jeu de pinces (2)
- Clés de 8 mm et 10 mm (2 de chaque)
- Clés de 13 mm et 14 mm (1 de chaque)
- Clé de 13 mm
- Clé de 14 mm



# PIECES ET ASSEMBLAGE DE L'EPANDEUR À POUSSER

## Liste des pièces à assembler

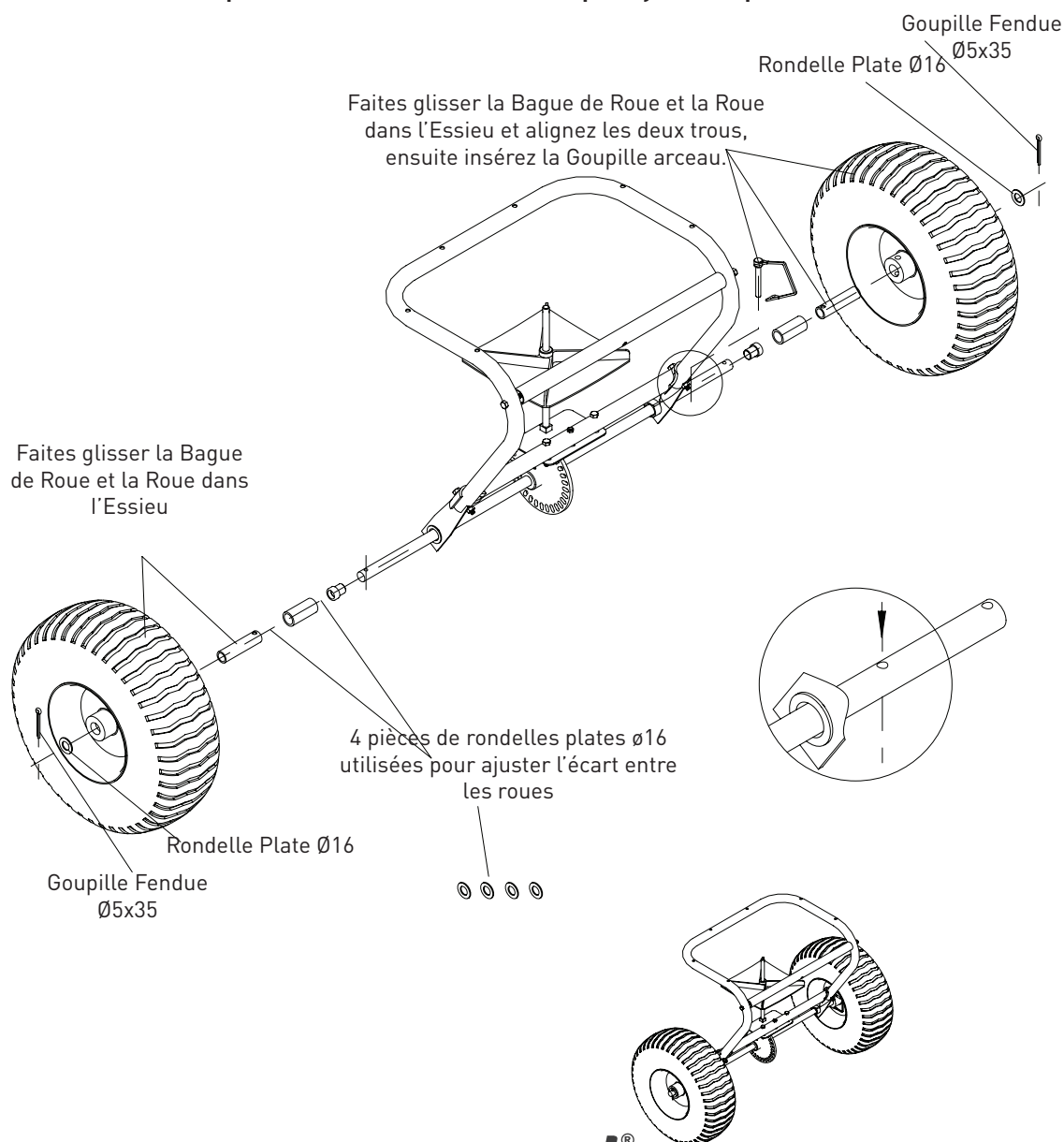


# PIÈCES ET ASSEMBLAGE DE L'ÉPANDEUR À POUSSER

## Étape 1

1. Faites glisser la bague d'essieu et l'entretoise de roue sur le côté gauche de l'essieu.
2. Poussez la roue gauche sur l'essieu.
3. Glissez la rondelle Ø16 sur l'essieu, puis insérez la goupille fendue Ø3x25 dans le trou de l'essieu. Fixez la roue en courbant la goupille fendue Ø5x35.
4. Faites glisser la bague d'essieu et l'entretoise de roue sur le côté droit de l'essieu.
5. Installez la roue et l'entretoise dans l'essieu, pivotant les deux trous jusqu'à ce qu'ils s'alignent, insérez la goupille moletée à cartouche dans la manche et serrez.
6. Enfilez la rondelle plate Ø 16 sur l'extrémité de l'essieu, puis insérez la goupille fendue Ø3x25 dans le trou de l'essieu. Fixez la roue en courbant la goupille fendue Ø5x35 dans l'axe. Sécurisez la roue avec 1 goupille Ø3x25.

**NOTE :** Quatre rondelles plates additionnelles sont données pour ajuster l'espace entre les roues.



FR

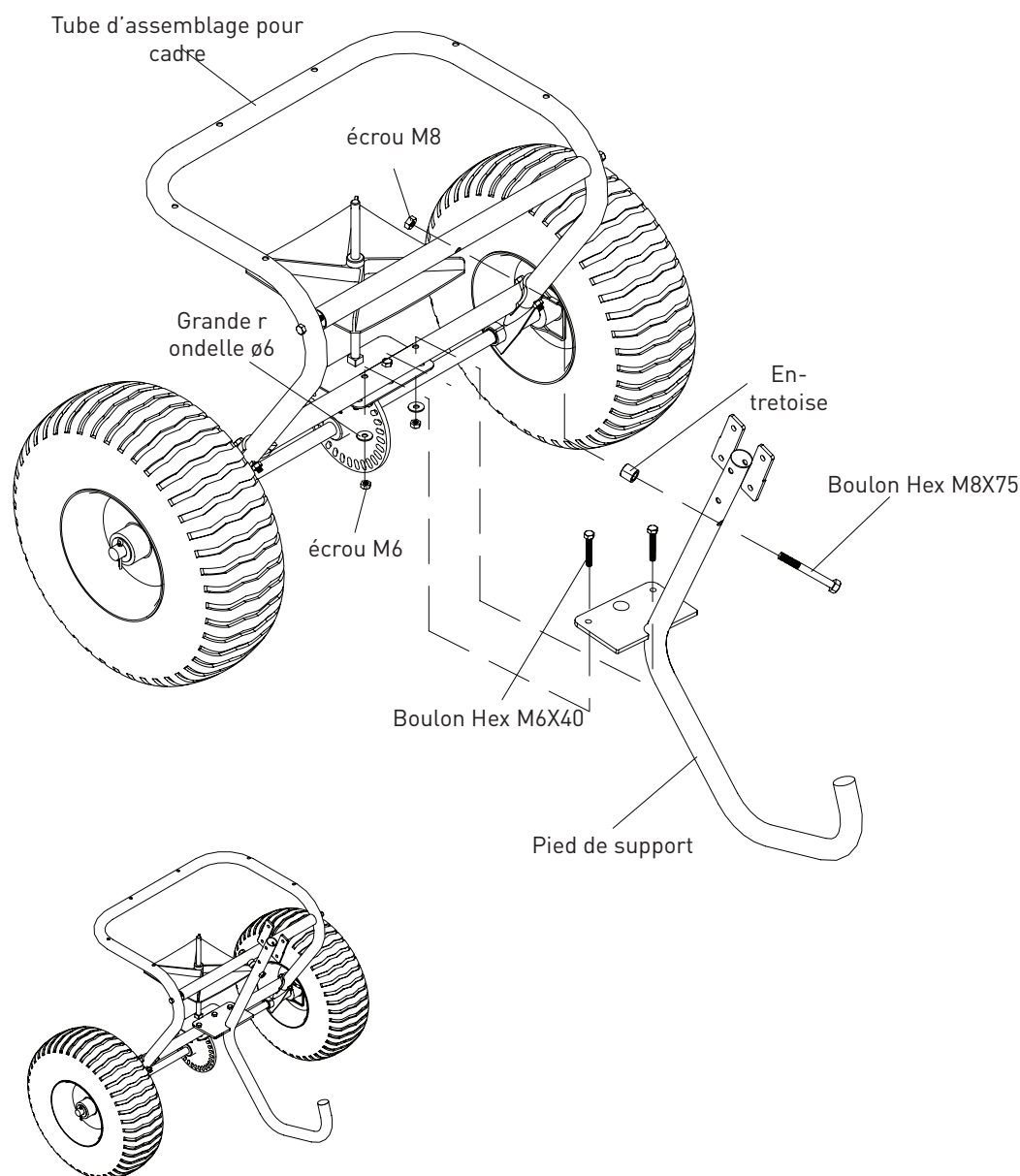
## PIÈCES ET ASSEMBLAGE DE L'ÉPANDEUR À POUSSER

### Étape 2 : Assemblage du pied de support

1. Positionnez le Pied de Support afin que la partie en forme J pointe vers la direction opposée de l'assemblage de roue.
2. Glissez le boulon hex M8x75 à travers le trou dans la partie supérieure du pied de support. Faites glisser l'entretoise sur le boulon hex, puis insérez le boulon hex dans le trou sur la barre transversale supérieure du tube de montage. Fixez avec un écrou M8.
3. Placez la bride du pied de support au dessus du trou dans la barre transversale inférieur de l'ensemble de montage.

**NOTE : Avant de serrer le boulon assurez-vous que la bride de jambe de soutien et les trous inférieurs de barre de traverse sont alignés.**

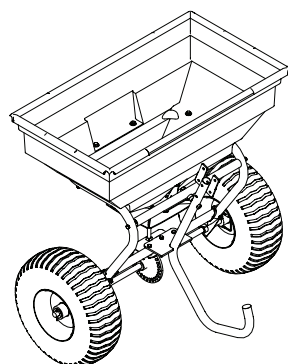
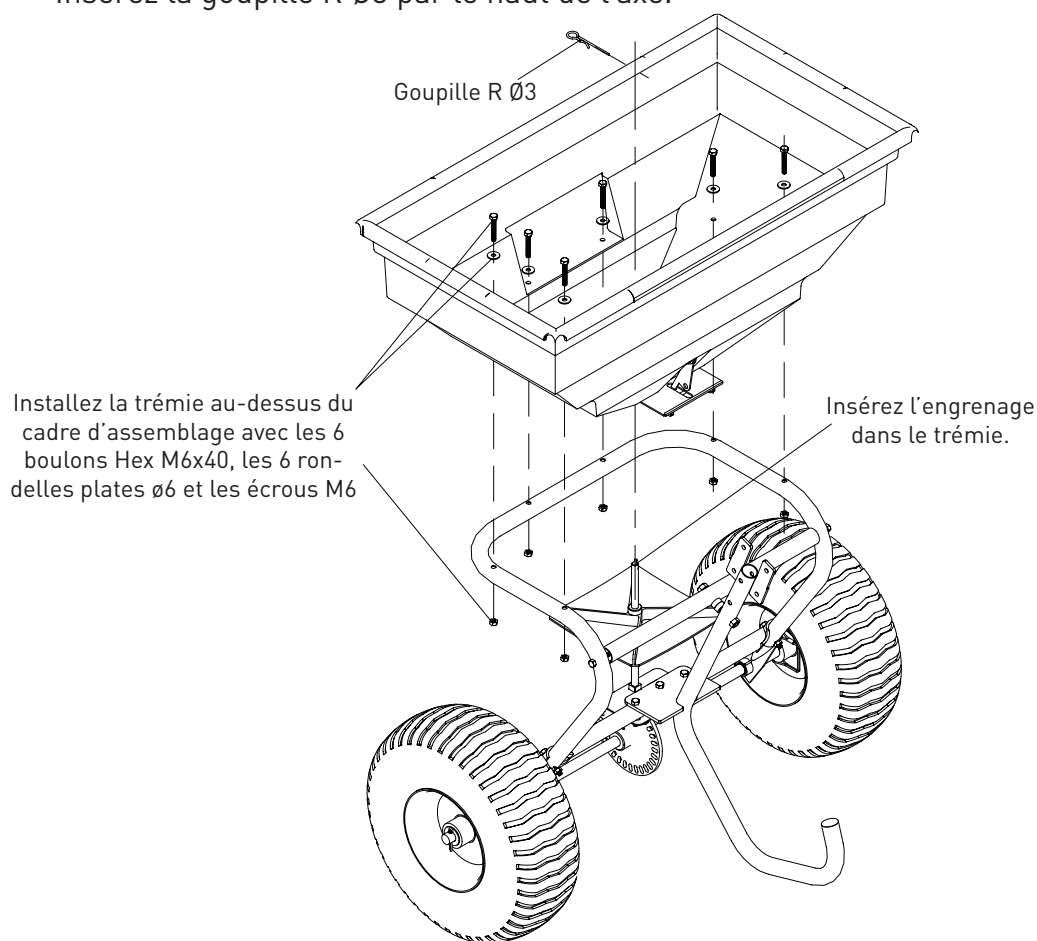
4. Insérez un boulon hex M6 x 40 dans la bride et à travers la barre transversale. Mettez la grande rondelle plate  $\varnothing 6$  et le écrou M6 sur le boulon. Ne serrez pas la quincaillerie.



# PIÈCES ET ASSEMBLAGE DE L'ÉPANDÉUR À POUSSER

## Étape 3 : Installation de la trémie

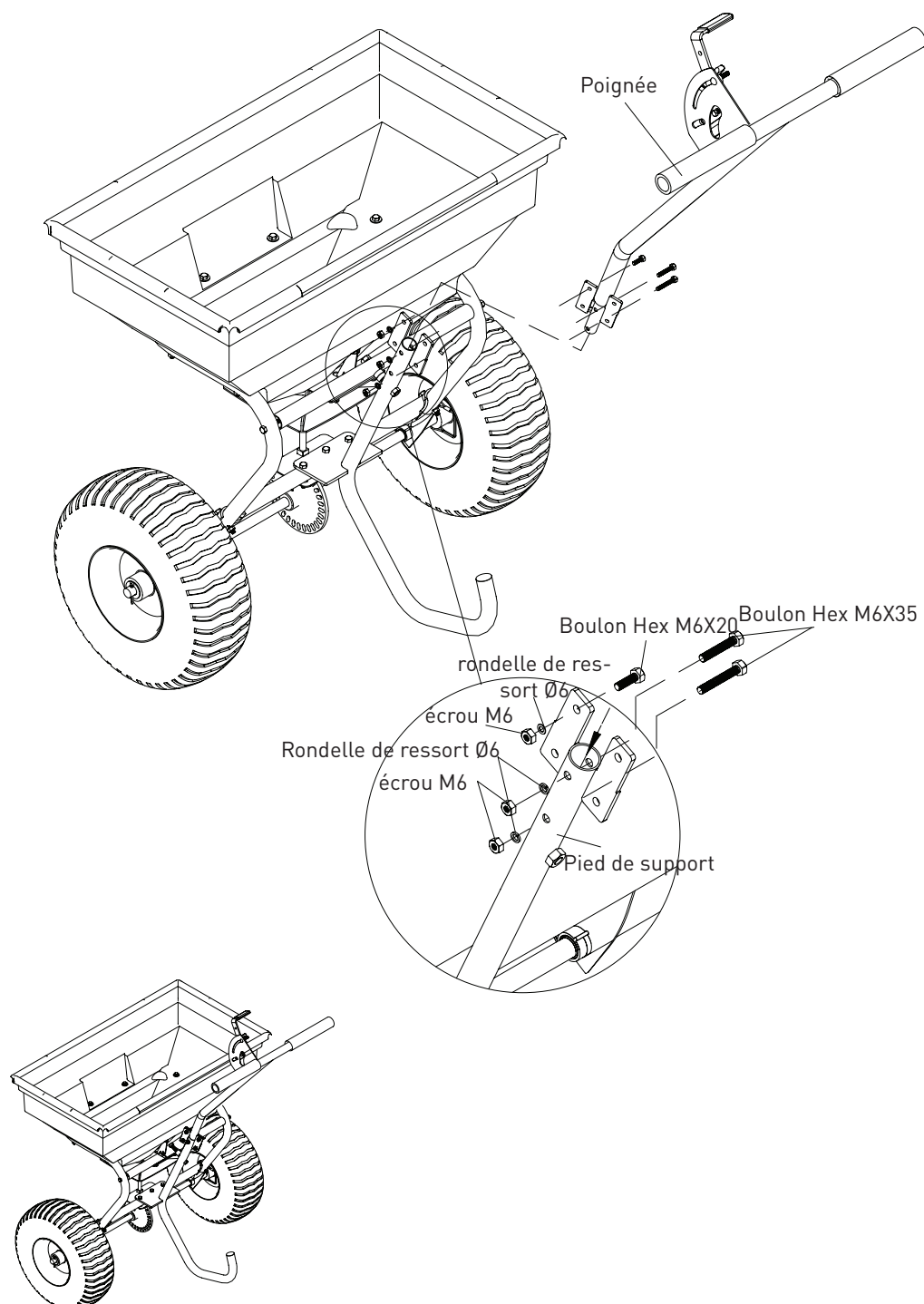
1. Abaissez la trémie dans l'ensemble de montage en alignant soigneusement le trou dans le fond de la trémie avec l'axe dans la plaque de montage de l'essieu.
2. A l'aide de six boulons hex M6 x 40 et six rondelles plates Ø6, installez la trémie à l'ensemble de montage en faisant passer les boulons par la trémie et le tube de montage. Fixez avec des écrous M6.
3. Assurez-vous que l'engrenage et l'engrenage de pignons fonctionnent en douceur.
4. Ensuite serrez toute la quincaillerie sur la plaque de support d'arbre et de la trémie.
5. Insérez la goupille R Ø3 par le haut de l'axe.



# PIÈCES ET ASSEMBLAGE DE L'ÉPANDEUR À POUSSER

## Étape 4 : Connexion de la poignée au pied de support

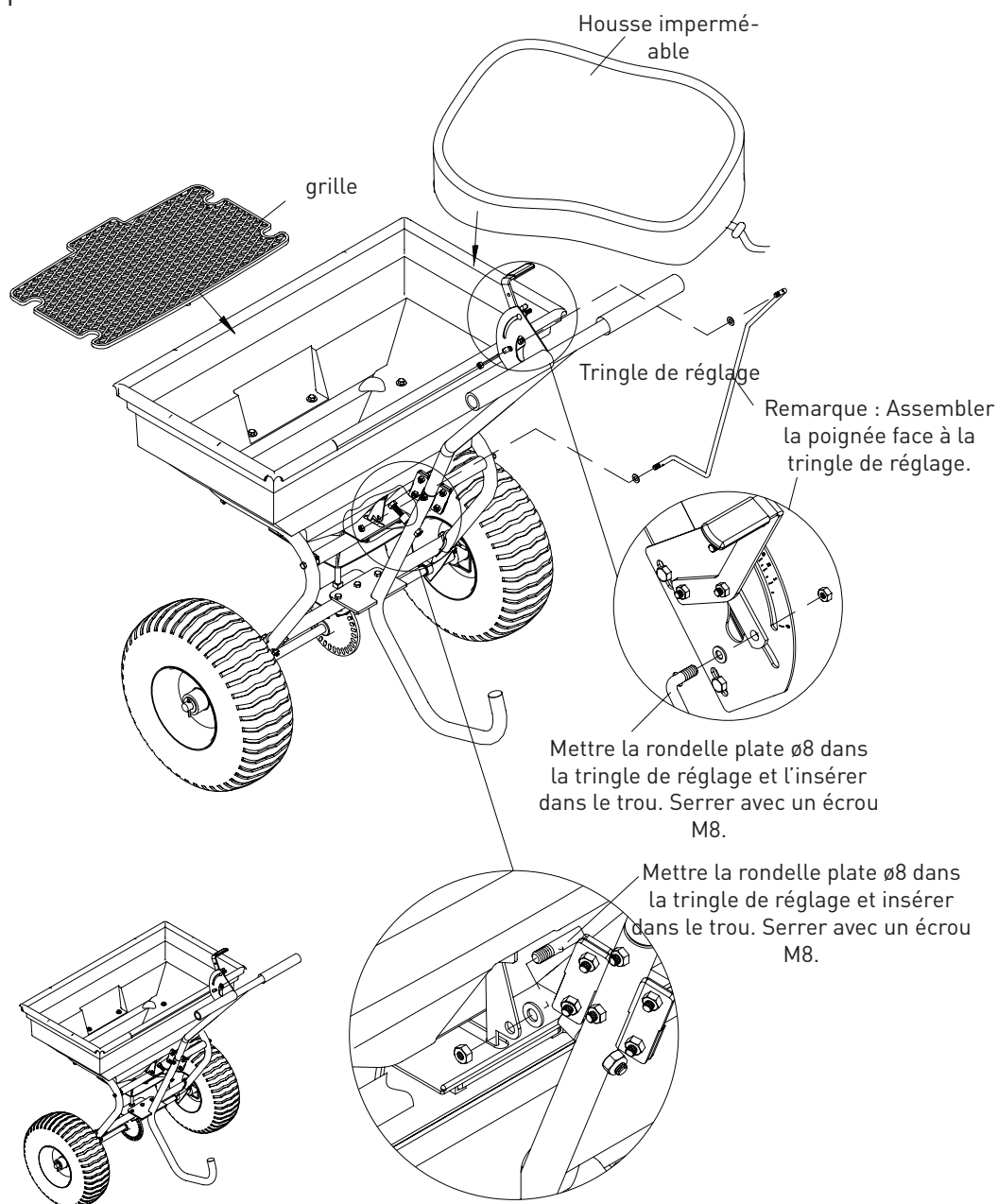
1. Faites glisser la partie inférieure du tube de la poignée dans la partie supérieure du pied de support et alignez les deux trous.
2. Insérez deux boulons à tête hexagonale M6x35 dans les deux trous sur le pied de support et serrez avec des rondelles de ressort Ø6 et des contre-écrous M6.
3. Ensuite insérez quatre boulons à tête hex M6x20 dans les trous sur la plaque et serrez avec des rondelles à ressort Ø6 et des contre-écrous M6.



# PIÈCES ET ASSEMBLAGE DE L'ÉPANDÉUR À POUSSER

## Étape 5 : Montage de la commande de réglage

1. Mettez une rondelle plate Ø8 au fond de la tringlerie solide et insérez dans le trou au fond de la plaque fixe. Serrez avec un écrou M8
2. Mettez une rondelle plate Ø8 sur une autre extrémité de la tringlerie solide et faites-la glisser dans le trou du support. Serrez avec un écrou M8.
3. Installez l'écran de distributeur dans le fond du distributeur.
4. Avant d'utiliser l'écarteur assurez-vous que toute visserie est serrée.
5. Utilisez la housse imperméable pour protéger le produit dans le distributeur ou quand l'écarteur est stocké.



FR

## MODE D'EMPLOI

### AVERTISSEMENT

Avant d'utiliser l'épandeur, réviser les instructions ci-dessous et les informations de sécurité. A défaut de suivre ces instructions, l'épandeur pourrait causer des dommages matériels ou des blessures à l'utilisateur ou aux passants.

### UTILISATION DE VOTRE EPANDEUR

1. Inspectez votre épandeur avant chaque utilisation. Assurez-vous que les roues tournent facilement, et la boîte de vitesse se déplace lorsque l'épandeur est poussé. La trémie doit être propre et exempt de fissures.
2. Déterminez la superficie approximative de la zone à couvrir et estimez le montant de produit nécessaire. Veuillez vous référer à la recommandation du fabricant d'engrais. Cassez tout engrais grumeleux quand vous remplissez la trémie.
3. Avant de remplir la trémie, assurez-vous que le levier de débit est en position «0» et que la plaque de contrôle de débit est fermée.
4. Réglez l'arrêt réglable avec le levier de contrôle de débit toujours dans la position "0". Chaque fois que vous êtes prêt à arrêter ou à faire demi-tour, fermez la plaque de contrôle de débit pour arrêter la dispersion du produit et faites encore un pas vers l'avant. Cela réduira les déchets et évitera d'endommager la pelouse avec une couverture de produits sursaturé.
5. Suivez le taux de couverture recommandée par les fabricants d'engrais pour chaque produit.
6. Pour conserver la même couverture lors de la marche à une vitesse différente, ajuster le taux de débit. Réduisez le réglage de l'écoulement pour des vitesses plus lentes et augmentez le réglage de l'écoulement pour des vitesses plus élevées.
7. Gardez la plaque de l'impulseur en position horizontale lors du fonctionnement de l'épandeur. L'inclinaison de l'épandeur produira une couverture inégale.
8. Assurez-vous que la goupille R est installée dans la trémie avant de commencer l'épandage.
9. Commencez toujours à marcher avant d'ouvrir la plaque de fermeture.
10. Fermez toujours la plaque de contrôle de débit avant de tourner ou d'arrêter l'épandeur.
11. Si, vous déposez accidentellement trop de produit pour l'épandage dans une petite zone, faites tremper la zone à fond avec un tuyau d'arrosage afin d'éviter de brûler la pelouse.
12. Pour avoir une couverture uniforme, assurez-vous que chaque modèle de diffusion dépasse légèrement le modèle de diffusion précédent.
13. Lorsque vous diffusez le produit d'épandage, assurez-vous que le modèle de diffusion ne touche pas les arbres, les fleurs ou les arbustes.
14. Ne pas trop appliquer de produit d'épandage. Suivez le taux de couverture recommandé pour chaque produit. Une application excessive pourrait endommager la pelouse et causer la contamination.

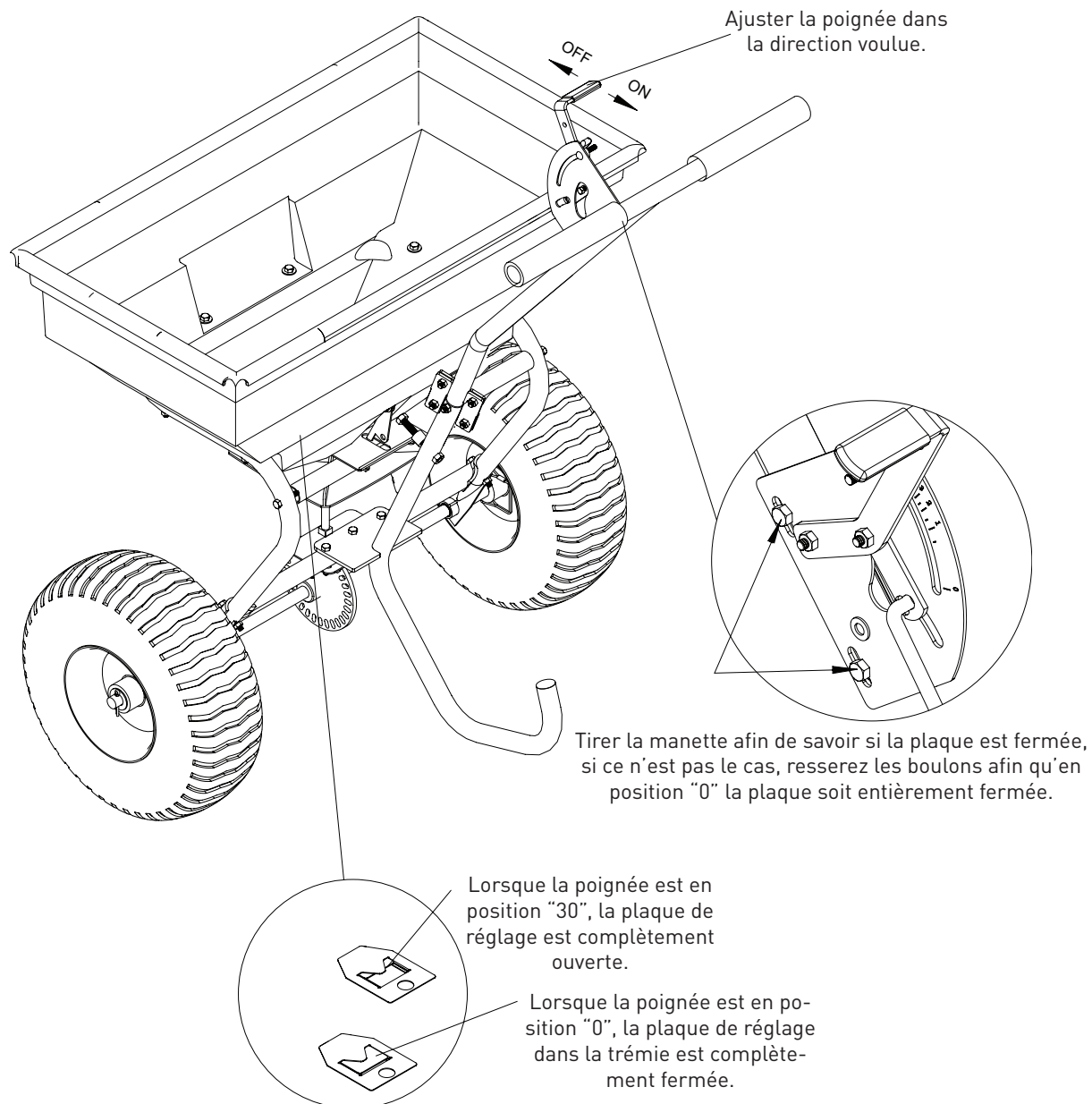
FR



# INSTRUCTIONS

## AJUSTEMENT DU DEBIT

1. Vous pouvez lever la poignée pour ajuster le réglage de l'épandeur en suivant la direction de la flèche. La plaque ajustable est entièrement ouverte lorsque la poignée atteint "30", et est entièrement fermée quand elle passe à «0».
2. Desserrez l'écrou à ailettes sur le support et déplacez la poignée d'ajustement vers le haut ou vers le bas en fonction de la quantité de matériaux nécessaires. En poussant la poignée vers le bas vous relâchez plus de produit et en tirant la poignée vers le haut vous arrêterez entièrement le débit.
3. Serrez l'écrou à ailettes lorsque la position désirée est atteinte.

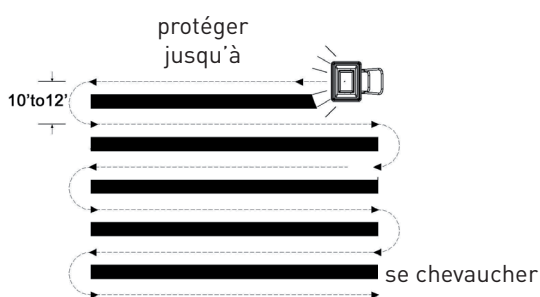


FR

# INSTRUCTIONS

## COUVERTURE UNIFORME

Pour assurer une couverture uniforme, assurez-vous que chacun de vos modèles de diffusion dépasse légèrement le modèle de diffusion précédent, comme le montre la figure ci-dessous. Les largeurs de diffusion approximatives des différents matériaux sont indiquées dans le tableau d'application.



### AVERTISSEMENT

Ne pas trop appliquer de produit d'épandage. Suivez le taux de couverture recommandé pour chaque produit. Une application excessive pourrait endommager la pelouse et causer une pollution. Si, vous déposez accidentellement trop de produit d'épandage dans une petite zone, faites tremper la zone à fond avec un tuyau d'arrosage afin d'éviter de brûler la pelouse.

## MODE D'EPANDAGE

### Calcul du volume de produit nécessaire

Pour calculer la quantité d'engrais dont vous aurez besoin pour couvrir votre pelouse, divisez le montant de la couverture qui figure sur l'étiquette par le poids du sac d'engrais. Par exemple, un sac de 4.54 kg. d'engrais avec une couverture de 929 m<sup>2</sup> distribuera 0.45 kg. d'engrais pour chaque 92.90 m<sup>2</sup> à plein taux. Pour les taux pré-calculés voir le tableau A (Exemple: un sac de 11.34 kg. avec 1394 m<sup>2</sup> de couverture = 0.7791 /92.90 m<sup>2</sup>). Utilisez le tableau B pour trouver le réglage d'épandage le plus proche (Exemple: 0.7791 /92.90 m<sup>2</sup> = Réglage de l'épandeur = 8).

**Tableau A- Couverture de m<sup>2</sup>/ sac**

POIDS DE SAC(KG)	Kg/ 92,90 m <sup>2</sup>		
	COUVERTURE DE 465 M <sup>2</sup>	Couverture de 929 m <sup>2</sup>	Couverture de 1393.54 m <sup>2</sup>
2.27	0.45	0.23	0.1361
4.54	0.91	0.45	0.3175
6.8	1.4	0.68	0.4536
9.1	1.8	0.91	0.5897
11.34	2.3	1.13	0.7791
13.6	2.7	1.36	0.9072
15.4	7.0 LB. ???	1.59	1.0432
18.1	3.6	1.81	1.2247
20.2	4.1	2	1.3608
22.7	4.5	2.3	1.4968
25	5	2.5	1.6783

\*Ce tableau est seulement une estimation, les montants réels peuvent varier.

**Tableau B- Réglage de l'épandeur/ Largeur de Couverture**

USAGES MULTIPLES	KG/92,90 M <sup>2</sup>	REGLAGE DE L'EPANDEUR	EPANDAGE DE PETITES PARTICULES	EPANDAGE DE PARTICULES MOYENNES	EPANDAGE DE LARGES PARTICULES
ENGRAIS SEMENCE FONTE DE GLACE	0.45	5	1.5 m - 1.8 m	1.8 m - 2.74 m	2.74 m - 3.6574 m
	0.90	8	1.5 m - 1.8 m	1.8 m - 2.74 m	2.74 m - 3.6574 m
	1.36	10	1.5 m - 1.8 m	1.8 m - 2.74 m	2.74 m - 3.6574 m
	1.81	13	1.5 m - 1.8 m	1.8 m - 2.74 m	2.74 m - 3.6574 m
	2.27	15	1.5 m - 1.8 m	1.8 m - 2.74 m	2.74 m - 3.6574 m
	2.72	18	1.5 m - 1.8 m	1.8 m - 2.74 m	2.74 m - 3.6574 m
	3.17	20	1.5 m - 1.8 m	1.8 m - 2.74 m	2.74 m - 3.6574 m
	3.63	23	1.5 m - 1.8 m	1.8 m - 2.74 m	2.74 m - 3.6574 m
	4.08	25	1.5 m - 1.8 m	1.8 m - 2.74 m	2.74 m - 3.6574 m
	4.54	28	1.5 m - 1.8 m	1.8 m - 2.74 m	2.74 m - 3.6574 m
4.99	30	1.5 m - 1.8 m	1.8 m - 2.74 m	2.74 m - 3.6574 m	

**NOTE: NE PAS UTILISER DE SEL.** L'emploi de sel dans cet épandeur endommagera le mécanisme et raccourcira la vie de la machine.

## ENTRETIEN ET ENTREPOSAGE

### AVERTISSEMENT

L'entretien et l'entreposage inadéquat de l'épandeur pourrait annuler votre garantie

### ENTRETIEN

- Nettoyez la trémie de tout produit après chaque usage.
- Rincez et séchez l'intérieur et l'extérieur de l'épandeur après chaque usage.
- Avant d'utiliser l'épandeur, assurez-vous que les pneus ont la **PRESSION RECOMMANDÉE DE 30 PSI**.
- Vérifiez périodiquement que toutes les attaches sont bien renforcées.
- Nettoyez et lubrifiez légèrement les pièces annuellement.
- Utilisez une peinture d'émail lustré en aérosol pour retoucher les surfaces en métal égratignées ou usées.
- Ne jamais dépasser la capacité de charge maximum de 56 kg, vous risquerez d'endommager l'épandeur.

### IMPORTANT:

Si une pièce doit être remplacée, utilisez uniquement des pièces qui répondent aux spécifications du fabricant. L'emploi des pièces qui ne répondent pas aux spécifications pourrait causer un danger de sécurité ou nuire au fonctionnement de l'épandeur.

### ENTREPOSAGE

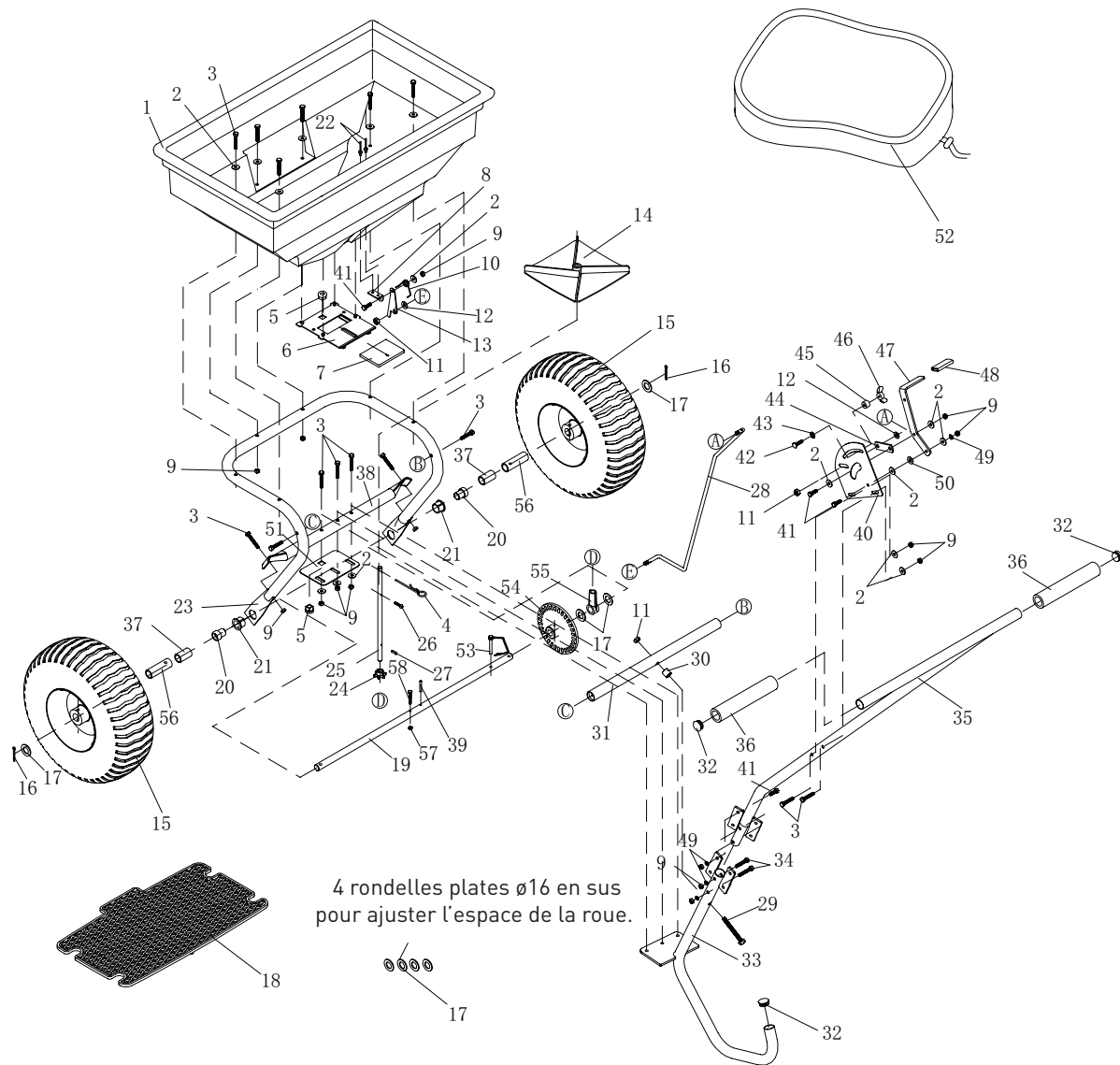
- Ne jamais laisser de produit dans l'épandeur pour une période de temps prolongée.
- Avant d'entreposer, assurez-vous que l'épandeur est propre et sec pour des années d'utilisation sans problèmes.
- Entreposez à l'intérieur ou dans une zone protégée des intempéries et des mois d'hiver

## DONNÉES TECHNIQUES

<b>Capacité de Charge:</b> 56 kg
<b>Genre d'Épandage:</b> Diffusion
<b>Matériel de Trémie:</b> Polypropylène
<b>Dimension de Trémie:</b> 29 1/2" x 161/2" x 131/2"
<b>Dimension Générale:</b> 44" x 311/2" x 351/2"
<b>Taille des Roues:</b> 15"

# VUE ÉCLATÉE

FR



## LISTE DES PIÈCES

Ref#	Description	Qté	Ref#	Description	Qté
1	Trémie	1	30	Entretoise	1
2	Grande Rondelle Plate Ø6	16	31	Tube de Croisement Fixe	1
3	Boulon Hex M6x40	15	32	Bouchon en Plastique	3
4	Goupille R Ø3	1	33	Tube de Support	1
5	Palier	2	34	Boulon Hex M6x35	2
6	Plaque Réglable Fixe	1	35	Poignée	1
7	Plaque Réglable Active	1	36	Couvre- Poignée	2
8	Base pour Ressort	1	37	Bague d'Essieu	2
9	Contre-écrou Hex M6	22	38	Tube de Croisement	1
10	Ressort	1	39	Goupille de Ressort Ø4x30	1
11	Contre-écrou Hex M8	3	40	Support	1
12	Rondelle Plate Ø8	2	41	Boulon Hex M6x20	7
13	Plaque Fixe pour Bielle	1	42	Boulon M6x25	1
14	Impulseur	1	43	Rondelle Frein Ø8	1
15	Roue	2	44	Plaque de Connexion	1
16	Goupille Fendue Ø5x35	2	45	Entretoise	1
17	Flat Washer Ø16	8	46	Ecrou à Ailettes	1
18	Grille	1	47	Poignée Réglable	1
19	Essieu	1	48	Couvre- Poignée	1
20	Bague D'essieu Intérieur	2	49	Rondelle à Ressort Ø6	7
21	Bague D'essieu Extérieur	2	50	Rondelle en Nylon	1
22	Rivet Ø5x8	2	51	Plaque de Support d'Arbre	1
23	Assemblage de Tube pour Cadre	1	52	Housse Imperméable	1
24	Engrenage à Pignons	1	53	Goupille Moletée en Cartouche	1
25	Essieu Pivotant	1	54	Engrenage (Driver)	1
26	Vis M4x20	1	55	Bouchon de Support d'Arbre	1
27	Goupille a Ressort Ø3x16	1	56	Bague de Roue	2
28	Tringlerie Solide	1	57	Contre-écrou Hex M5	1
29	Boulon Hex M8x75	1	58	Boulon M5x40	1

FR

# ALGEMENE WAARSCHUWINGEN

## LEES en BEGRIJP deze handleiding volledig voordat u de duw strooier gaat gebruiken.

De gebruiker moet alle veiligheids- en waarschuwingeninformatie, bedieningsinstructies en onderhouds- en opslaginstructies lezen en begrijpen voordat hij dit apparaat gaat gebruiken. Het niet goed gebruiken en onderhouden van de duwstrooimachine kan leiden tot ernstig letsel voor de gebruiker of omstanders.

### Bedieningswaarschuwingen

- Laat nooit passagiers zittend of staand meerijden op de strooimachine.
- Laat kinderen niet op de strooimachine spelen en staan of erin klimmen.
- Controleer altijd voor gebruik of de strooimachine in goede staat verkeert.
- Vervang of repareer beschadigde of versleten onderdelen onmiddellijk.
- Controleer en zet bevestigingsmiddelen en gemonteerde onderdelen vast voor u er mee gaat werken.
- Overschrijd niet het maximale belastingsvermogen van 60kg.
- Vermijd grote kuilen en greppels bij het transporteren van ladingen.
- Wees voorzichtig bij het rijden op steile hellingen (heuvel) want de strooimachine kan kantelen.
- Duw niet te dicht bij beken, greppels en openbare wegen.
- Gebruik geen strooimachine op winderige dagen wanneer u graszaad of kunstmest strooit.
- Wees altijd voorzichtig bij het laden en lossen van de strooimachine.
- Trek de strooimachine nooit met een gemotoriseerd voertuig.

### Verbrijzelings- en snijwondgevaaren

- Houd handen en voeten altijd weg van bewegende onderdelen tijdens het werken met het apparaat.
- Maak het werkterrein altijd vrij en houd het schoon terwijl u werkt.
- Draag altijd beschermende kleding, oogbescherming, handschoenen en werkschoenen wanneer u de strooimachine bedient.

#### WAARSCHUWING

De in deze instructiehandleiding besproken waarschuwingen, voorzorgsmaatregelen en instructies kunnen niet alle mogelijk optredende omstandigheden of situaties behandelen. De gebruiker moet begrijpen dat gezond verstand en voorzichtigheid factoren zijn die niet in dit product kunnen worden ingebouwd en door de gebruiker zelf geleverd moeten worden.

#### PROP 65-WAARSCHUWING

Dit product bevat chemische stoffen waarvan bij de staat Californië bekend is dat ze kanker, geboortefwijkingen, of andere schadelijke gevolgen voor de voortplanting veroorzaken.

### Montage is vereist

Dit product moet worden gemonteerd voordat het kan worden gebruikt. Zie het gedeelte 'Montage' voor instructies. Vanwege het gewicht en/of de grootte van de duwstrooimachine wordt aanbevolen dat er nog een andere volwassene aanwezig is om met de montage te helpen. **CONTROLEER ALLE COMPONENTEN** nauwkeurig bij ontvangst om er voor te zorgen dat er geen componenten ontbreken of beschadigd zijn.

## DEFINITIES VAN WOORDEN OP GEVAARSIGNALLEN

	Dit is het symbool voor een veiligheidswaarschuwing. Het wordt gebruikt om u te wijzen op mogelijk gevaar voor persoonlijk letsel. Neem alle veiligheidsmededelingen in acht die achter dit symbool worden vermeld om mogelijk letsel of de dood te voorkomen.
 <b>GEVAAR</b>	GEVAAR wijst op een direct gevaarlijke situatie die, indien deze niet wordt vermeden, ernstig letsel of de dood tot gevolg heeft.
 <b>WAARSCHUWING</b>	WAARSCHUWING wijst op een potentieel gevaarlijke situatie die, als ze niet wordt voorkomen, kan leiden tot ernstig of dodelijk letsel.
 <b>VOORZICHTIG</b>	VOORZICHTIG wijst op een potentieel gevaarlijke situatie die, indien deze niet wordt vermeden, licht tot middelzwaar letsel tot gevolg kan hebben.
<b>VOORZICHTIG</b>	VOORZICHTIG zonder het symbool voor de veiligheidswaarschuwing wijst op een potentieel gevaarlijke situatie die, indien deze niet wordt vermeden, kan leiden tot materiële schade.

### OVER DEZE DUWSTROOIMACHINE

Deze strooimachine is ontworpen om een brede reeks materialen (kunstmest, graszaad en dooimiddel) te verspreiden. Materialen als poeders, mest, gronddaarde, grind en mulch hebben de verkeerde fysieke eigenschappen en mogen niet worden gebruikt met deze strooimachine. Overschrijd nooit het nominale belastingsvermogen van 60kg bij het werken met de strooimachine.

Uw strooimachine moet worden geduwd met drie mijl per uur, dat is een stevige loopsnelheid. Lagere of hogere snelheden veranderen de strooipatronen. Nat strooimateriaal verandert eveneens het strooipatroon en de debietsnelheid. Reinig de strooimachine grondig na elk gebruik. Reinig ook tussen de afsluitplaat en de onderkant van de trechter.

De technische specificaties van de duwstrooimachine vindt u in het gedeelte 'Specificaties' van deze handleiding.



## IDENTIFICATIE VAN BEDIENINGSELEMENTEN EN FUNCTIES

Lees deze gebruikershandleiding voordat u met het apparaat gaat werken. Maak uzelf vertrouwd met de plaats en functie van de bedieningselementen en voorzieningen. Bewaar deze handleiding zodat u deze later kunt raadplegen.



1. **Handgreep** – Duwt en verplaatst de strooimachine eenvoudig.
2. **Debietregeling** – Regelt de doorstroom van het materiaal dat verstrooid wordt.
3. **Trechter** – Overschrijd het nominale belastingsvermogen van 60kg niet.
4. **Banden/Wiel** – Overschrijd de aanbevolen nominale 30 PSI niet.
5. **Schoepenwiel** - Distribueert het materiaal gelijkmatig.
6. **Steunvoet** – Stabiliseert de lading en de strooimachine.

### VOORZICHTIG

Lees en volg alle instructies voor montage en bediening. Als het apparaat niet goed wordt gemonteerd, kan dit leiden tot ernstig letsel voor de gebruiker en omstanders, of schade aan het apparaat.

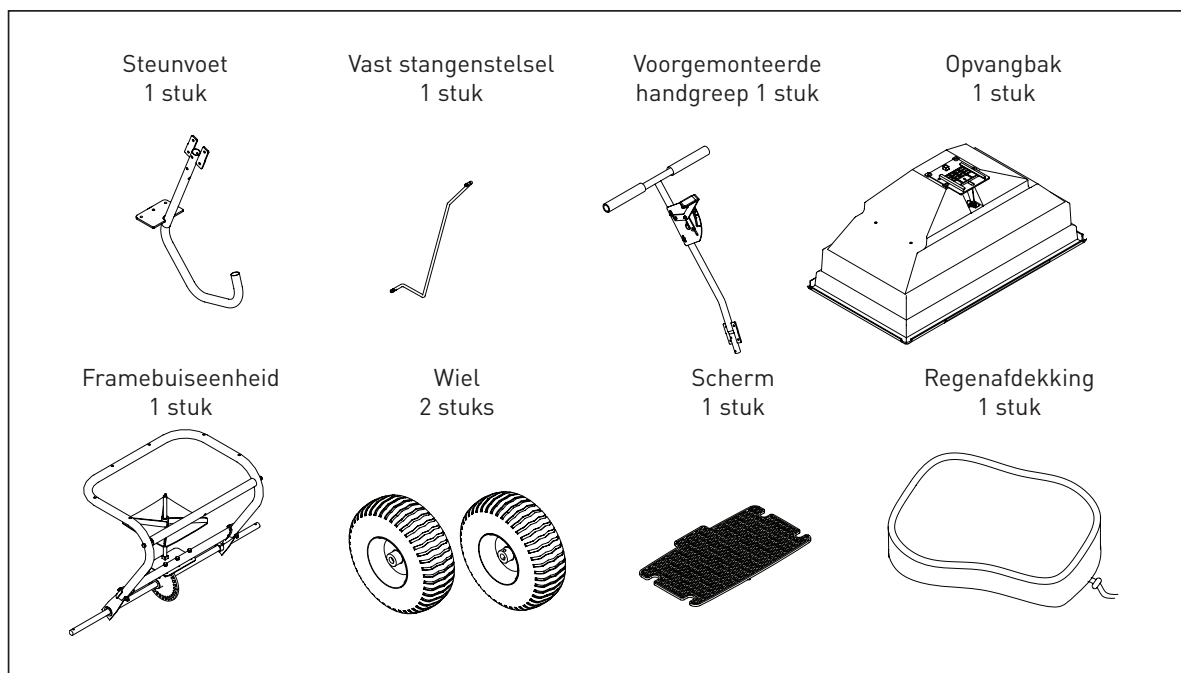
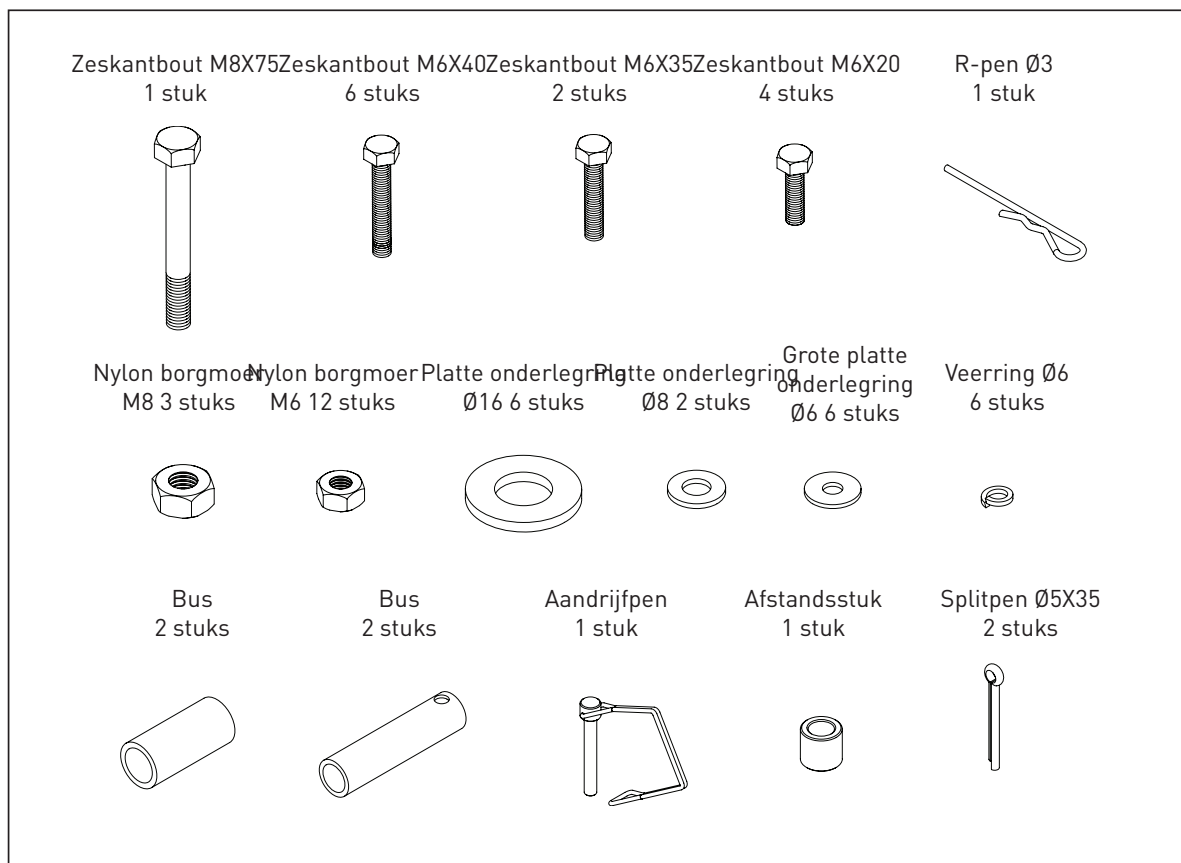
## ONDERDELEN VAN DE DUWSTROOIMACHINE EN MONTAGE

Neem alle onderdelen uit de verpakking en controleer de componenten om er voor te zorgen dat er geen ontbrekende delen zijn voordat u met de montage van de strooimachine begint. Volg de stappen 1 tot en met 5.

### BENODIGD GEREEDSCHAP

- Tang (2)
- Sleutels 8 mm (2)
- Sleutels 10 mm (2)
- Sleutel 13 mm
- Sleutel 14 mm

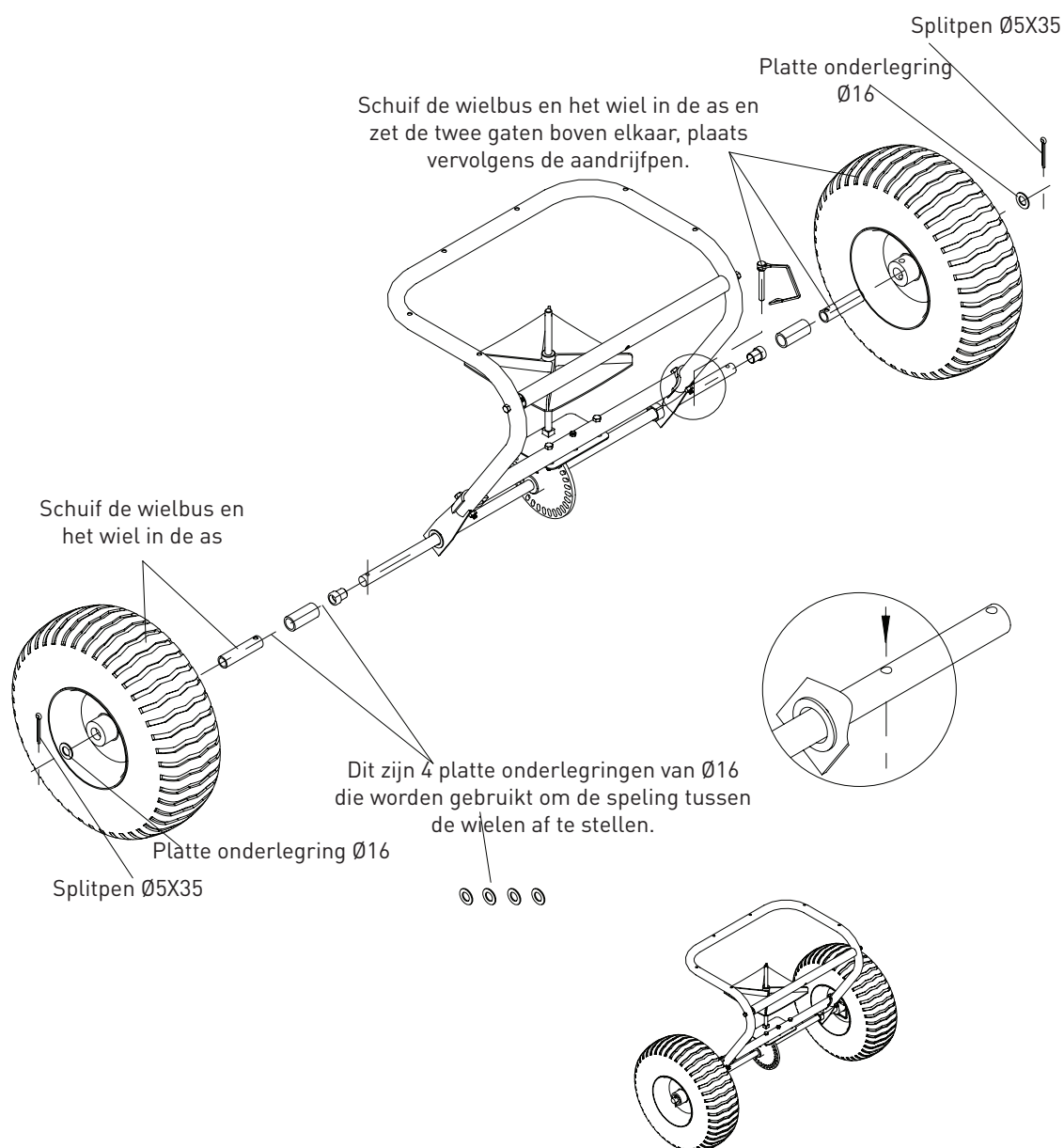
# ONDERDELEN



## STAP 1: WIELEN INSTALLEREN

1. Monteer aan de linkerkant van de as een wielbus en wielafstandsstuk in de as.
2. Schuif een wiel over de as.
3.  $\varnothing 16$  over de as, plaats de splitpen door het gat en zet vast door te buigen.
4. Schuif aan de rechterkant van de as een wielbus en het wielafstandsstuk in de as.
5. Plaats een wiel over de as, zorg dat de gaten boven elkaar zitten en plaats de aandrijfpen door de mof en vergrendeling.
6. Plaats een platte onderlegging  $\varnothing 16$  over de as, plaats de splitpen door het gat en zet vast door te buigen.

**OPMERKING:** er zijn vier extra platte onderleggingen meegeleverd om de speling tussen de wielen af te stellen.

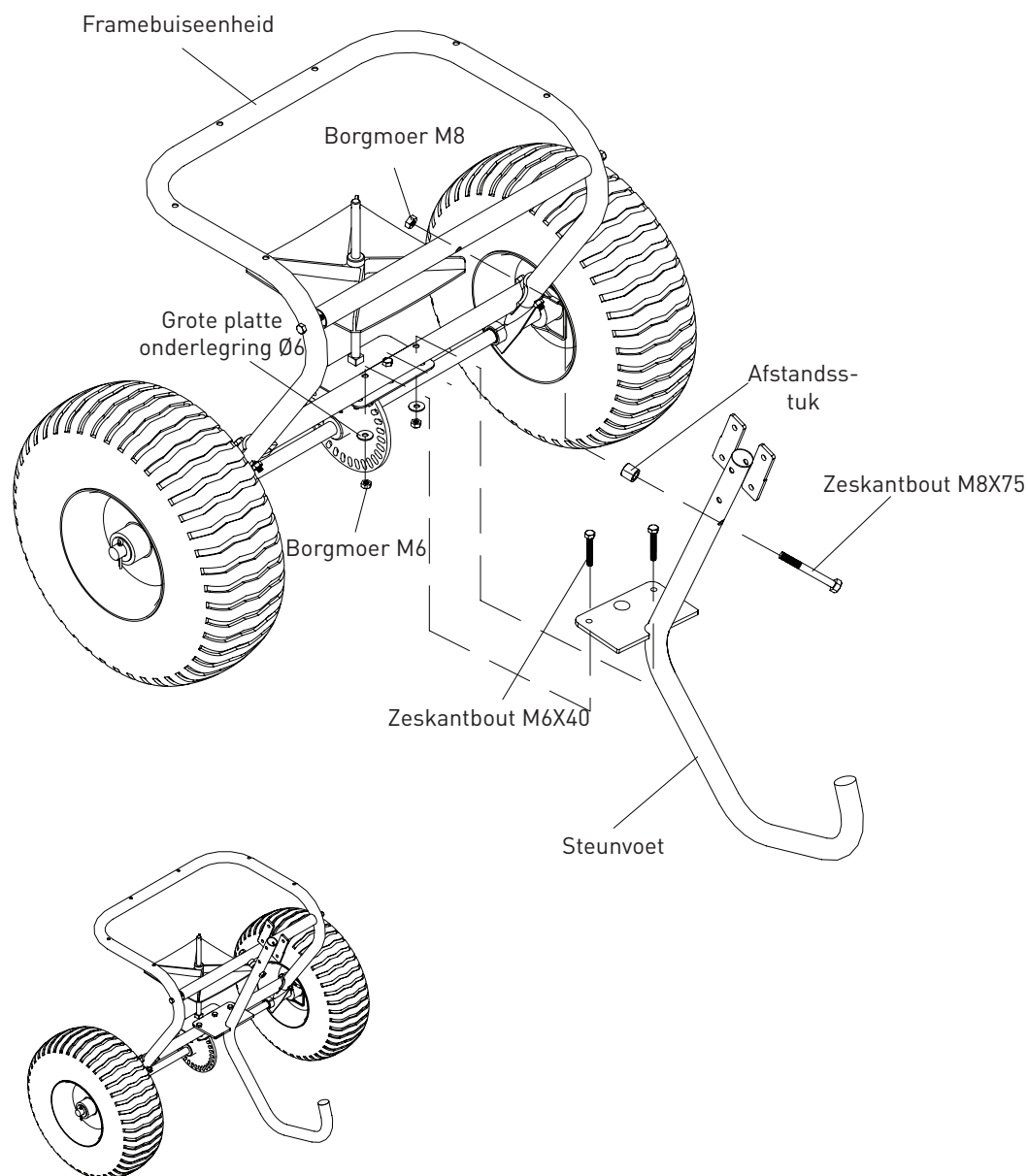


## STAP 2: STEUNVOET MONTEREN

1. Plaats de steunvoet zo dat het J-vormige uiteinde van de wieleenheid weg wijst.
2. Plaats de zeskantbout M8x75 door het bovenste gat op de steunvoet en schuif het afstandsstuk over het uiteinde van de bout.
3. Neem de steunvoet en plaats de bout door de bovenste dwarsbalk op de montageset en draai licht vast met de borgmoer M8.

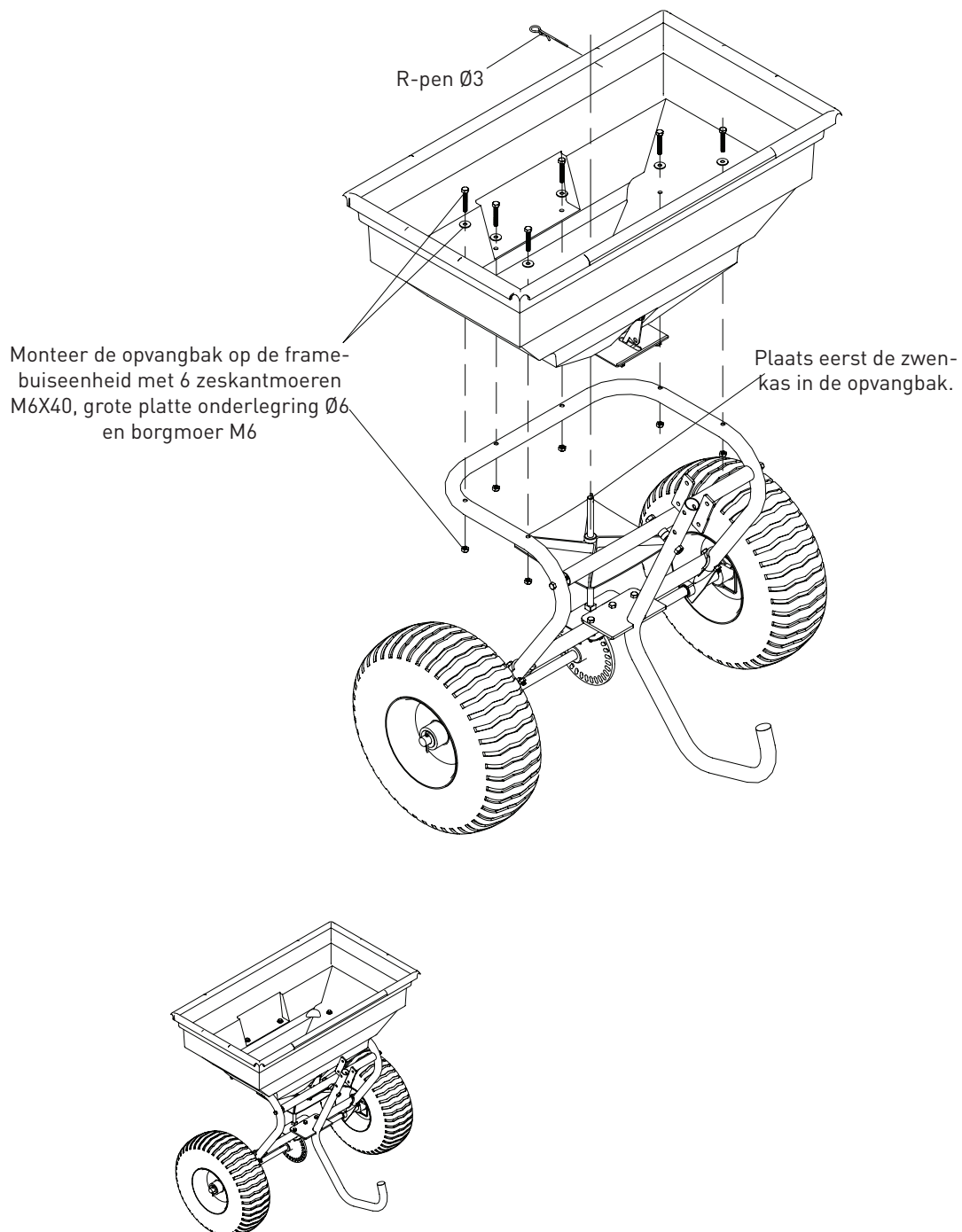
**OPMERKING:** zorg er voor het aandraaien van de bout voor dat de gaten van de steunvoetflens en de onderste dwarsbalk boven elkaar zitten.

4. Plaats een zeskantbout M6x40 door de gaten in de flens en dwarsbalk. Gebruik de grote platte onderlegging  $\varnothing 6$  en borgmoer M6 en draai alle bevestigingsmiddelen vast.



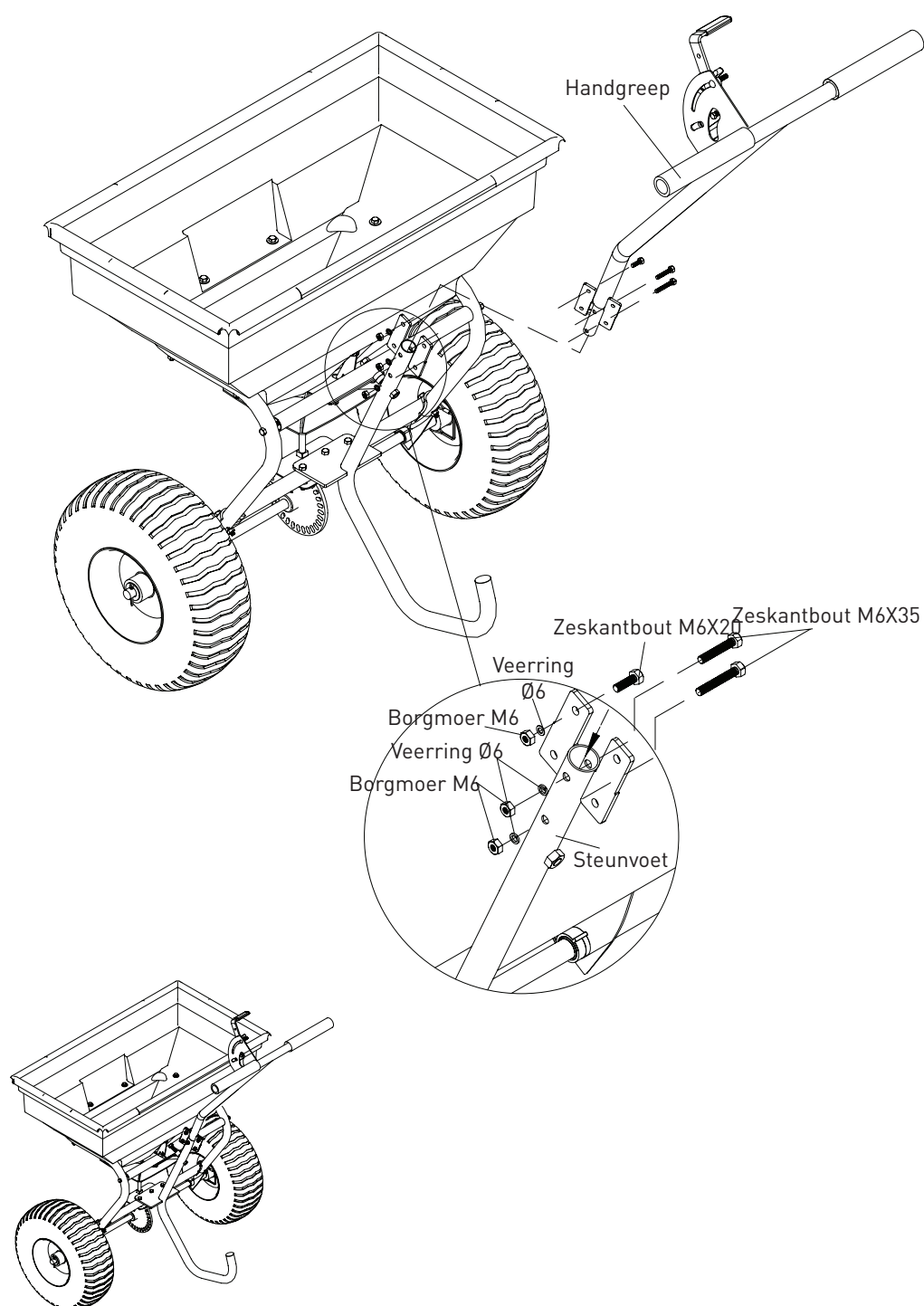
## STAP 3: TRECHTER INSTALLEREN

1. Laat de trechter over de montageset zakken, zorg er daarbij voor dat de gaten in de onderkant van de trechter op één lijn staan met de spil en de bevestigingsplaat van de as.
2. Gebruik de zeskantbout M6x40 en platte onderlegging  $\varnothing 6$  om de trechter op de montageset te bevestigen en zet vast met borgmoer M6.
3. Zorg er voor dat het tandwiel en het pignontandwiel soepel werken. Indien dit niet het geval is, moet u deze opnieuw afstellen totdat het tandwiel en het pignontandwiel soepel zwenken.
4. Maak alle bevestigingsmiddelen op de steunplaat van de as en trechter vast.
5. Plaats de R-pen door de bovenkant van de spil.



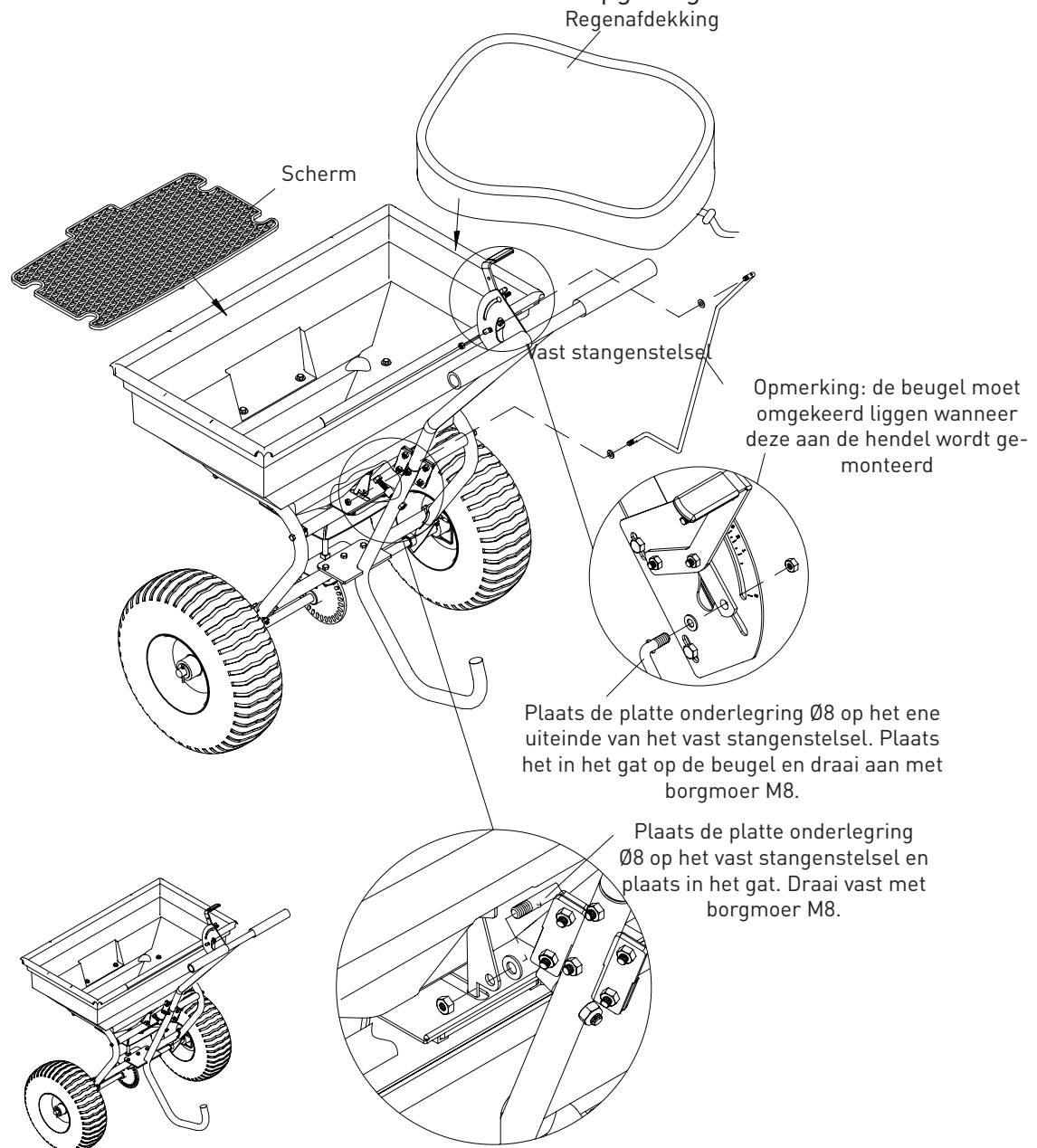
## STAP 4: HANDGREEP OP STEUNVOET BEVESTIGEN

1. Schuif de buis van de handgreep in de bovenkant van de steunvoet en zorg dat de twee gaten boven elkaar zitten.
2. Plaats zeskantbouten M6x35 door de twee gaten op de steunvoet en zet vast met de veerring  $\varnothing 6$  en borgmoer M6.
3. Plaats een zeskantbout M6x20 door het gat in de zijplaat en zet vast met een veerring  $\varnothing 6$  en borgmoer M6.



## STAP 5: VAST STANGENSTELSEL BEVESTIGEN

1. Bevestig het vast stangenstelsel met behulp van de onderste bevestigingsplaat; gebruik een platte onderlegging  $\varnothing 8$  en zet vast met een borgmoer M8.
2.  $\varnothing 8$  en een borgmoer M8.
3. Installeer het trechterscherm in de onderkant van de trechter.
4. Zorg ervoor dat alle bevestigingsmiddelen zijn vastgedraaid voordat de strooimachine wordt gebruikt.
5. Gebruik de regenafdekking indien nodig om het materiaal in de trechter te beschermen of wanneer de strooimachine wordt opgeslagen.



# BEDIENINGSINSTRUCTIES

## WAARSCHUWING

Voordat u de duwstrooimachine gaat gebruiken, moet u eerst de onderstaande instructies en veiligheidsinformatie doornemen. Het niet naleven van deze instructies kan leiden tot materiële schade of letsel voor de gebruiker of omstanders.

## STROOIMACHINE GEBRUIKEN

1. Controleer de strooimachine voor elk gebruik. Zorg ervoor dat de wielen makkelijk draaien en dat de tandwielkast beweegt wanneer de strooimachine wordt geduwd. De trechter moet schoon zijn en mag geen barsten bevatten.
2. De strooimachine is ontworpen om een reeks materialen (kunstmest, graszaad en dooimiddel) te verspreiden. Materialen als poeders, mest, gronddaarde, grind en mulch hebben de verkeerde fysieke eigenschappen en mogen niet worden gebruikt met deze strooimachine.
3. Gebruik geen strooimachine op winderige dagen wanneer u graszaad of kunstmest strooit.
4. Bepaal bij benadering het aantal vierkante meters dat moet worden bestrooid en schat de benodigde hoeveelheid materiaal. Zie de aanbevelingen van de kunstmestfabrikant. Verbreek klonters kunstmest terwijl u de trechter vult.
5. "0" staat en of de debietregelplaat is gesloten.
6. Zet de verstelbare aanslag met de hendel van de debietregeling altijd in de "0"-stand. Sluit elke keer wanneer u gaat stoppen of keren de debietregelplaat om het verspreiden van het materiaal te stoppen en maak nog één gang. Hierdoor wordt verspilling voorkomen en wordt voorkomen dat het gazon beschadigt door verzadiging van het product.
7. Volg de door de fabrikant aanbevolen dekkingsgraad voor elk product.
8. Om dezelfde dekking te behouden terwijl u met een andere snelheid loopt, stelt u de debietsnelheid opnieuw in. Verminder de debietinstelling voor lagere snelheden en verhoog de debietinstelling voor hogere snelheden.
9. Houd de plaat van het schoepenwiel horizontaal wanneer u de strooimachine bedient. Wanneer u de strooimachine kantelt, krijgt u een ongelijkmatige dekking.
10. Zorg ervoor dat de R-pen in de trechter is geïnstalleerd voordat u met de strooimachine begint.
11. Begin altijd eerst te lopen voordat u de sluitplaat opent.
12. Sluit de debietregelplaat altijd voordat u draait of de strooimachine stopt.
13. Als er per ongeluk te veel materiaal is terechtgekomen op een klein gebied, doorweekt u het gebied grondig met een tuinslang of sproeier om het verbranden van het gazon te voorkomen.
14. Om een consistente dekking te garanderen, moet u er voor zorgen dat elk strooipatroon het vorige strooipatroon iets overlapt.
15. Zorg er bij het strooien van het materiaal voor dat het strooipatroon geen groenblijvende bomen, bloemen of struiken raakt.
16. Strooi niet teveel materiaal. Volg de aanbevolen dekkingsgraad voor elk product. Te veel strooien leidt tot schade aan uw gazon en verontreiniging.

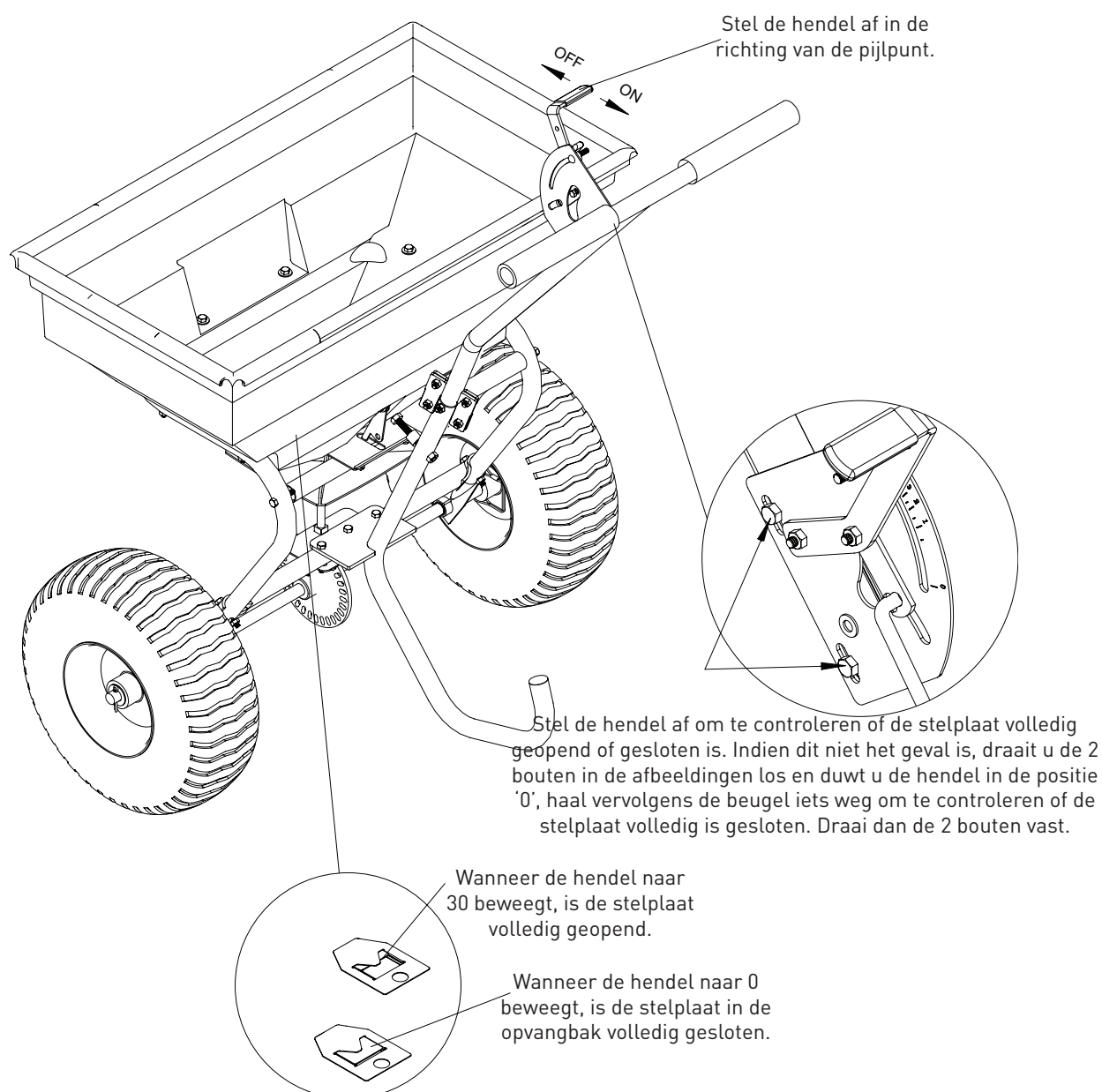
NL



# BEDIENINGSINSTRUCTIES

## DEBIET AFSTELLEN

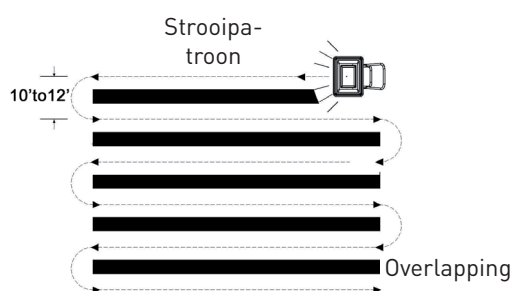
1. U kunt de instelling van de strooimachine afstellen door de hendel in de richting van de pijl te bewegen. Als de hendel op '30' wordt gezet, is de stelplaat volledig geopend, als de hendel op '0' staat, is de stelplaat volledig gesloten.
2. Maak de vleugelmoer op de beugel iets los en verplaats de afstelhendel naar boven of naar beneden, afhankelijk van de benodigde hoeveelheid materiaal. Wanneer u de hendel naar beneden beweegt, komt er meer materiaal vrij, wanneer u de hendel omhoog beweegt, komt er minder materiaal vrij. Het optrekken van de hendel stopt het debiet volledig.
3. Draai de vleugelmoer weer vast wanneer de gewenste positie is ingesteld.



# BEDIENINGSINSTRUCTIES

## CONSISTENTE DEKKING

Om een constante dekking te garanderen, moet u er voor zorgen dat elk strooipatroon het vorige strooipatroon iets overlapt, zoals in de onderstaande figuur. De strooibreedtes voor verschillende materialen worden bij benadering getoond in het toepassingschema.



### WAARSCHUWING

Strooi niet te veel materiaal. Volg de aanbevolen dekkingsgraad voor elk product. Te veel strooien leidt tot schade en verontreiniging. Als het strooimateriaal per ongeluk ergens anders op komt of als er te veel is gestrooid, moet u het gebied grondig doorweken met een tuinslang of sproeier om verbranding te voorkomen.

# STROOI-INSTRUCTIES

## BENODIGDE HOEVEELHEID MATERIAAL BEREKENEN

Teneinde de hoeveelheid kunstmest te berekenen die u nodig heeft om uw gazon te bedekken, moet u de dekkingshoeveelheid op het etiket delen door het gewicht van de zak kunstmest. Bijvoorbeeld: een zak kunstmest van 10 LB met een dekking van 10.000 square feet distribueert elke 1000 square feet 1 LB bij een volledige snelheid of elke 1000 square feet 1/2 LB kunstmest bij halve snelheid. Voor voorberekende snelheden zie Schema A (Voorbeeld: zak van 25 LB met dekking van 15.000 sq. ft. dekking = 1,7LB/1000 sq. ft.). Gebruik Schema B om de beste strooi-instelling te bepalen (voorbeeld: 1,7LB/1000 sq. ft. = strooi-instelling 8).

### Schema A - Dekking per square foot per zak\*

Gewicht van zak (LBS)	LBS/1000 SQ FT		
	DEKKING VAN 5000 SQ FT	DEKKING VAN 10.000 SQ FT	DEKKING VAN 15.000 SQ FT
5	1,0 LB	0,5 LB	0,3 LB
10	2,0 LB	1,0 LB	0,7 LB
15	3,0 LB	1,5 LB	1,0 LB
20	4,0 LB	2,0 LB	1,3 LB
25	5,0 LB	2,5 LB	1,7 LB
30	6,0 LB	3,0 LB	2,0 LB
35	7,0 LB	3,5 LB	2,3 LB
40	8,0 LB	4,0 LB	2,7 LB
45	9,0 LB	4,5 LB	3,0 LB
50	10,0 LB	5,0 LB	3,3 LB
55	11,0 LB	5,5 LB	3,7 LB

\*Dit zijn slechts ramingen, de werkelijke hoeveelheden kunnen afwijken.

### Schema B - Strooi-instellingen/strooibreedtes

MEERVOUDIG GEBRUIK	LBS/1000 SQ FT	STROOI-INSTELLING	STROOIEN VAN KLEINE DEELTJES	STROOIEN VAN MIDDELGROTE DEELTJES	STROOIEN VAN GROTE DEELTJES
KUNSTMEST	1	5	5-6 FT	6-9 FT	9-12 FT
	2	8	5-6 FT	6-9 FT	9-12 FT
	3	10	5-6 FT	6-9 FT	9-12 FT
	4	13	5-6 FT	6-9 FT	9-12 FT
	5	15	5-6 FT	6-9 FT	9-12 FT
GRASZAAD	6	18	5-6 FT	6-9 FT	9-12 FT
	7	20	5-6 FT	6-9 FT	9-12 FT
DOOIMIDDEL	8	23	5-6 FT	6-9 FT	9-12 FT
	9	25	5-6 FT	6-9 FT	9-12 FT
	10	28	5-6 FT	6-9 FT	9-12 FT
	11	30	5-6 FT	6-9 FT	9-12 FT

**OPMERKING: GEBRUIK GEEN ZOUT.** Het gebruiken van zout in deze strooimachine beschadigt het mechanisme en verkort de levensduur van de machine.

## ONDERHOUD EN OPSLAG

### WAARSCHUWING

Onjuist onderhoud en onjuiste opslag van de duwstrooimachine kan ertoe leiden dat uw garantie komt te vervallen.

### ONDERHOUD

- Verwijder na elk gebruik achtergebleven materiaal uit de trechter.
- Spoel en droog de binnen- en buitenkant van de trechter na elk gebruik.
- Zorg voordat u met de machine gaat werken dat de banden de AANBEVOLEN BANDENSPANNING VAN 30 PSI hebben.
- Controleer regelmatig of alle bevestigingsmiddelen nog vast zitten.
- Zorg voor een jaarlijkse reiniging en lichte smering van de onderdelen.
- Gebruik een glanzende spuitlak om beschadigde of versleten gelakte metalen oppervlakken bij te werken.
- Overschrijd nooit het belastingsvermogen van 125 lbs, dit beschadigt de strooimachine.

### BELANGRIJK:

Als een onderdeel vervangen moet worden, gebruik dan uitsluitend onderdelen die voldoen aan de specificaties van de fabrikant. Vervangen onderdelen die niet aan de specificaties voldoen, kunnen leiden tot een gevaar voor de veiligheid of een slechte werking.

### OPSLAG

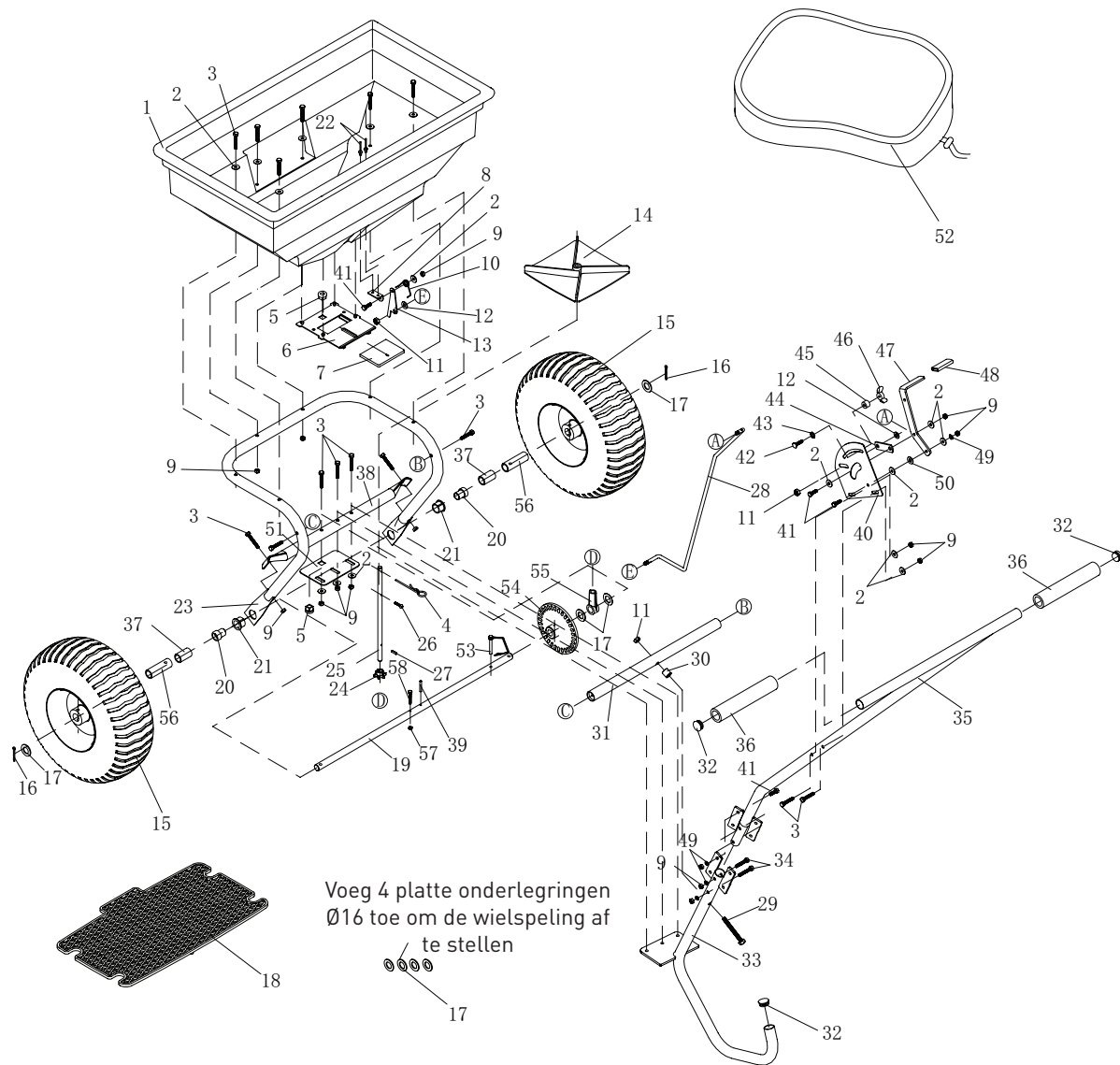
- Laat materiaal nooit langere tijd in de trechter zitten.
- Zorg voordat u de strooimachine opslaat dat deze schoon en droog is voor jaren probleemloos gebruik.
- Zet de strooimachine binnen of in een beschermd gedeelte tijdens slecht weer en in de winter.

## SPECIFICATIONS

<b>Belastingsvermogen:</b> 125 lb
<b>Strooitype:</b> Strooien
<b>Trechtermateriaal:</b> Polypropyleen
<b>Trechteraftmetingen:</b> 29 1/2" x 16 1/2" x 13 1/2"
<b>Totale afmetingen:</b> 44" x 31 1/2" x 35 1/2"
<b>Wielmaat:</b> 15"
<b>Bandenspanning (PSI):</b> 30
<b>Eenheidsgewicht:</b> 38 lb

# TEKENING EN LIJST VAN ONDERDELEN

NL



**NL**

Ref.nr.	Omschrijving	Aantal	Ref.nr.	Omschrijving	Aantal
1	Trechter	1	30	Afstandsstuk	1
2	Grote platte onderlegging Ø6	16	31	Vaste dwarsbuis	1
3	Zeskantbout M6x40	15	32	Kunststof dop	3
4	R-pen Ø3	1	33	Steunbuis	1
5	Lager	2	34	Zeskantbout M6x35	2
6	Vaste stelplaat	1	35	Handgreep	1
7	Bewegende stelplaat	1	36	Handgreepafdekking	2
8	Voet voor veer	1	37	Asbus	2
9	Zeskantborgmoer M6	22	38	Dwarsbuis	1
10	Veer	1	39	Veerpen Ø4x30	1
11	Zeskantborgmoer M8	3	40	Beugel	1
12	Platte onderlegging Ø8	2	41	Zeskantbout M6x20	7
13	Vaste plaat voor drijfstang	1	42	Slotbout M6x25	1
14	Schoepenwiel	1	43	Getande borgring Ø8	1
15	Wiel	2	44	Verbindingsplaat	1
16	Splitpen Ø5x35	2	45	Afstandsstuk	1
17	Platte onderlegging Ø16	8	46	Vleugelmoer M6	1
18	Scherf	1	47	Stelhendel	1
19	As	1	48	Handgreepafdekking	1
20	Binnenste asbus	2	49	Veerring Ø6	7
21	Buitenste asbus	2	50	Nylon onderlegging	1
22	Klinknagel Ø5x8	2	51	Steunplaat van as	1
23	Framebuisenheid	1	52	Regenafdekking	1
24	Pignontandwiel	1	53	Aandrijfpen	1
25	Zwenkas	1	54	Tandwiel (aandrijving)	1
26	Schroef M4x20	1	55	Steundop van as	1
27	Veerpen Ø3x16	1	56	Wielbus	2
28	Vast stangenstelsel	1	57	Zeskantborgmoer M5	1
29	Zeskantbout M8x75	1	58	Zeskantbout M5x40	1

## GENERELLE ADVARSLER

### LÆS og FORSTÅ denne vejledning fuldstændigt, før du bruger skubbesprederen.

Brugeren skal læse og forstå alle oplysninger om sikkerhed og advarsler, betjeningsvejledningen samt anvisningerne om vedligeholdelse og opbevaring før brug af dette udstyr. Hvis skubbesprederen ikke betjenes korrekt, kan det resultere i alvorlig personskade på brugeren eller andre personer.

#### Advarsler om betjening

Personer må på intet tidspunkt opholde sig på sprederen.

- Lad ikke børn lege på, stå på eller kravle ind i sprederen.
- Efterse altid sprederen før brug for at sikre, at den er i god driftsmæssig stand.
- Beskadigede eller slidte dele skal udskiftes omgående.
- Kontroller og tilspænd altid udstyret og de monterede dele før brug.
- Den maksimale lastevne på 125lb (ca. 27 kg) må ikke overskrides.
- Undgå store huller og grøfter under transport af last.
- Vær forsigtig ved brug på stejle skrånninger (bakker), da sprederen kan vælte.
- Skub ikke sprederen tæt på grøfter eller offentlige veje.
- Brug ikke sprederen i kraftig blæst ved spredning af græsfrø eller ukrudtsmiddel.
- Vær altid forsigtig ved fyldning og tømning af sprederen.
- Sprederen må ikke trækkes efter et motoriseret køretøj.

#### Fare for knusning og snitsår

- Hold altid hænder og fødder væk fra bevægelige dele, mens udstyret bruges.
- Hold altid arbejdsområdet ryddeligt og rent under brug.
- Bær altid sikkerhedsudstyr, øjenværn, handsker og arbejdsstøvler under brug af sprederen.


#### WAARSCHUWING

Advarslerne, forsigtighedsangivelserne og anvisningerne i denne brugervejledning kan ikke omfatte alle tænkelige tilstande eller situationer, der kan opstå. Brugeren skal forstå, at sund fornuft og forsigtighed er faktorer, der ikke kan indbygges i dette produkt, og at dette er brugerens ansvar.

#### Kræver montering

Dette produkt kræver montering før brug. Se afsnittet "Montering" for instruktioner. På grund af skubbesprederens vægt og/eller størrelse anbefales det, at der er en anden voksen til stede for at hjælpe med monteringen. EFTERSE ALLE DELE omhyggeligt ved modtagelsen for at sikre, at nogle af delene ikke mangler eller er beskadiget.

## DEFINITIONER AF FARESIGNALORD

	Dette symbol angiver en sikkerhedsadvarsel. Det bruges til at advare dig om mulige farer for personskader. Overhold alle sikkerhedsmeddelelserne, der følger efter dette symbol, for at undgå risiko for personskader eller dødsfald.
 <b>GEVAAR</b>	FARE angiver en overhængende farlig situation, som, hvis den ikke undgås, kan medføre dødsfald eller alvorlig personskade.
 <b>WAARSCHUWING</b>	ADVARSEL angiver mulighed for en farlig situation, som, hvis den ikke undgås, kan medføre dødsfald eller alvorlig personskade.
 <b>VOORZICHTIG</b>	FORSIGTIG angiver mulighed for en farlig situation, som, hvis den ikke undgås, kan medføre mindre eller moderat personskade.
<b>VOORZICHTIG</b>	FORSIGTIG anvendt uden sikkerhedsadvarselssymbol angiver mulighed for en farlig situation, som, hvis den ikke undgås, kan medføre skader på ejendom.

DK

### OM SKUBBEPREDEREN

Denne skubbespreder er beregnet til spredning af et bredt udvalg af materialer (gødning, græsfrø og optøningsmiddel). Materialer som f.eks. pulver, gylle, topdressing, grus og muld har fysiske egenskaber, der gør, at de IKKE må bruges i denne spreder. Den nominelle lasteevne på 125 lbs (ca. 57 kg) må aldrig overskrides, når sprederen bruges.

Sprederen skal skubbes med mindst fem kilometer i timen, hvilket svarer til forholdsvis hurtig ganghastighed. Hurtigere eller langsommere hastighed ændrer spredningsmønstrene. Vådt spredemateriale vil også ændre spredningsmønsteret og doseringen. Rengør sprederen grundigt efter hver brug. Skyl mellem lukkepladen og bunden af beholderen.

Tekniske specifikationer for sprederen findes i afsnittet "Specifikationer" i denne vejledning.



## BETJENINGSANORDNINGER OG FUNKTIONER

Læs denne brugervejledning, før du bruger udstyret. Sæt dig ind i betjeningsanordningernes placering og funktionerne. Gem denne vejledning til senere brug.

DK



1. Håndtag – skubber og bevæger spredner nemt.
2. Doseringsregulering – regulerer mængden af det spredte materiale.
3. Beholder – overskrid ikke den nominelle lasteevne på 125lb (ca. 57 kg).
4. Dæk/hjul – undgå at overskride det anbefalede tryk på 20 psi.
5. Skovlhjul – fordeler materialet jævnt.
6. Støtteben – stabiliserer lasten og sprederen.

### FORSIGTIG

Læs og følg alle anvisninger om montering og betjening. Hvis udstyret ikke monteres korrekt, kan det resultere i alvorlig personskade for brugeren eller andre personer eller beskadigelse af udstyret.

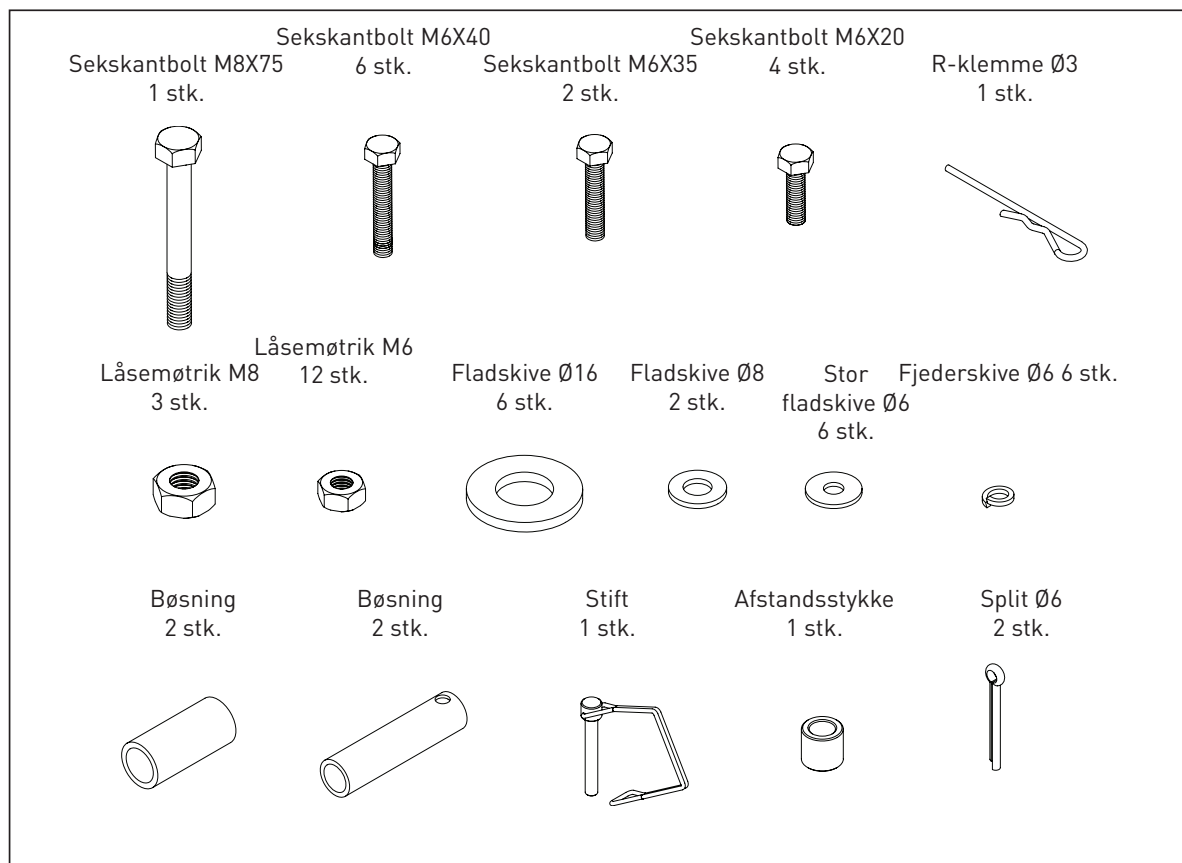
## SKUBBESPREDER – DELE OG MONTERING.

Tag alle delene ud af forsendelseskassen, og kontroller, at der ikke mangler dele, før du begynder at montere skubbesprederen ved at følge trin 1 til 5.

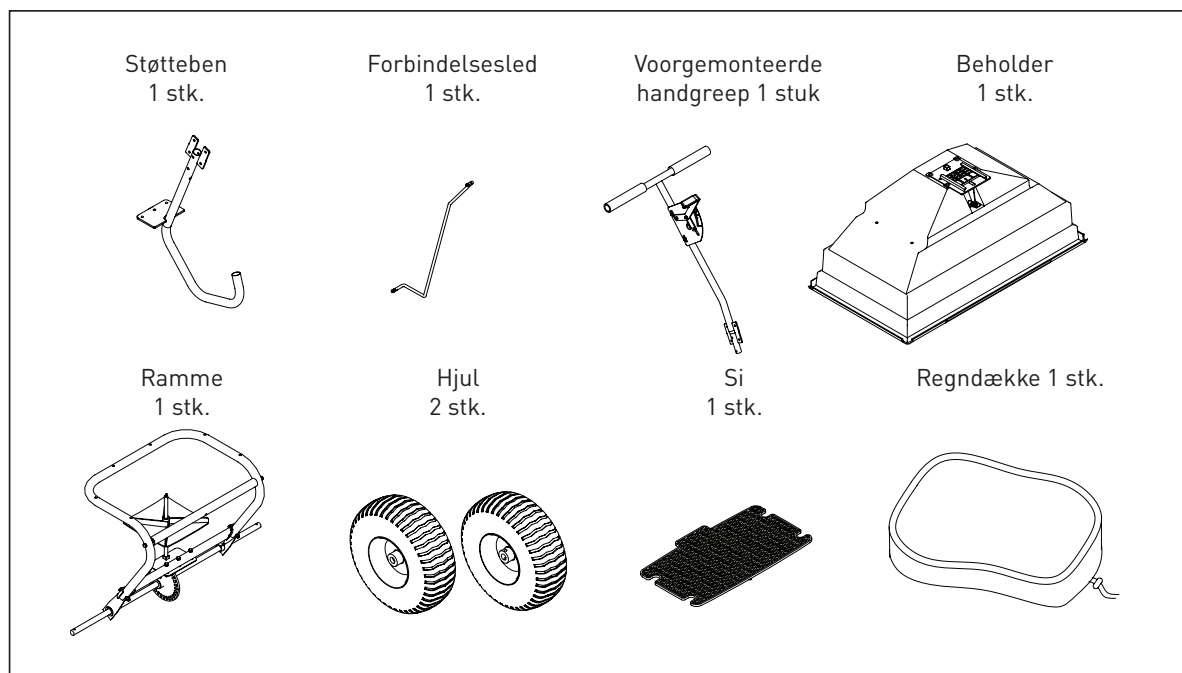
### NØDVENDIGT VÆRKTØJ

- Tang (2 stk.)
- 8mm nøgle (2 stk.)
- 10 mm nøgle (2 stk.)
- 13mm nøgle
- 14mm nøgle

# DELET



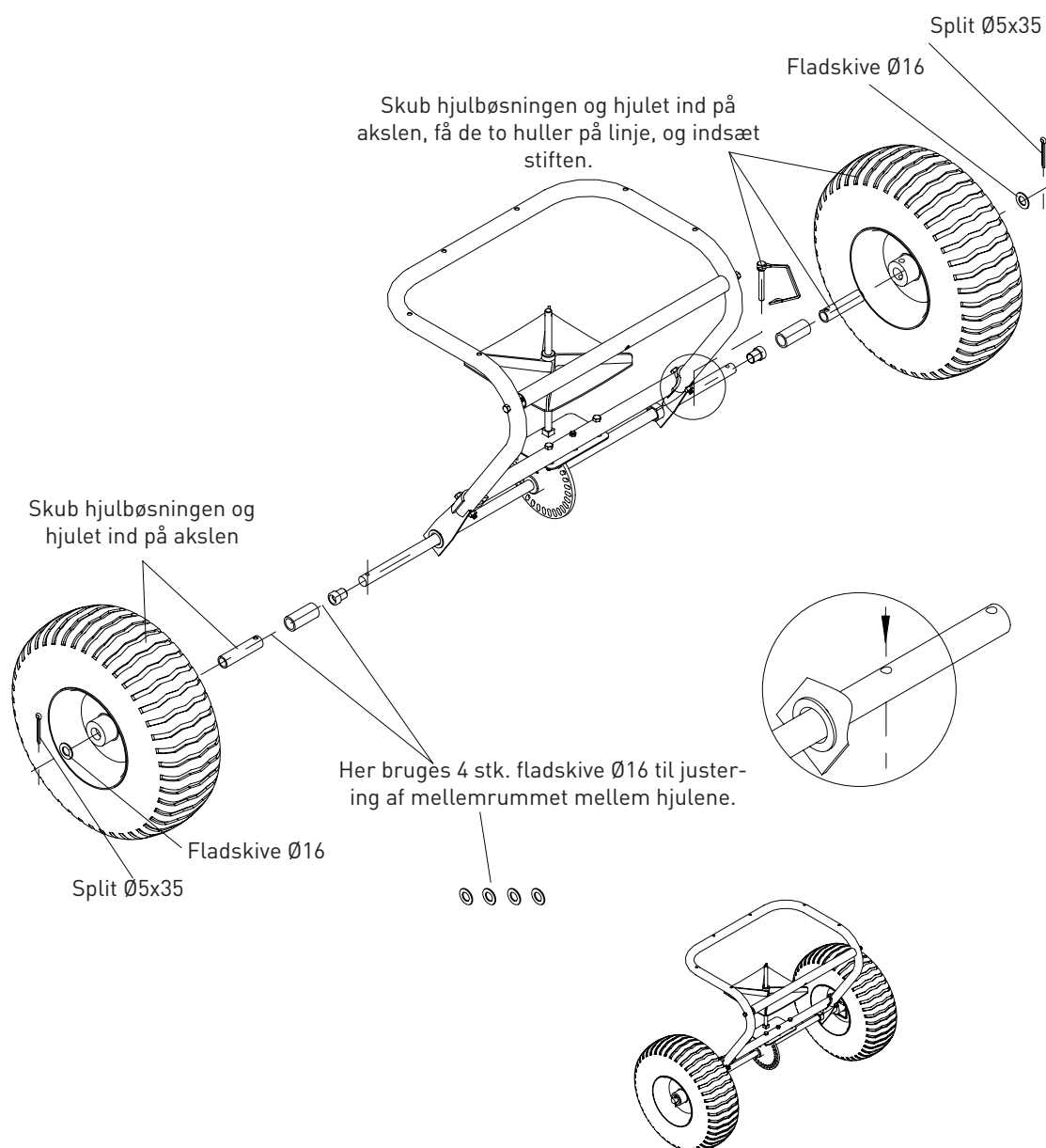
DK



## TRIN 1: MONTERING AF HJULENE

1. Monter en hjulbøsning og en afstandsskive på venstre ende af akslen.
2. Skub et hjul over akslen.
3. Sæt et Ø16 fladskive på akslen, sæt splitten gennem hullet, og fastgør ved at bøje.
4. Skub en hjulbøsning og en afstandsskive ind på højre ende af akslen.
5. Sæt et hjul på akslen, få hullerne på linje, sæt stiften gennem bøsningen, og lås den.
6. Sæt et Ø16 fladskive på akslen, sæt splitten gennem hullet, og fastgør ved at bøje.

**BEMÆRK:** Der medfølger yderligere fire spændeskiver til justering af afstanden mellem hjulene.

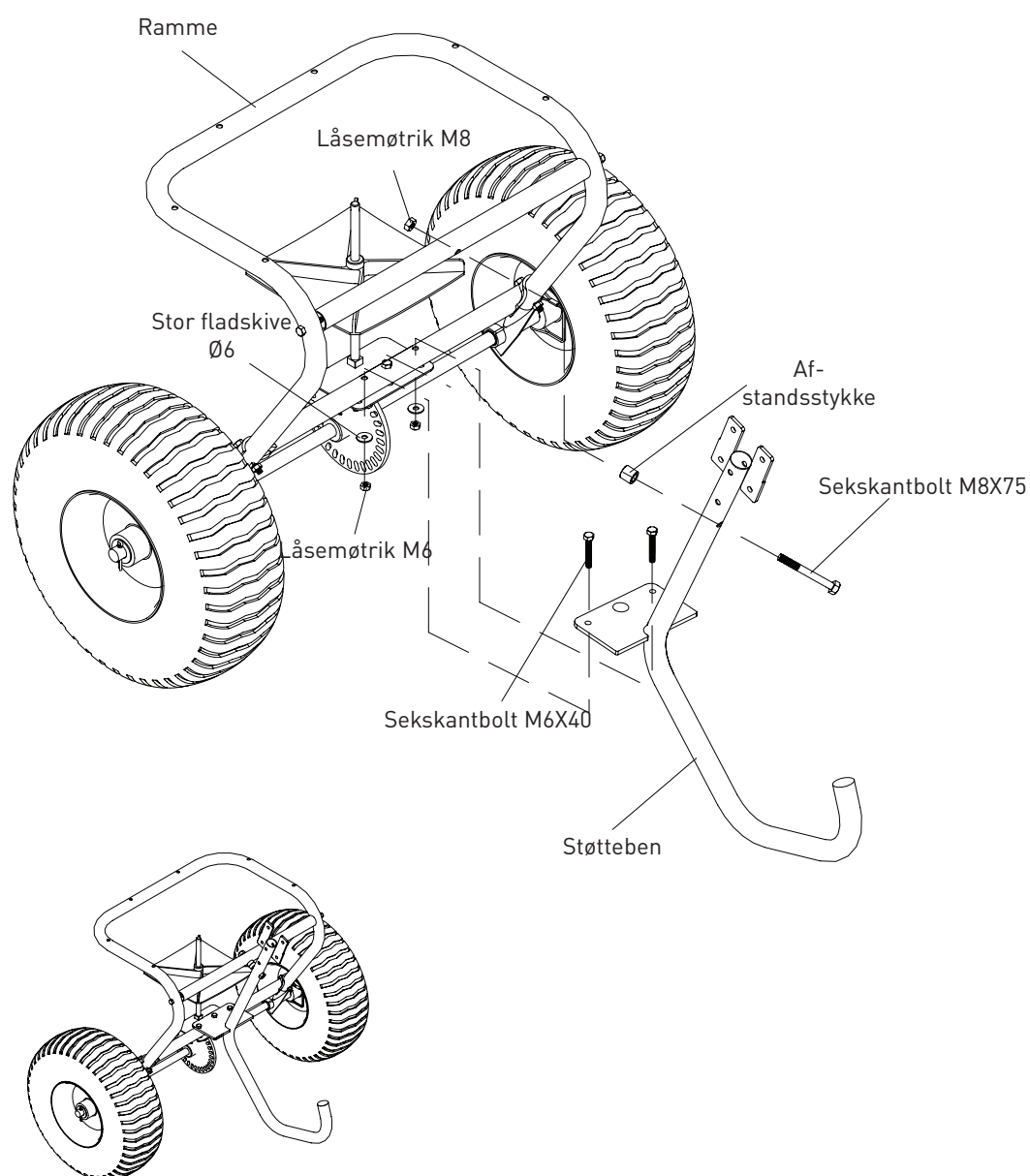


## TRIN 2: MONTERING AF STØTTEBENET

1. Anbring støttebenet, så den J-formede ende peger væk fra hjulmontagen.
2. Sæt M8x75 sekskantbolten gennem det øverste hul på støttebenet, og skub afstandsstykket hen over boltens ende.
3. Tag støttebenet, og sæt bolten ind gennem den øverste tværstang på monteringen, og spænd let med M8 låsemøtrikken.

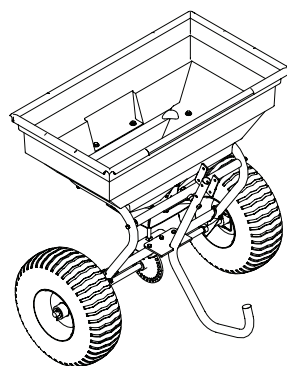
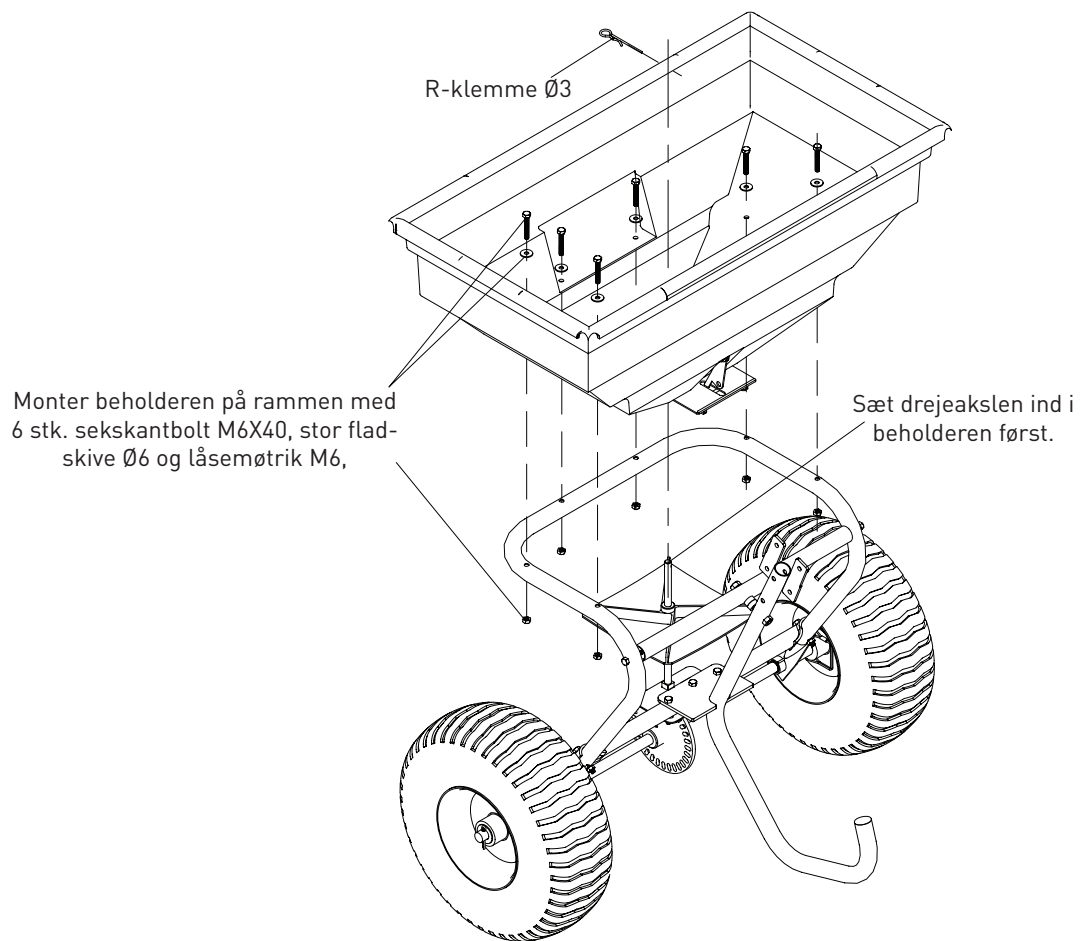
**BEMÆRK:** Før du tilspænder boltten, skal hullerne i støttebenets flange og den nederste tværstang være på linje.

4. Sæt M6 x 40 sekskantbolten gennem hullerne i flangen og tværstangen. Brug den store Ø6 fladskive og M6 låsemøtrikken, og spænd alle monteringsdelene.



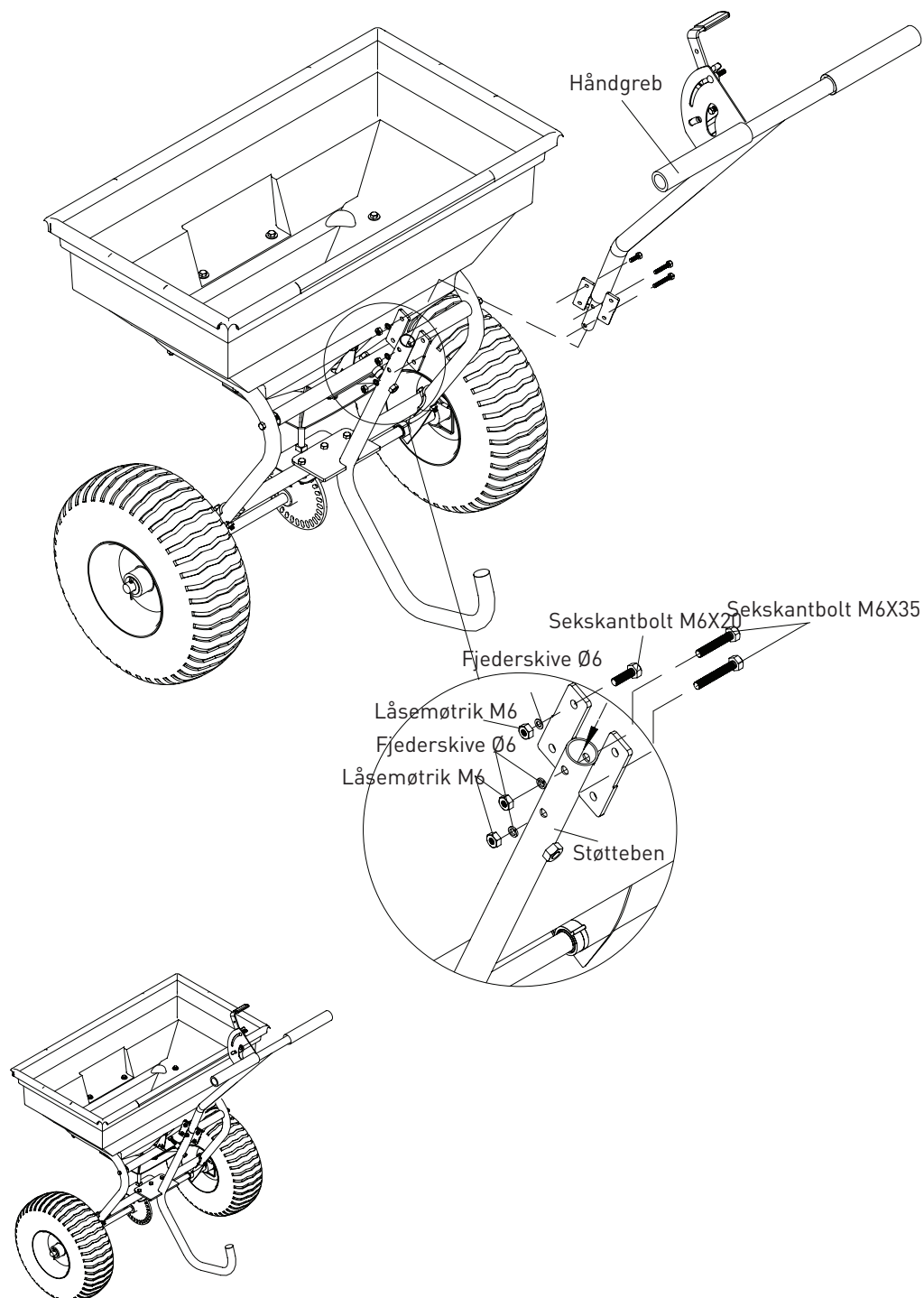
## TRIN 3: MONTERING AF BEHOLDEREN

1. Sænk beholderen ned over monteringen, og vær omhyggelig med at få hullerne i bunden af beholderen til at være ud for spindlen på akslens monteringsplade.
2. Brug M6x40 sekskantbolten og Ø6 fladskiven til at fastgøre beholderen på monteringen, og fastgør med en M6 låsemøtrik.
3. Sørg for, at tandhjulet og spidshjulet kører jævnt. Hvis det ikke er tilfældet, skal du justere igen, indtil tandhjulet og spidshjulet drejer jævnt.
4. Tilspænd alle monteringsdelene på akselstøttepladen og beholderen.
5. Sæt R-klemmen gennem toppen af spindlen.



## TRIN 4: MONTERING AF HÅNDTAG PÅ STØTTEBEN

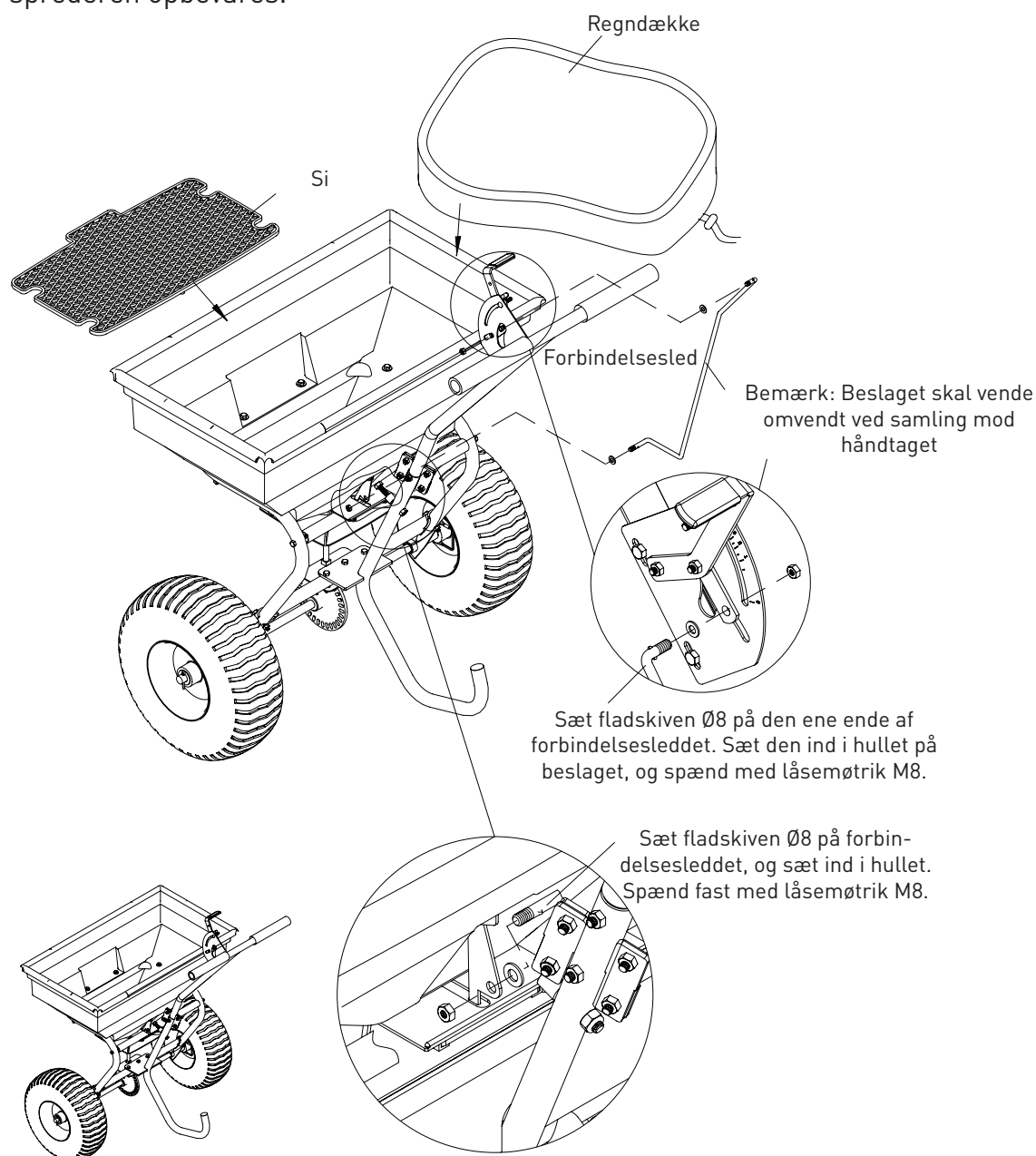
1. Skub håndtagsstangen ind i toppen af støttebenet, og få de to huller til at være på linje.
2. Indsæt M6x35 sekskantbolte gennem de to huller på støttebenet, og tilspænd med  $\varnothing 6$  fjederskive og M6 låsemøtrik.
3. Indsæt en M6x20 sekskantbolt gennem huller i sidepladen, og tilspænd med  $\varnothing 6$  fjederskive og M6 låsemøtrik.



DK

## TRIN 5: MONTERING AF FORBINDELSLEDDET

1. Monter forbindelsesleddet gennem den nederste fastgørelsesplade med en Ø8 fladskive, og tilspænd med en M8 låsemøtrik.
2. Monter den anden ende af forbindelsesleddet til doseringsreguleringen med en Ø8 fladskive og en M8 låsemøtrik.
3. Monter beholdersien i bunden af beholderen.
4. Kontroller, at alt udstyr er tilspændt før brug af sprederen.
5. Brug regndækket efter behov til beskyttelse af materialet i beholderen, eller når sprederen opbevares.



DK

# BETJENINGSVEJLEDNING

## ADVARSEL

Før brug af skubbesprederen skal nedenstående anvisninger og sikkerhedsinformation gennemgås. Hvis anvisningerne ikke følges, kan det medføre skade på ejendom eller personskade på brugeren eller andre personer.

## BRUG AF SPREDEREN

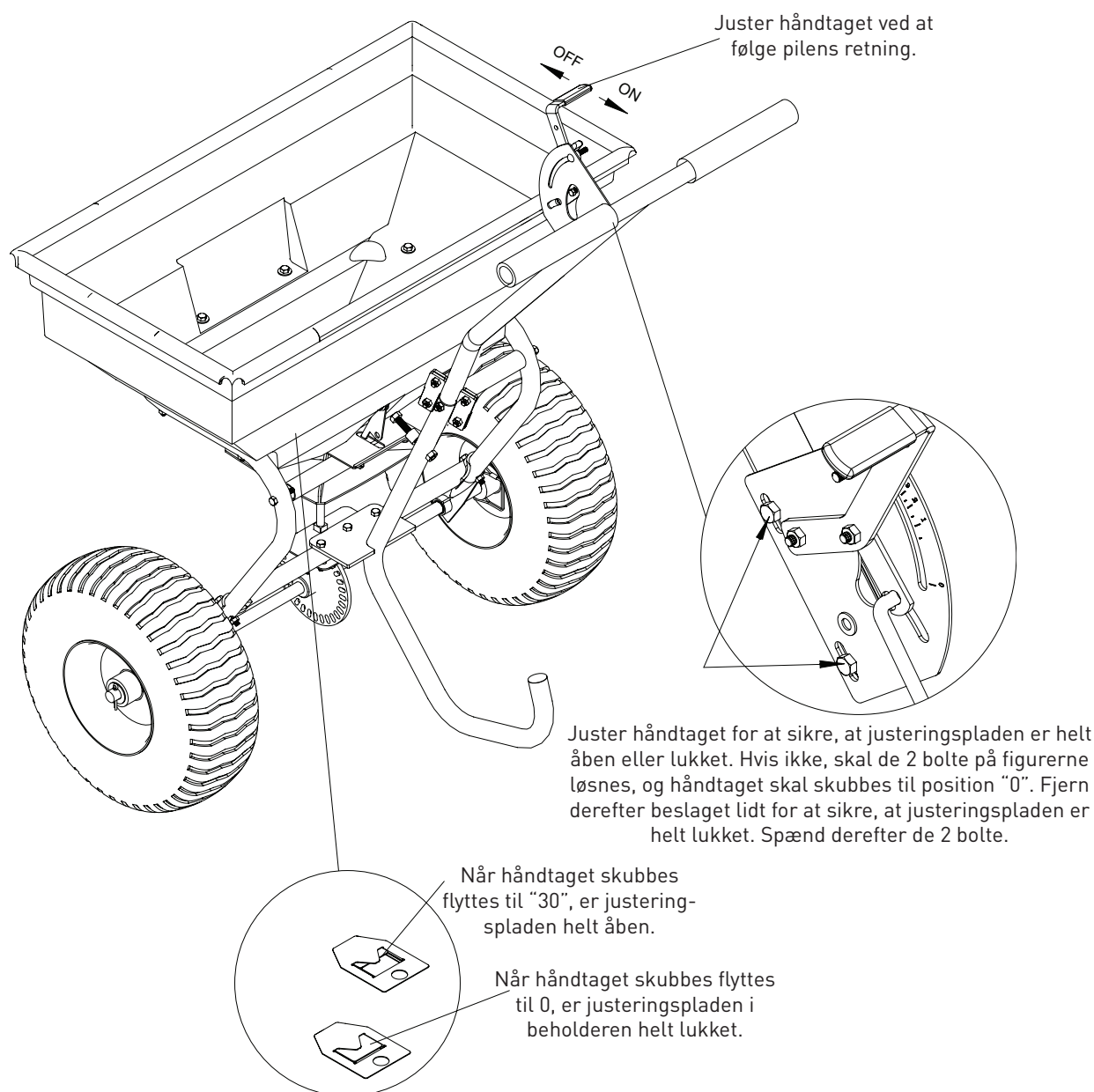
1. Efterse sprederen før hver brug. Kontroller, at hjulene drejer let rundt, og gearkassen bevæger sig, når sprederen skubbes. Beholderen skal være ren og fri for revner.
2. Sprederen er beregnet til spredning af et udvalg af materialer (gødning, græsfrø og optøningsmiddel). Materialer som f.eks. pulver, gylle, topdressing, grus og muld har fysiske egenskaber, der gør, at de IKKE må bruges i denne spreder.
3. Brug ikke sprederen i kraftig blæst ved spredning af græsfrø eller ukrudtsmiddel.
4. Bestem det omtrentlige areal, der skal dækkes, og beregn hvor meget materiale, der skal bruges. Se gødningsproducentens anbefalinger. Knus eventuelle klumper i gødningen, når du fylder beholderen.
5. Før påfyldning af beholderen skal doseringsgrebet stå i positionen "0", så doseringspladen er lukket.
6. Indstil det justerbare stop med doseringshåndtaget i positionen "0". Hver gang du skal stoppe eller vende, skal du lukke for doseringspladen for at stoppe udbringning af materiale og fortsætte endnu et skridt. Det giver mindre spild, og du undgår at ødelægge plænen ved at dække den med for meget produkt.
7. Følg gødningsproducentens anbefalede dækningsgrad for hvert produkt.
8. Hvis du går med forskellig hastighed, skal doseringen justeres for at få ensartet dækning. Reducer doseringen ved lavere hastigheder, og øg doseringen ved højere hastigheder.
9. Hold skovlhjulspladen vandret under brug af sprederen. Vipning af sprederen vil give ujævn dækning.
10. Sørg for, at R-klemmen er monteret i beholderen, før sprederen startes.
11. Begynd altid at gå, før du åbner lukkepladen.
12. Luk altid for doseringspladen, før sprederen vendes eller standses.
13. Hvis der ved et uheld spredes for meget materiale på et lille område, skal du gennemvæde området grundigt med en haveslange eller sprinkler for at undgå afsvidning af plænen.
14. For at sikre ensartet dækning skal hvert enkelt spredningsmønster overlape det tidligere en smule.
15. Når materialet spredes, må det ikke ramme stedsegrønne træer, blomster eller buske.
16. Spred ikke for meget materiale. Følg den anbefalede dækningsgrad for hvert produkt. For meget udbragt materiale vil beskadige og forurene plænen.

DK



## JUSTERING AF DOSERINGEN

1. Du kan skubbe håndtaget op for at justere spredderens indstilling ved at følge pilens retning. Når håndtaget skubbes op til "30", er justeringspladen helt åben, når det skubbes til "0", er den helt lukket.
2. Løsn vingemøtrikken på beslaget, og flyt justeringsgrebet op eller ned afhængigt af den ønskede mængde materiale. Når håndtaget skubbes ned, frigives der mere materiale, og når håndtaget trækkes op, standses doseringen helt.
3. Spænd vingemøtrikken ved den ønskede position.

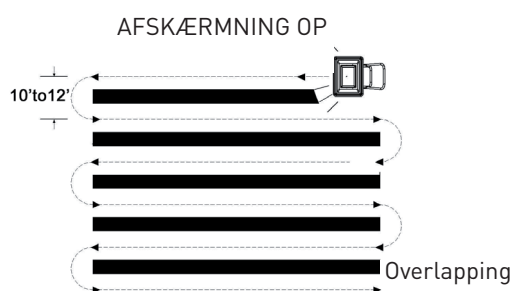




## ENSARTET DÆKNING

For at sikre ensartet dækning skal hvert enkelt spredningsmønster overlape det tidligere en smule som vist i figuren nedenfor. Den omtrentlige udkastningsbredde for forskellige materialer vises i påføringseskemaet.

DK



### ADVARSEL

Spred ikke for meget materiale. Følg den anbefalede dækningsgrad for hvert produkt. For meget udbragt materiale vil føre til skader og forurening. Hvis der ved et uheld spredes for meget materiale på et lille område, skal området gennemvædes grundigt med en haveslange eller sprinkler for at forhindre afsvidning.

# SPREDNINGSVEJLEDNING

## BEREGNING AF DEN NØDVENDIGE MATERIALEMÆNGDE

For at beregne mængden af gødning til dækning af plænen, skal du dividere dækningsmængden på etiketten med gødningssækkens vægt. For eksempel vil en pose med 5 kg gødning og en dækning af 1000 m<sup>2</sup> udbringe 1 kg gødning for hver 100 m<sup>2</sup> ved fuld dosering eller 0,5 kg gødning for hver 100 m<sup>2</sup> ved halv dosering. Forudberegnete doseringer kan findes i skema A (eksempel: 10 kg pose med dækning af 1500 m<sup>2</sup> = 0,7 kg pr. 100 m<sup>2</sup>. Brug skema B til at finde den nærmeste sprederindstilling (eksempel: 0,7 kg pr. 100 m<sup>2</sup> = sprederindstilling 8).

### Skema A - m<sup>2</sup>-dækning pr. sæk\*

Vægt af sæk (LBS.)	KG/100 M <sup>2</sup>		
	DEKKING VAN 5000 SQ FT	DEKKING VAN 10.000 SQ FT	DEKKING VAN 15.000 SQ FT
DÆKNING	5.000 M <sup>2</sup>	0,5 LB	0,3 LB
DÆKNING	10.000 M <sup>2</sup>	1,0 LB	0,7 LB
DÆKNING	15.000 M <sup>2</sup>	1,5 LB	1,0 LB
DÆKNING	4,0 LB	2,0 LB	1,3 LB
5	0,5 KG	0,25 KG	0,15 KG
10	1,0 KG	0,5 KG	0,35 KG
15	1,5 KG	0,75 KG	0,5 KG
20	2,0 KG	1,0 KG	0,65 KG
25	2,5 KG	1,25 KG	0,85 KG
30	3,0 KG	1,5 KG	1,0 KG
35	3,5 KG	1,75 KG	1,15 KG
40	4,0 KG	2,0 KG	1,35 KG
45	4,5 KG	2,25 KG	1,5 KG
50	5,0 KG	2,5 KG	1,65 KG
55	5,5 KG	2,75 KG	1,85 KG

\*Dette er anslåede mængder, faktiske mængder kan variere.

### Skema B - sprederindstilling / spredningsbredder

FORSKELLIG BRUG	LBS/1.000 KVADRATFOD	SPREDER INDSTILLING	• SPREDNING AF SMÅ PARTIKLER	• SPREDNING AF MELLESTORE PARTIKLER	• SPREDNING AF STORE PARTIKLER
GØDNING	1	5	5-6 FT	6-9 FT	9-12 FT
	2	8	5-6 FT	6-9 FT	9-12 FT
	3	10	5-6 FT	6-9 FT	9-12 FT
	4	13	5-6 FT	6-9 FT	9-12 FT
	5	15	5-6 FT	6-9 FT	9-12 FT
GRÆSFRØ	6	18	5-6 FT	6-9 FT	9-12 FT
	7	20	5-6 FT	6-9 FT	9-12 FT
OPTØNINGSMIDDEL	8	23	5-6 FT	6-9 FT	9-12 FT
	9	25	5-6 FT	6-9 FT	9-12 FT
	10	28	5-6 FT	6-9 FT	9-12 FT
	11	30	5-6 FT	6-9 FT	9-12 FT

**BEMÆRK: BRUG IKKE SALT.** Brug af salt i denne spreder vil beskadige mekanismen og forkorte maskinens levetid.

## ONDERHOUD EN OPSLAG

### ADVARSEL

Forkert vedligeholdelse og opbevaring af skubbesprederen kan gøre garantien ugyldig.

### VEDLIGEHOLDELSE

- Efter hver brug skal beholderen renses for materiale.
- Skyl/tør sprederen indvendigt og udvendigt efter hver brug.
- Kontroller før brug, at dækkene har det ANBEFALEDE DÆKTRYK på 30 PSI.
- Kontroller regelmæssigt, at alle samlinger er tilspændt.
- Rengør delene og smør dem lidt en gang om året.
- Brug blank emaljespraymaling til opfriskning af ridsede eller slidte, lakerede metaloverflader.
- Overskrid aldrig den nominelle lasteevne på 125 lbs (ca. 57 kg), da det vil beskadige sprederen.

### VIGTIGT:

Hvis en del skal udskiftes, må der kun bruges reservedele, der opfylder producentens specifikationer.

Reservedele, der ikke opfylder specifikationerne, kan føre til sikkerhedsrisiko eller dårlig funktionsevne.

### OPBEVARING

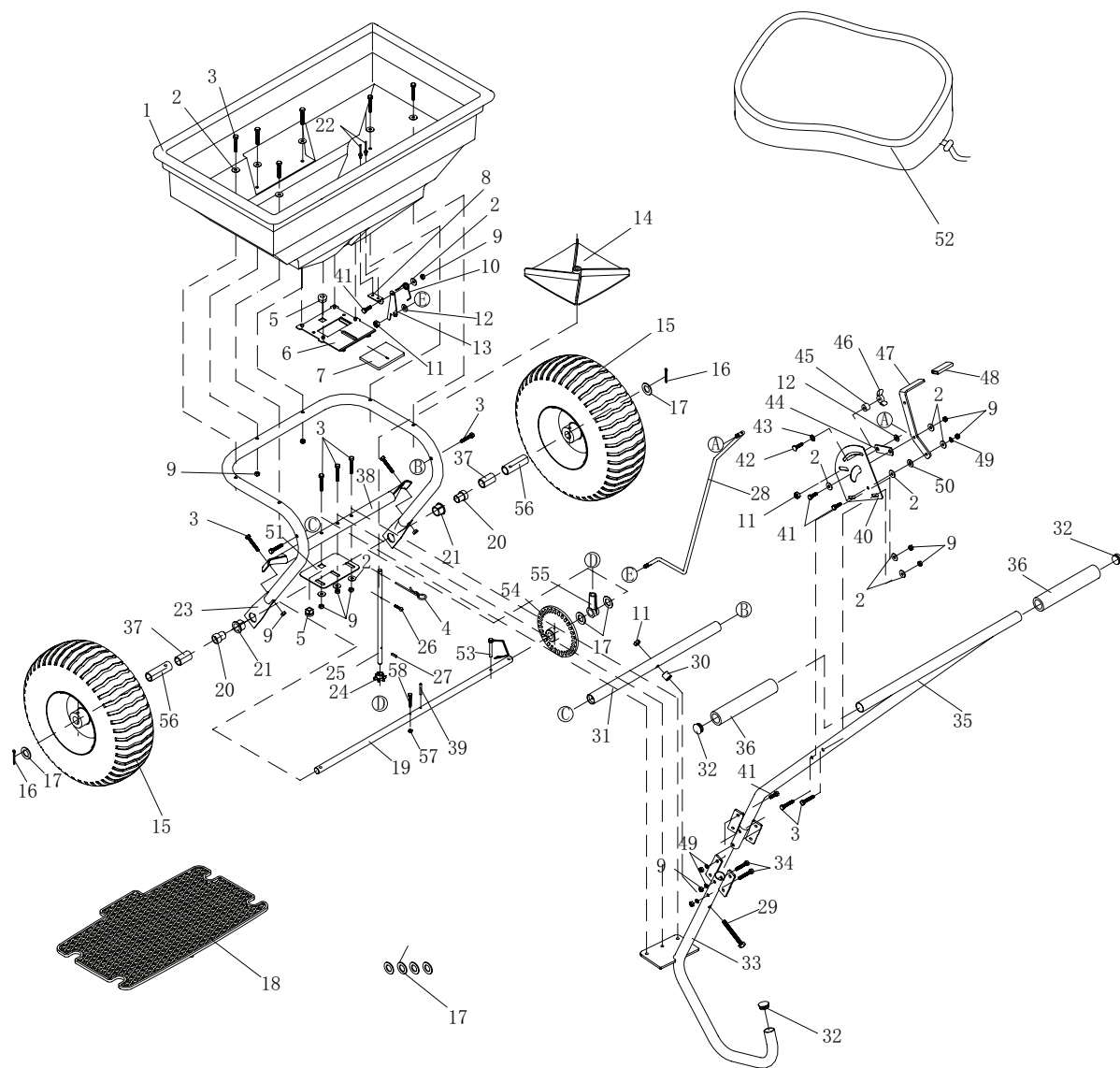
- Lad aldrig materiale blive i beholderen i længere tid.
- Før opbevaring skal det kontrolleres, at sprederen er ren og tør, for at sikre mange års problemfri brug.
- Skal opbevares indendørs eller i et beskyttet område under ekstreme vejrforhold og i vintermånederne.

## SPECIFIKATIONER

Lasteevne: 125 lb (ca. 57 kg)
Spredertype: Udkaster
Beholdermateriale: Polypropylen
Beholderdimensioner: 29 1/2" x 16 1/2" x 13 1/2"
Samlede dimensioner: 44" x 31 1/2" x 35 1/2"
Hjulstørrelse: 15"
Dæktryk (PSI): 30
Enhedens vægt: 38lb (ca. 57 kg)

# TEGNING OVER DELE OG STYKLISTE

DK



**DK**

Ref. nr.	Beskrivelse	Ant.	Ref. nr.	Beskrivelse	Ant.
1	Beholder	1	30	Afstandsstykke	1
2	Stor fladskive Ø6	16	31	Fast tværstang	1
3	Sekskantbolt M6x40	15	32	Plasthætte	3
4	R-klemme Ø3	1	33	Støttestang	1
5	Leje	2	34	Sekskantbolt M6x35	2
6	Fast justeringsplade	1	35	Håndgreb	1
7	Aktiv justeringsplade	1	36	Håndtagsdæksel	2
8	Sokkel til fjeder	1	37	Akselbøsning	2
9	Sekskantet Låsemøtrik M6	22	38	Tværstang	1
10	Fjeder	1	39	Spændstift Ø4x30	1
11	Sekskantet Låsemøtrik M8	3	40	Beslag	1
12	Fladskive Ø8	2	41	Sekskantbolt M6x20	7
13	Fast plade til forbindelsesstang	1	42	Bærebolt M6x25	1
14	Skovlhjul	1	43	Spændeskive Ø8	1
15	Hjul	2	44	Flangeplade	1
16	Split Ø5x35	2	45	Afstandsstykke	1
17	Fladskive Ø16	8	46	Vingemøtrik M6	1
18	Si	1	47	Justeringshåndtag	1
19	Aksel	1	48	Håndtagsdæksel	1
20	Indvendig akselbøsning	2	49	Fjederskive Ø6	7
21	Udvendig akselbøsning	2	50	Nylonskive	1
22	Nitte Ø5x8	2	51	Akselstøtteplade	1
23	Ramme	1	52	Regndæksel	1
24	Spidshjul	1	53	Stift	1
25	Drejeakslen	1	54	Gear (drivenhed)	1
26	Skrue M4x20	1	55	Akselstøttedæksel	1
27	Fjederstift Ø3x16	1	56	Hjulbøsning	2
28	Forbindelsesled	1	57	Sekskantet Låsemøtrik M5	1
29	Sekskantbolt M8x75	1	58	Sekskantbolt M5x40	1

## ADVERTENCIAS GENERALES

**LEA este manual y asegúrese de ENTENDER todo el contenido antes de utilizar el carro esparcidor.**

El operario debe leer y entender todas las advertencias e indicaciones de seguridad, las instrucciones de uso y las instrucciones de mantenimiento y almacenamiento antes de utilizar este equipo. Si no utiliza o mantiene el carro esparcidor correctamente, el operario o las personas próximas podrían sufrir lesiones de gravedad.

### Advertencias de uso

- No transporte personas en el esparcidor.
- No deje que los niños jueguen con el esparcidor ni que se suban a él.
- Inspeccione siempre el esparcidor antes de utilizarlo para verificar que funcione correctamente.
- Sustituya o repare las piezas dañadas o desgastadas de inmediato.
- Compruebe y apriete las piezas de tornillería y las piezas de montaje antes de utilizarlo.
- No supere la capacidad de carga máxima (125 libras).
- No se acerque a socavones ni zanjas mientras esté transportando alguna carga.
- Tenga cuidado al trabajar en pendientes pronunciadas (por ejemplo, colinas), ya que el esparcidor puede volcar.
- No trabaje cerca de zanjas ni vías públicas.
- No utilice el esparcidor con viento si está esparciendo semillas de gramíneas o herbicidas.
- Proceda con cuidado durante la carga y descarga del esparcidor.
- No remolque el esparcidor con un vehículo de motor.

### Peligro de corte y aplastamiento

- Mantenga siempre manos y pies alejados de las piezas móviles durante el uso del equipo.
- Mantenga la zona de trabajo limpia y despejada durante el uso del equipo.
- Utilice siempre prendas de seguridad, gafas de protección, guantes y botas de trabajo durante el uso del esparcidor.





### ADVERTENCIA

Las advertencias, precauciones e instrucciones indicadas en el presente manual de instrucciones no abarcan todas las condiciones y situaciones que pueden producirse. El operario debe ser consciente de que el sentido común y la precaución son factores que no se pueden integrar en el producto.

### Se necesita montaje.

Es necesario montar este producto antes de utilizarlo. Consulte la sección correspondiente para obtener información sobre las instrucciones de montaje. Debido al peso y al tamaño del carro esparcidor, se recomienda solicitar la ayuda de otro adulto para efectuar el montaje. **INSPECCIONE MINUCIOSAMENTE TODOS LOS COMPONENTES** tras la entrega del producto para verificar que no falta ninguno y que no están dañados.

## TÉRMINOS DE ADVERTENCIA

	Este es el símbolo de advertencia de seguridad. Sirve para informarle de posibles lesiones personales. Siga todas las instrucciones de seguridad que dispongan de este símbolo para evitar lesiones y peligro de muerte.
 <b>PELIGRO</b>	<b>PELIGRO:</b> Indica una situación de peligro inminente que, de no evitarse, provocará lesiones graves e incluso la muerte.
 <b>ADVERTENCIA</b>	<b>ADVERTENCIA:</b> Indica una situación potencialmente peligrosa que, de no evitarse, puede provocar lesiones graves e incluso la muerte.
 <b>PRECAUCIÓN</b>	<b>PRECAUCIÓN:</b> Indica una situación potencialmente peligrosa que, de no evitarse, puede provocar lesiones leves o moderadas.
<b>PRECAUCIÓN</b>	<b>PRECAUCIÓN:</b> Si se utiliza esta palabra sin el correspondiente símbolo de seguridad, indica una situación potencialmente peligrosa que, de no evitarse, puede provocar daños materiales.

### ACERCA DEL CARRO ESPARCIDOR

Este carro esparcidor está diseñado para utilizarse con una gran cantidad de materiales diferentes: fertilizantes, semillas de gramíneas y sal para deshielo. Los materiales en polvo y otro tipo de materiales como el estiércol, los compuestos para suelos orgánicos, la gravilla y el mantillo tienen unas características físicas que los hacen inadecuados para este esparcidor. No supere la capacidad de carga nominal (125 libras) al utilizar el esparcidor.

Deberá empujar el esparcidor a una velocidad de tres millas por hora, equivalente a un paso enérgico. Si lo empuja a menor o mayor velocidad, el patrón de esparcimiento se verá modificado. Si esparce materiales húmedos, también cambiarán tanto el patrón como la cantidad esparcida. Limpie a fondo el esparcidor tras cada uso. Deberá lavar la zona comprendida entre la placa de cierre y la parte inferior de la tolva.

Puede consultar las especificaciones técnicas del carro esparcidor en la sección sobre especificaciones del presente manual.



## DESCRIPCIÓN DE CONTROLES Y FUNCIONES

Lea atentamente este manual de usuario antes de utilizar el equipo. Familiarícese con la ubicación y las funciones de los controles y funciones. Guarde este manual para futuras consultas.



1. **Manillar:** permite empujar y mover el esparcidor con facilidad.
2. **Control de flujo:** controla el flujo de material esparcido.
3. **Tolva:** no supere la capacidad de carga nominal (125 libras).
4. **Neumáticos/ruedas:** no supere el valor nominal recomendado (20 PSI).
5. **Impulsor:** distribuye el material de manera uniforme.
6. **Pata de soporte:** permite estabilizar la carga y el esparcidor.

### PRECAUCIÓN

Lea y siga todas las instrucciones de uso y montaje. Si no monta el equipo correctamente, el usuario o las personas próximas podrían sufrir lesiones de gravedad o el equipo podría sufrir daños.


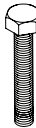
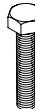
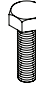
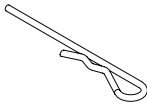
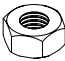
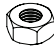
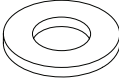



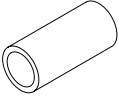
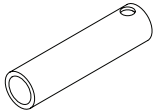



## PIEZAS Y MONTAJE DEL CARRO ESPARCIDOR

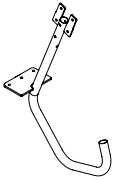

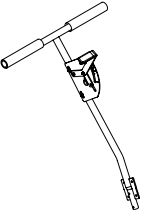
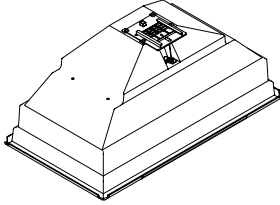
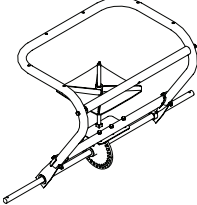
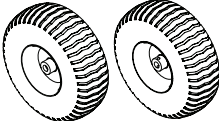

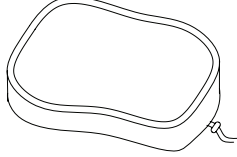
Saque todas las piezas del embalaje e inspeccione los componentes para verificar que no falta ninguno antes de proceder al montaje del carro esparcidor. Para montar el esparcidor, siga los pasos 1 a 5.

### HERRAMIENTAS NECESARIAS

- Alicates (2 uds.)
- Llaves de 8 mm (2 uds.)
- Llaves de 10 mm (2 uds.)
- Llave de 13 mm
- Llave de 14 mm

# COMPONENTES

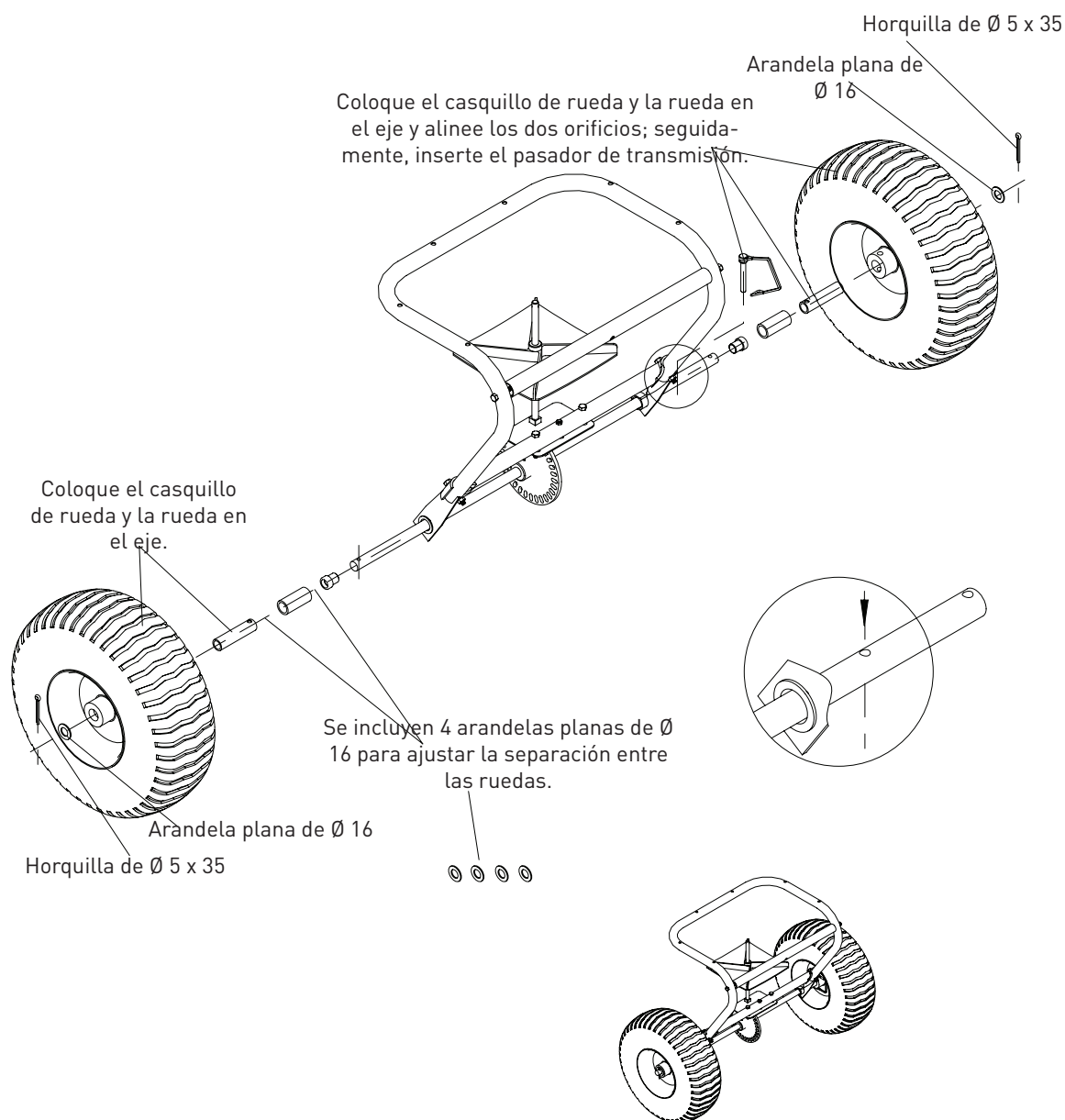
<p>Perno hexagonal M8 x 75 1 unidad</p> 	<p>Perno hexagonal M6 x 40 6 unidades</p> 	<p>Perno hexagonal M6 x 35 2 unidades</p> 	<p>Perno hexagonal M6 x 20 4 unidades</p> 	<p>Pasador beta de Ø 3 1 unidad</p> 	
<p>Contratuera M8 3 unidades</p> 	<p>Contratuera M6 12 unidades</p> 	<p>Arandela plana de Ø 16 6 unidades</p> 	<p>Arandela plana de Ø 8 2 unidades</p> 	<p>Arandela plana grande de Ø 6 6 unidades</p> 	<p>Arandela elástica de Ø 6 6 unidades</p> 
<p>Casquillo 2 unidades</p> 	<p>Casquillo 2 unidades</p> 	<p>Pasador de transmisión 1 unidad</p> 	<p>Separador 1 unidad</p> 	<p>Horquilla de Ø 5 x 35 2pcs</p> 	

<p>Pata de soporte 1 unidad</p> 	<p>Varillaje sólido 1 unidad</p> 	<p>Palanca ya montada 1 unidad</p> 	<p>Tolva 1 unidad</p> 
<p>Conjunto de bastidor de tubos 1 unidad</p> 	<p>Rueda 2 unidades</p> 	<p>Rejilla 1 unidad</p> 	<p>Cubierta antilluvia 1 unidad</p> 

## PASO 1: INSTALACIÓN DE LAS RUEDAS

1. En el lado izquierdo del eje, instale un casquillo de rueda y un separador.
2. Coloque una rueda en el eje.
3. Coloque una arandela plana de  $\varnothing 16$  en el eje; inserte la horquilla por el orificio y dóblela para fijarla.
4. En el lado derecho del eje, instale un casquillo de rueda y un separador.
5. Coloque una rueda en el eje, alinee los orificios, inserte el pasador de transmisión por el manguito y bloquee.
6. Coloque una arandela plana de  $\varnothing 16$  en el eje; inserte la horquilla por el orificio y dóblela para fijarla.

**NOTA:** Se incluyen cuatro arandelas planas adicionales para ajustar la separación entre las ruedas.

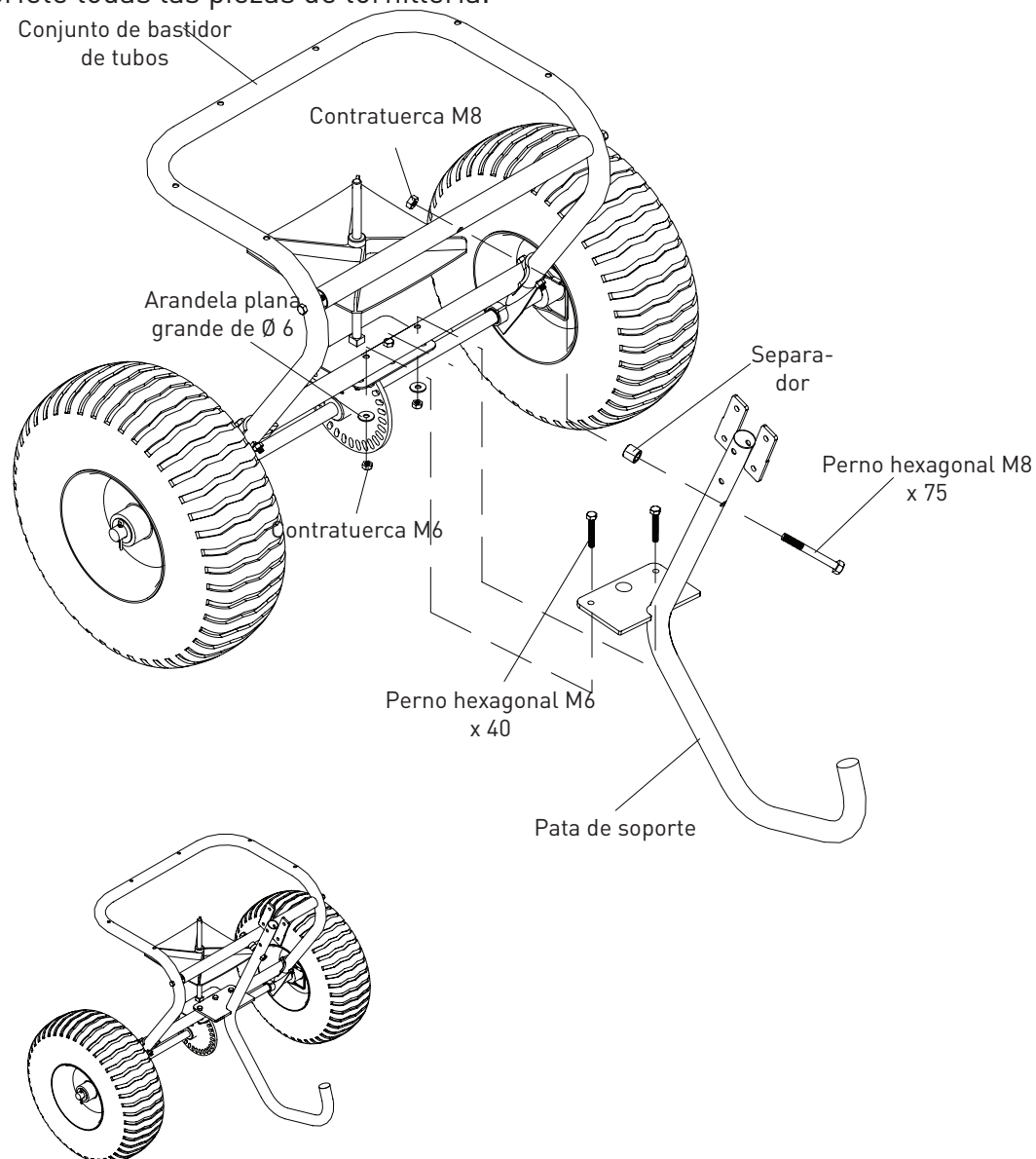


## PASO 2: MONTAJE DE LA PATA DE SOPORTE

1. Coloque la pata de soporte de forma que el extremo doblado en forma de J quede orientado en sentido opuesto al conjunto de las ruedas.
2. Introduzca el perno hexagonal M8 x 75 en el orificio superior de la pata de soporte y coloque el separador en el extremo del perno.
3. Coja la pata de soporte e inserte el perno en la barra transversal superior del conjunto de montaje; apriete ligeramente con la contratuerca M8.

**NOTA:** Antes de apretar el perno, asegúrese de que la brida de la pata de soporte y los orificios de la barra transversal inferior estén alineados.

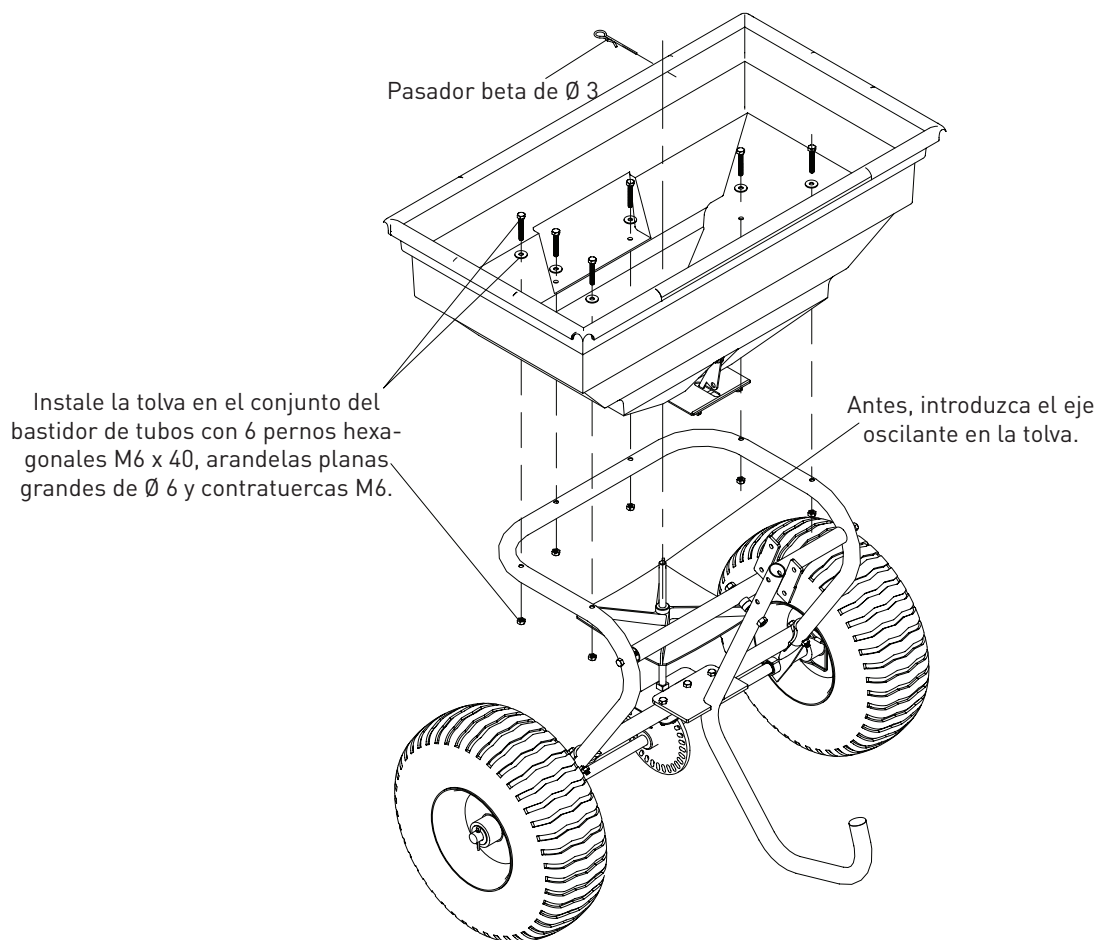
4. Introduzca un perno hexagonal M6 x 40 en los orificios de la brida y la barra transversal. Utilice la arandela plana grande de  $\varnothing 6$  y la contratuerca M6, y apriete todas las piezas de tornillería.



ES

## PASO 3: INSTALACIÓN DE LA TOLVA

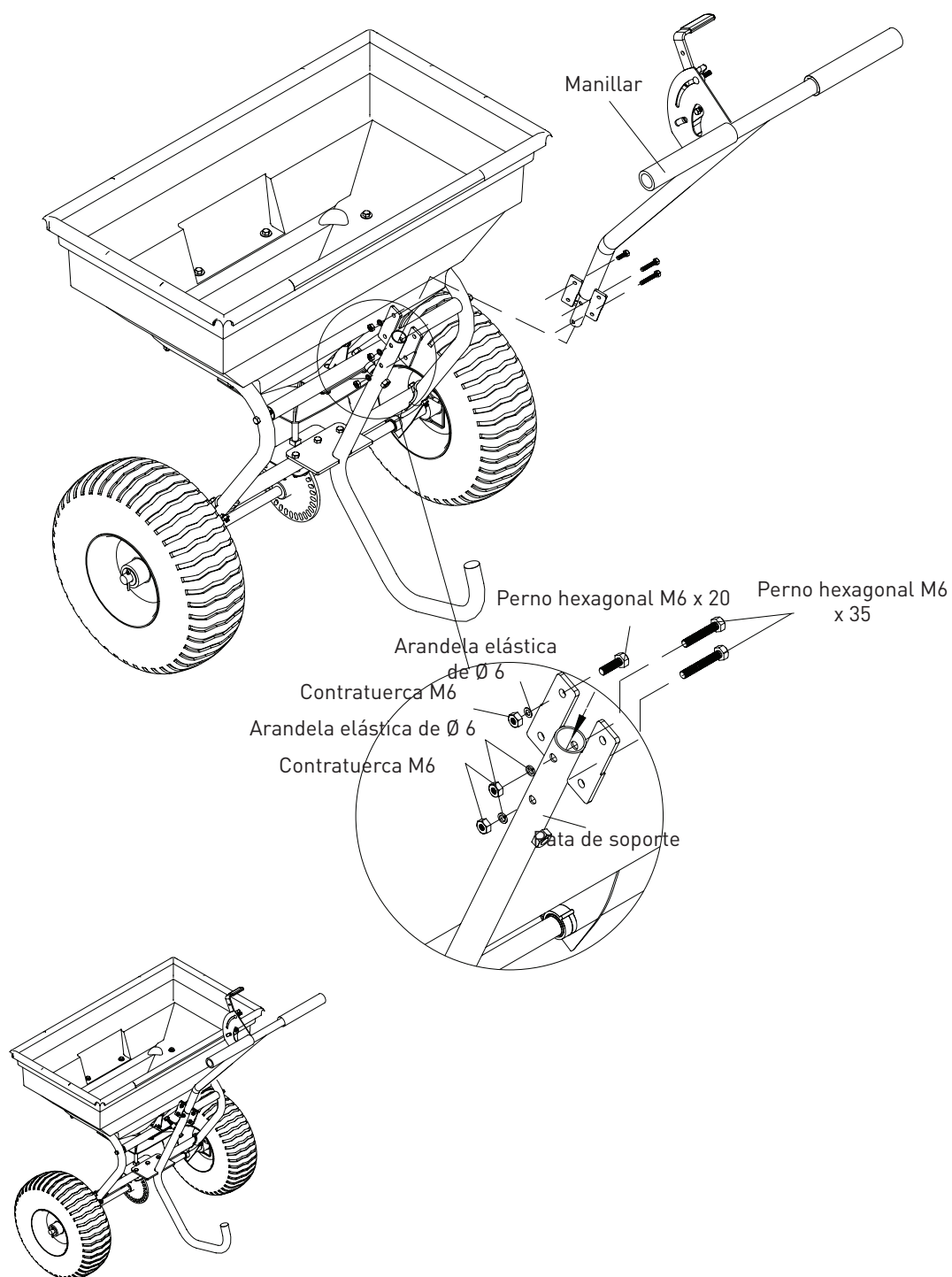
1. Baje la tolva y colóquela sobre el conjunto de montaje. Alinee cuidadosamente los orificios de la parte inferior de la tolva con el husillo de la placa de montaje del eje.
2. Utilice el perno hexagonal M6 x 40 y la arandela plana de  $\varnothing 6$  para fijar la tolva al conjunto de montaje y sujétela con una contratuerca M6.
3. Asegúrese de que el engranaje y el piñón funcionen correctamente. De no ser así, continúe con el ajuste hasta que tanto el engranaje como el piñón puedan girar correctamente.
4. Apriete todas las piezas de tornillería de la placa de soporte del eje y la tolva.
5. Inserte el pasador beta en la parte superior del husillo.



ES

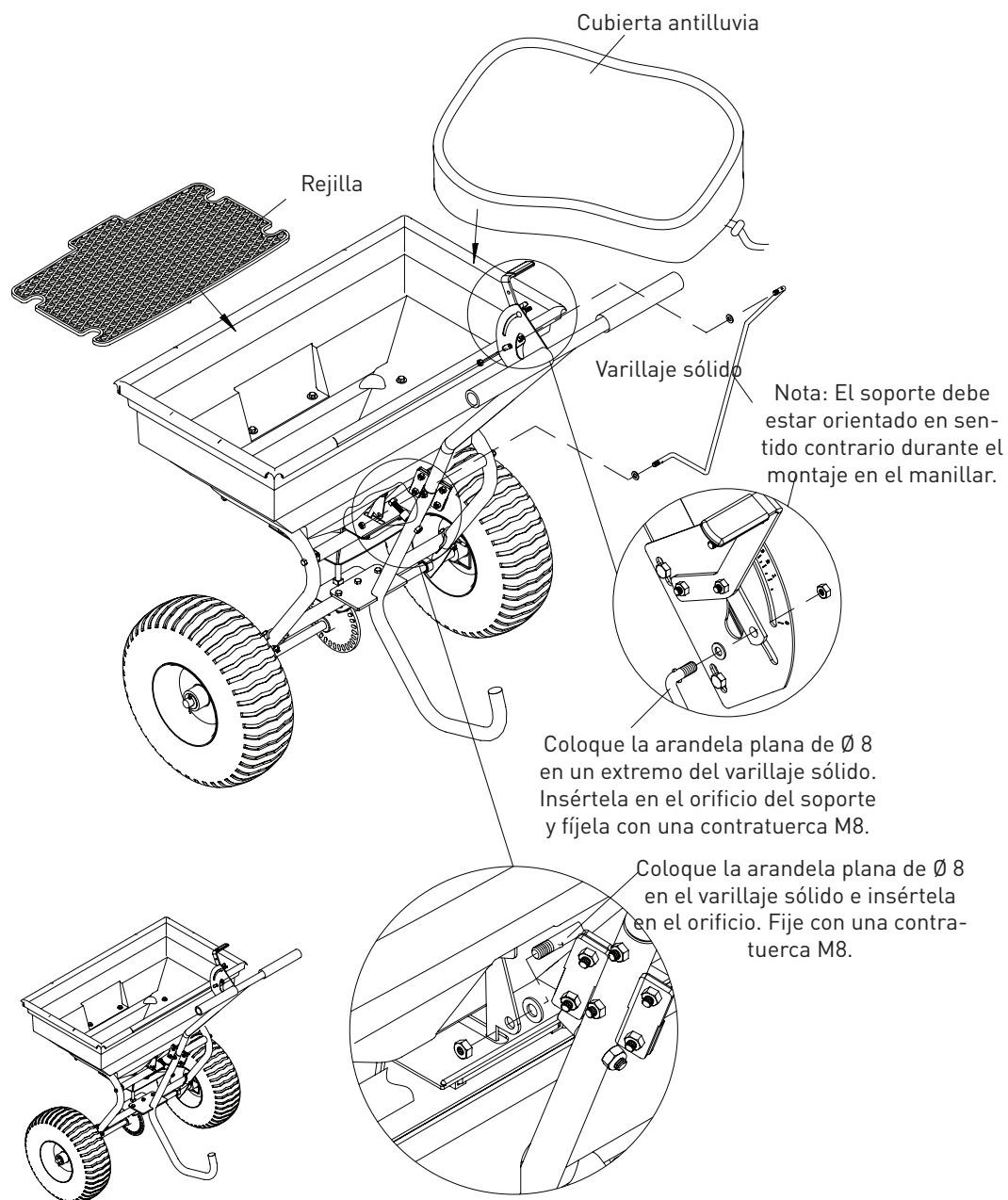
## PASO 4: CONEXIÓN DEL MANILLAR A LA PATA DE SOPORTE

1. Inserte el tubo del manillar en la parte superior de la pata de soporte y alinee los dos orificios.
2. Introduzca los pernos hexagonales M6 x 35 en los dos orificios de la pata de soporte y fíjelos con arandelas elásticas de  $\varnothing 6$  y contratuerca M6.
3. Introduzca el perno hexagonal M6 x 20 en el orificio de la placa lateral y fíjelo con una arandela elástica de  $\varnothing 6$  y una contratuerca M6.



## PASO 5: CONEXIÓN DEL VARILLAJE SÓLIDO

1. Conecte el varillaje sólido a través de la placa fija inferior con la arandela plana de  $\varnothing 8$  y fíjelo con una contratuerca M8.
2. Conecte el otro extremo del varillaje al control de flujo con una arandela plana de  $\varnothing 8$  y una contratuerca M8.
3. Instale la rejilla de la tolva en la parte inferior de la tolva.
4. Antes de utilizar el esparcidor, compruebe que todas las piezas de tornillería estén apretadas.
5. Utilice la cubierta antilluvia cuando proceda para proteger el material de la tolva o cuando almacene el esparcidor.



ES

# INSTRUCCIONES DE USO

## ADVERTENCIA

Antes de utilizar el carro esparcidor, lea las siguientes instrucciones e indicaciones de seguridad. Si no sigue estas instrucciones, el operario o las personas próximas podrían sufrir lesiones o podrían producirse daños materiales.

## USO DEL ESPARCIDOR

1. Inspeccione el esparcidor antes de cada uso. Verifique que las ruedas puedan girar libremente y que la caja de transmisión se mueva al empujar el esparcidor. La tolva debe estar limpia y libre de grietas.
- 2- Este esparcidor está diseñado para utilizarse con una gran cantidad de materiales diferentes: fertilizantes, semillas de gramíneas y sal para deshielo. Los materiales en polvo y otro tipo de materiales como el estiércol, los compuestos para suelos orgánicos, la gravilla y el mantillo tienen unas características físicas que los hacen inadecuados para este esparcidor.
3. No utilice el esparcidor con viento si está esparciendo semillas de gramíneas o herbicidas.
4. Calcule el área aproximada de la zona sobre la que desea esparcir material y estime la cantidad de material necesario para hacerlo. Consulte las recomendaciones del fabricante del fertilizante. Deshaga las acumulaciones de fertilizante mientras llena la tolva.
5. Antes de llenar la tolva, compruebe que la palanca de control de flujo esté en la posición "0" y que la placa de control de flujo esté cerrada.
6. Coloque el tope ajustable con la palanca de control de flujo siempre en la posición "0". Cuando necesite hacer una parada o dar la vuelta, cierre la placa de control de flujo para detener el esparcimiento de material y continúe por la nueva hilera. De este modo, reducirá la cantidad de desechos y evitará cubrir el césped en exceso a fin de evitar dañarlo.
7. Siga las recomendaciones del fabricante con respecto a la cantidad de producto que debe aplicar.
8. Para mantener una cobertura uniforme al moverse a diferentes velocidades, ajuste la cantidad de flujo. Reduzca la cantidad de flujo para velocidades más lentas y aumentela para velocidades más rápidas.
9. Mantenga la placa del impulsor en posición horizontal durante el uso del esparcidor. Si inclina el esparcidor, la cobertura no será uniforme.
10. Compruebe que el pasador beta está instalado en la tolva antes de comenzar a utilizar el esparcidor.
11. Comience a caminar antes de abrir la placa de cierre.
12. Cierre la placa de control de flujo antes de efectuar un giro o detener el esparcidor.
13. Si deposita por error una gran cantidad de material en una zona pequeña, límpiela abundantemente con una manguera de jardín o un aspersor para evitar quemar el césped.
14. Para conseguir una cobertura uniforme, asegúrese de solapar ligeramente el nuevo patrón de cobertura sobre el patrón de cobertura inmediatamente anterior.
15. Durante el esparcimiento de material, asegúrese de seguir un patrón que no cubra árboles perennes, flores ni arbustos.
16. No aplique un exceso de material. Siga las cantidades recomendadas para cada producto. Si aplica una cantidad excesiva, dañará y contaminará el césped.

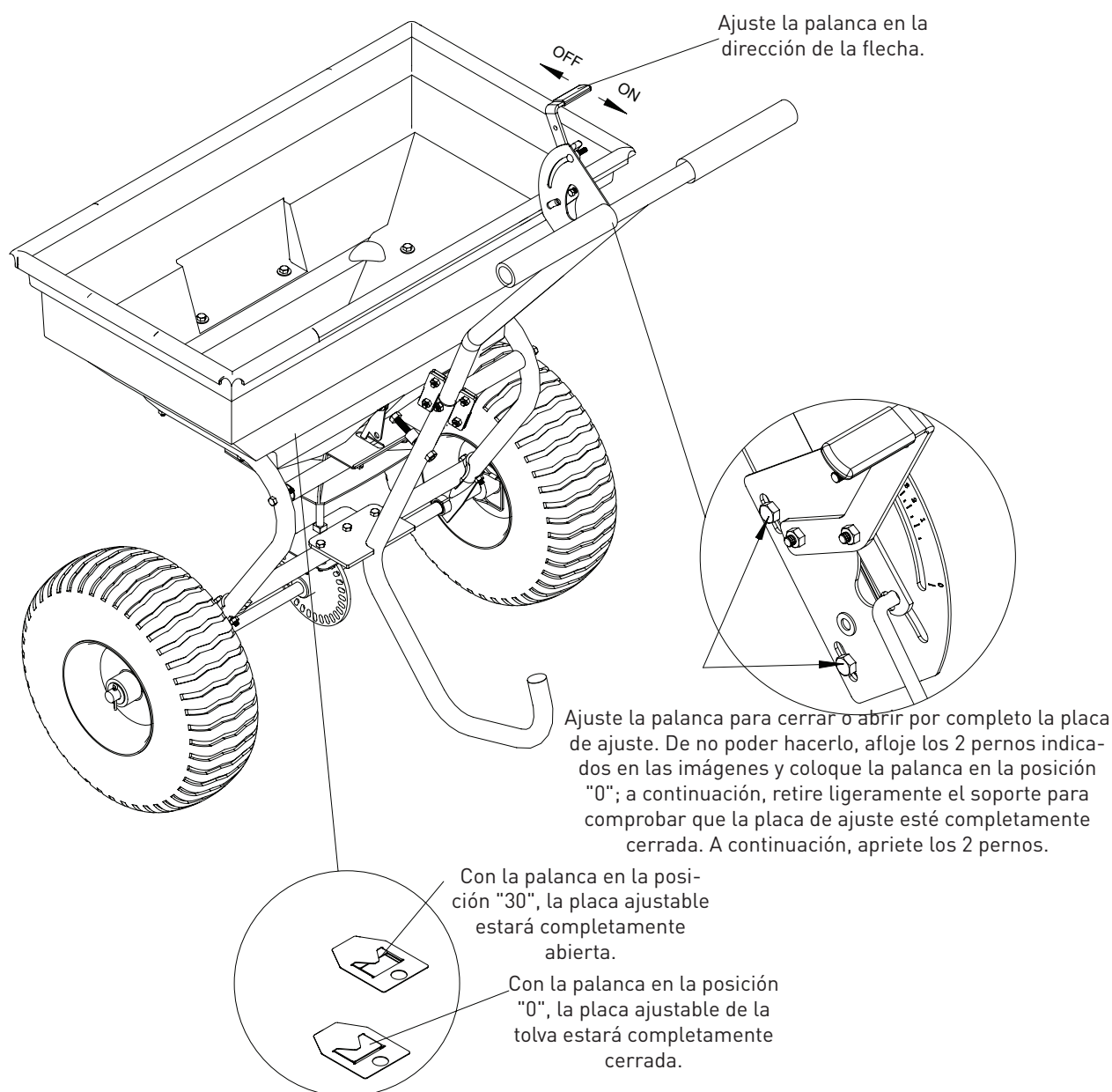


# INSTRUCCIONES DE USO

ES

## AJUSTE DEL FLUJO

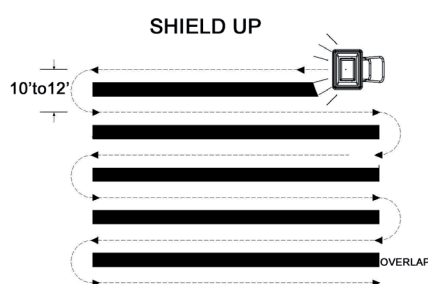
1. Puede mover la palanca hacia arriba para modificar el ajuste del esparcidor siguiendo la dirección de la flecha. Con la palanca en la posición "30", la placa ajustable estará completamente abierta; en la posición "0", estará completamente cerrada.
2. Afloje la tuerca de mariposa del soporte y mueva la palanca de ajuste arriba o abajo, en función de la cantidad de material que necesite. Al empujar la palanca hacia abajo, se liberará más material; si tira de ella hacia arriba, detendrá el flujo por completo.
3. Apriete la tuerca de mariposa cuando consiga la posición deseada.



# INSTRUCCIONES DE USO

## COBERTURA UNIFORME

Para conseguir una cobertura uniforme, asegúrese de solapar ligeramente el nuevo patrón de cobertura sobre el patrón de cobertura inmediatamente anterior, como se muestra en la siguiente figura. En el cuadro de aplicación se muestran las anchuras aproximadas de esparcimiento para diferentes materiales.



### ADVERTENCIA

No aplique un exceso de material. Siga las cantidades recomendadas para cada producto. Si aplica una cantidad excesiva, dañará y contaminará el sustrato. Si deposita por error una gran cantidad de material en una zona pequeña, límpiela abundantemente con una manguera de jardín o un aspersor para evitar quemar el sustrato.

# INSTRUCCIONES DE ESPARCIMIENTO

## CÁLCULO DE LA CANTIDAD DE MATERIAL NECESARIA

Para calcular la cantidad de fertilizante necesaria para cubrir su césped, divida la cantidad de cobertura indicada en la etiqueta entre el peso del saco de fertilizante. Por ejemplo, un saco de fertilizante de 10 libras para cubrir 10.000 pies cuadrados permitirá esparcir 1 libra de fertilizante por cada 1.000 pies cuadrados a velocidad máxima o 1/2 libra de fertilizante por cada 1.000 pies a la mitad de velocidad. En la tabla A se indican una serie de coberturas ya calculadas (por ejemplo: una bolsa de 25 libras con una cobertura de 15.000 pies cuadrados = 1,7 libras/1.000 pies cuadrados). En la tabla B se indican los ajustes del esparcidor más parecidos (por ejemplo: 1,7 libras/1.000 pies cuadrados = un ajuste del esparcidor de 8).

**Tabla A - Cobertura en pies cuadrados por saco\***

Peso del saco (libras)	libras/1.000 pies cuadrados		
	COBERTURA DE 5.000 PIES CUADRADOS	COBERTURA DE 10.000 PIES CUADRADOS	COBERTURA DE 15.000 PIES CUADRADOS
5	1,0 libras	0,5 libras	0,3 libras
10	2,0 libras	1,0 libras	0,7 libras
15	3,0 libras	1,5 libras	1,0 libras
20	4,0 libras	2,0 libras	1,3 libras
25	5,0 libras	2,5 libras	1,7 libras
30	6,0 libras	3,0 libras	2,0 libras
35	7,0 libras	3,5 libras	2,3 libras
40	8,0 libras	4,0 libras	2,7 libras
45	9,0 libras	4,5 libras	3,0 libras
50	10,0 libras	5,0 libras	3,3 libras
55	11,0 libras	5,5 libras	3,7 libras

\* Estos valores son meras estimaciones. Las cantidades reales pueden variar.

**Tabla B - Ajustes del esparcidor/anchuras de esparcimiento**

DIFERENTES USOS	libras/1.000 pies cuadrados	AJUSTE DEL ESPARCIDOR	● ESPARCIMIENTO DE PARTÍCULAS PEQUEÑAS	● ESPARCIMIENTO DE PARTÍCULAS MEDIANAS	● ESPARCIMIENTO DE PARTÍCULAS GRANDES
FERTILIZANTE	1	5	5-6 pies	6-9 pies	9-12 pies
	2	8	5-6 pies	6-9 pies	9-12 pies
	3	10	5-6 pies	6-9 pies	9-12 pies
	4	13	5-6 pies	6-9 pies	9-12 pies
	5	15	5-6 pies	6-9 pies	9-12 pies
SEMILLAS DE GRAMÍNEAS	6	18	5-6 pies	6-9 pies	9-12 pies
	7	20	5-6 pies	6-9 pies	9-12 pies
	8	23	5-6 pies	6-9 pies	9-12 pies
SAL PARA DESHIELO	9	25	5-6 pies	6-9 pies	9-12 pies
	10	28	5-6 pies	6-9 pies	9-12 pies
	11	30	5-6 pies	6-9 pies	9-12 pies

**NOTA: NO UTILICE SAL.** Si utiliza sal con este esparcidor, el mecanismo sufrirá daños y reducirá la vida útil de la máquina.

## MANTENIMIENTO Y ALMACENAMIENTO

### ADVERTENCIA

Si no sigue las instrucciones de mantenimiento y almacenamiento del carro esparcidor, la garantía podría quedar invalidada.

### MANTENIMIENTO

- Después de cada uso, limpie el material de la tolva.
- Lave y seque el interior y el exterior del esparcidor después de cada uso.
- Antes de utilizarlo, compruebe que los NEUMÁTICOS TENGAN LA PRESIÓN RECOMENDADA (30 PSI).
- Compruebe periódicamente que todas las fijaciones estén apretadas correctamente.
- Limpie y lubrique ligeramente las piezas una vez al año.
- Pulverice esmalte de pintura para retocar las superficies metálicas que presenten arañazos o en las que se haya desgastado la pintura.
- No supere la capacidad de carga nominal (125 libras), ya que dañará el esparcidor.

### IMPORTANTE:

Si fuera necesario sustituir una pieza, utilice únicamente piezas que cumplan las especificaciones del fabricante. Las piezas de repuesto que no cumplan con estas especificaciones pueden suponer un riesgo para la seguridad o afectar negativamente al rendimiento.

### ALMACENAMIENTO

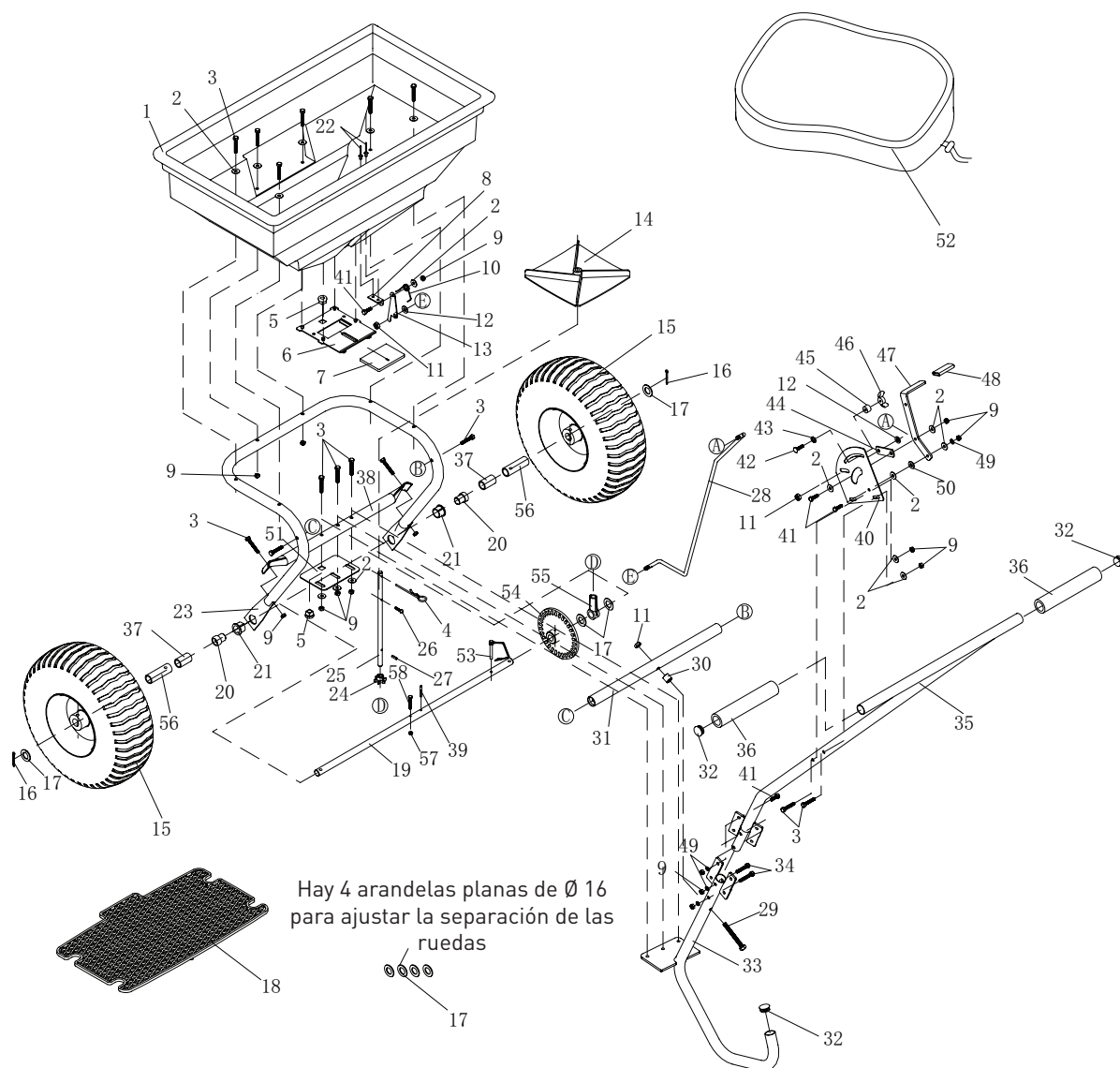
- No deje material en la tolva durante periodos de tiempo prolongados.
- Antes de almacenar el esparcidor, asegúrese de que esté limpio y seco. De esta forma, evitará problemas durante muchos años.
- Almacene el esparcidor en interiores o en zonas protegidas en condiciones climatológicas adversas y durante los meses de invierno.

## ESPECIFICACIONES

<b>Capacidad de carga:</b> 125 libras
<b>Tipo de esparcidor:</b> de voleo
<b>Material de la tolva:</b> polipropileno
<b>Dimensiones de la tolva:</b> 29 1/2" x 16 1/2" x 13 1/2"
<b>Dimensiones totales:</b> 44" x 31 1/2" x 35 1/2"
<b>Tamaño de las ruedas:</b> 15"
<b>Presión de los neumáticos (PSI):</b> 30
<b>Peso de la unidad:</b> 38 libras

# DIAGRAMA Y LISTA DE PIEZAS

ES



**ES**

N.º de ref.	Descripción	Cant.	N.º de ref.	Descripción	Cant.
1	Tolva	1	30	Separador	1
2	Arandela plana grande de Ø 6	16	31	Tubo transversal fijo	1
3	Perno hexagonal M6 x 40	15	32	Tapón de plástico	3
4	Pasador beta de Ø 3	1	33	Tubo de soporte	1
5	Cojinete	2	34	Perno hexagonal M6 x 35	2
6	Placa ajustable fija	1	35	Manillar	1
7	Placa ajustable activa	1	36	Cubierta del manillar	2
8	Base para muelle	1	37	Casquillo del eje	2
9	Contratuerca hexagonal M6	22	38	Tubo transversal	1
10	Muelle	1	39	Pasador elástico de Ø 4 x 30	1
11	Contratuerca hexagonal M8	3	40	Soporte	1
12	Arandela plana de Ø 8	2	41	Perno hexagonal M6 x 20	7
13	Placa fija para barra de conexión	1	42	Perno de carrocería M6 x 25	1
14	Impulsor	1	43	Arandela de bloqueo dentada de Ø 8	1
15	Rueda	2	44	Placa de conexión	1
16	Horquilla de Ø 5 x 35	2	45	Separador	1
17	Arandela plana de Ø 16	8	46	Tuerca de mariposa M6	1
18	Rejilla	1	47	Palanca de ajuste	1
19	Eje	1	48	Cubierta del manillar	1
20	Casquillo de eje interior	2	49	Arandela elástica de Ø 6	7
21	Casquillo de eje exterior	2	50	Arandela de nylon	1
22	Remache de Ø 5 x 8	2	51	Placa de soporte del eje	1
23	Conjunto de bastidor de tubos	1	52	Cubierta antilluvia	1
24	Piñón	1	53	Pasador de transmisión	1
25	Eje oscilante	1	54	Engranaje (conductor)	1
26	Tornillo M4 x 20	1	55	Tapón de soporte del eje	1
27	Pasador elástico de Ø 3 x 16	1	56	Casquillo de rueda	2
28	Varillaje sólido	1	57	Contratuerca hexagonal M5	1
29	Perno hexagonal M8 x 75	1	58	Perno hexagonal M5 x 40	1

## AVVERTENZE GENERALI

**LEGGERE e COMPRENDERE completamente questo manuale prima di utilizzare lo spargitore a spinta.**

L'operatore deve leggere e comprendere tutte le informazioni di sicurezza e avvertenza, le istruzioni di funzionamento, manutenzione e immagazzinamento, prima di mettere in funzione l'attrezzo. La mancata osservanza delle istruzioni di funzionamento e manutenzione dello spargitore a spinta può causare gravi lesioni all'operatore e agli astanti.

### Avvertenze di funzionamento

- Non portare mai passeggeri sullo spargitore.
- Non consentire ai bambini di giocare, stare o salire sullo spargitore.
- Controllare sempre lo spargitore prima dell'utilizzo, per verificare che sia in buone condizioni.
- Sostituire o riparare immediatamente i componenti danneggiati o usurati.
- Controllare sempre e serrare la bulloneria e i componenti assemblati prima di mettere in funzione.
- Non superare la capacità di carico massima di 125 lb dell'attrezzo.
- Evitare buche grandi e canali durante il trasporto dei carichi.
- Fare attenzione durante i lavori in pendenza (collina) poiché lo spargitore potrebbe ribaltarsi.
- Non spingere vicino a canali e strade pubbliche.
- Non utilizzare lo spargitore in giorni ventosi durante lo spargimento di sementi per erba ed erbicidi.
- Prestare sempre attenzione durante il carico e lo scarico dello spargitore.
- Non trainare mai lo spargitore con un veicolo motorizzato.

### Rischio di schiacciamento e tagli

- Tenere sempre le mani e i piedi lontani dalle parti in movimento quando l'attrezzatura è in funzione.
- Sgombrare e mantenere sempre pulita l'area di lavoro durante l'utilizzo.
- Indossare sempre equipaggiamento di sicurezza, occhiali protettivi, guanti e stivali da lavoro durante il funzionamento dello spargitore.

### ATTENZIONE

Le avvertenze, precauzioni e istruzioni riportate in questo manuale di istruzioni non possono coprire tutte le condizioni e le situazioni che potrebbero verificarsi. L'operatore deve comprendere che il buon senso e le precauzioni sono dei fattori che non possono essere costruiti nel prodotto, ma devono essere attuati dall'operatore.

### È necessario il montaggio

Questo prodotto richiede di essere montato prima dell'uso. Vedere la sezione "Montaggio" per le istruzioni. A causa del peso e/o le dimensioni dello spargitore a spinta, si consiglia che un altro adulto sia presente per aiutare con il montaggio. **CONTROLLARE TUTTI I COMPONENTI** subito dopo la consegna, per verificare che non vi siano componenti danneggiati o mancanti.

## DEFINIZIONI DEI SEGNALI DI PERICOLO

	<p>Questo è il simbolo di allerta per la sicurezza. È utilizzato per avvisare di pericoli che comportano potenziali lesioni personali. Rispettare tutti i messaggi di sicurezza che seguono questo simbolo, per evitare possibili lesioni o morte.</p>
 <b>PERICOLO</b>	<p>PERICOLO indica una situazione di pericolo imminente che, se non evitata, comporterà la morte o gravi lesioni.</p>
 <b>ATTENZIONE</b>	<p>AVVERTENZA indica una potenziale situazione di pericolo che, se non evitata, potrebbe comportare la morte o gravi lesioni.</p>
 <b>ATTENZIONE</b>	<p>ATTENZIONE indica una potenziale situazione di pericolo che, se non evitata, potrebbe comportare lesioni lievi o moderate.</p>
<b>ATTENZIONE</b>	<p>ATTENZIONE utilizzata senza il simbolo di allerta per la sicurezza indica una potenziale situazione di pericolo che, se non evitata, potrebbe comportare danni materiali.</p>

### RIGUARDO LO SPARGITORE A SPINTA

Questo spargitore a spinta è progettato per diffondere un'ampia gamma di materiali (fertilizzante, sementi per erba e sciogli-ghiaccio). Materiali quali polveri, concime, terriccio, ghiaia e paccame hanno le caratteristiche fisiche sbagliate e non dovrebbero essere usati con questo spargitore. Non superare mai la capacità di carico nominale di 125lbs durante l'utilizzo dello spargitore.

Lo spargitore deve essere spinto a tre miglia all'ora che è una velocità di andatura rapida. Velocità maggiori o minori cambieranno gli schemi di spargimento. Anche lo spargimento di materiale bagnato cambierà la modalità e il regime di diffusione. Pulire accuratamente lo spargitore dopo ogni uso. Lavare tra la piastra di arresto e il fondo della tramoggia.

Le specifiche tecniche dello spargitore a spinta sono fornite nella sezione "Specifiche" di questo manuale.



## IDENTIFICAZIONE DEI CONTROLLI E DELLE CARATTERISTICHE

Leggere il presente manuale del produttore, prima di mettere in funzione l'attrezzatura. Acquisire familiarità con l'ubicazione e la funzione di tutti i controlli e le caratteristiche. Conservare questo manuale per riferimenti futuri.



1. **Manico** - spinge e sposta lo spargitore con facilità.
2. **Controllo del flusso** - controlla il flusso di materiale da spargere.
3. **Tramoggia** - non superare la capacità di carico nominale di 125 lb.
4. **Pneumatici / Ruota** - non superare il valore consigliato di 30 PSI.
5. **Girante** - distribuisce in modo uniforme il materiale.
6. **Piede di appoggio** - stabilizza il carico e lo spargitore.

### ATTENZIONE

Leggere e seguire tutte le istruzioni per il montaggio e il funzionamento. Il mancato montaggio adeguato di questa attrezzatura potrebbe comportare lesioni gravi all'operatore o agli astanti oppure causare danni all'attrezzatura.

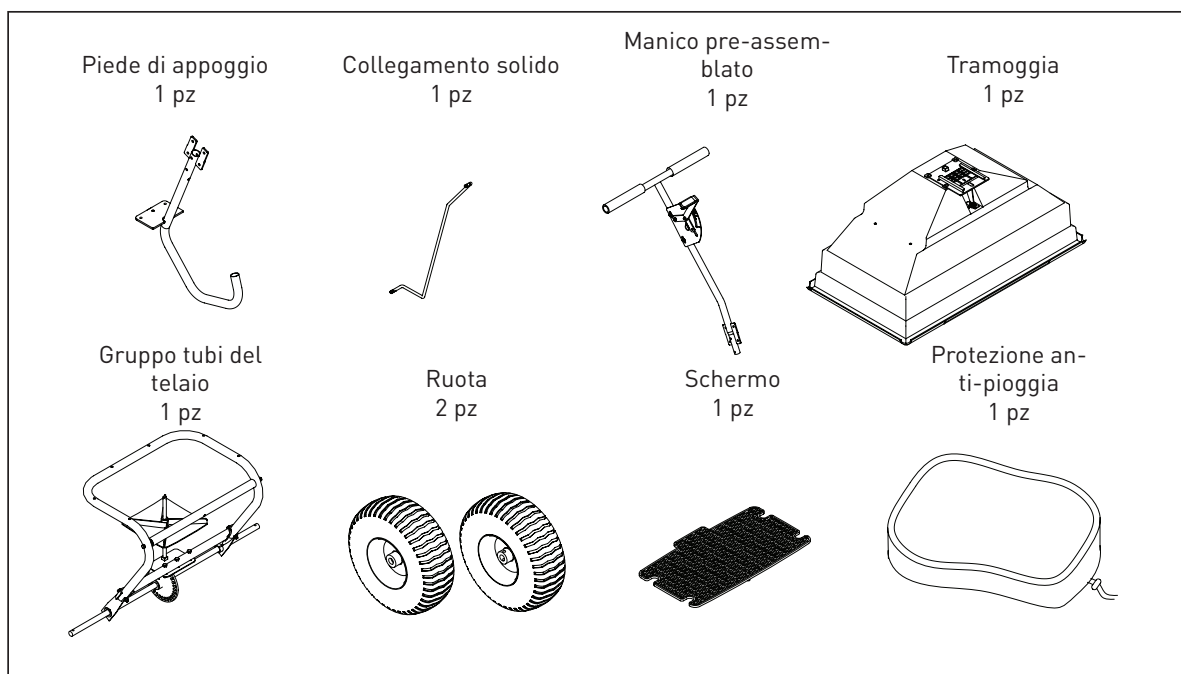
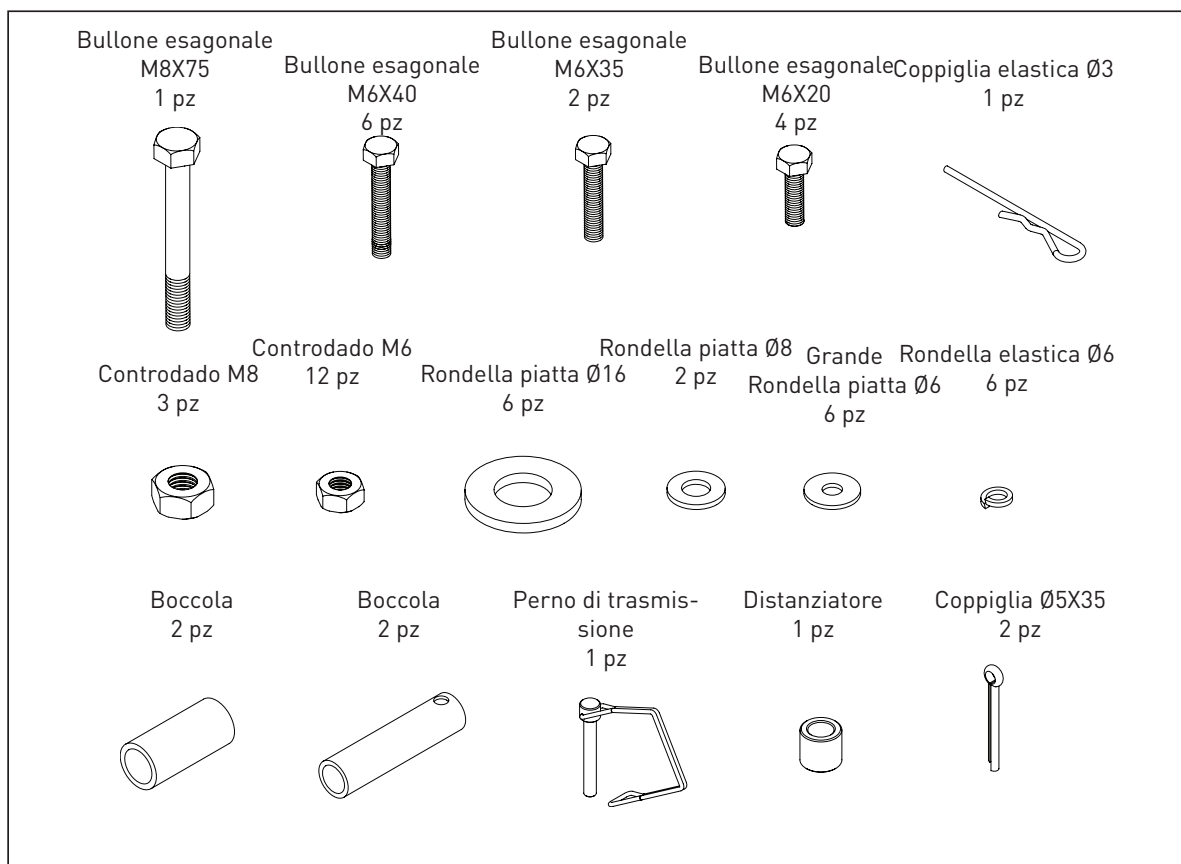
## MONTAGGIO E COMPONENTI DELLO SPARGITORE A SPINTA

Togliere tutte le parti dall'imballaggio di spedizione e controllare i componenti, per verificare che non vi siano pezzi mancanti, prima di iniziare a montare lo spargitore a spinta seguendo le fasi da 1 a 5.

### ATTREZZI NECESSARI

- Pinze (2 ciascuno)
- Chiavi da 8 mm (2 ciascuno)
- Chiavi da 10mm (2 ciascuno)
- Chiave da 13 mm
- Chiave da 14mm

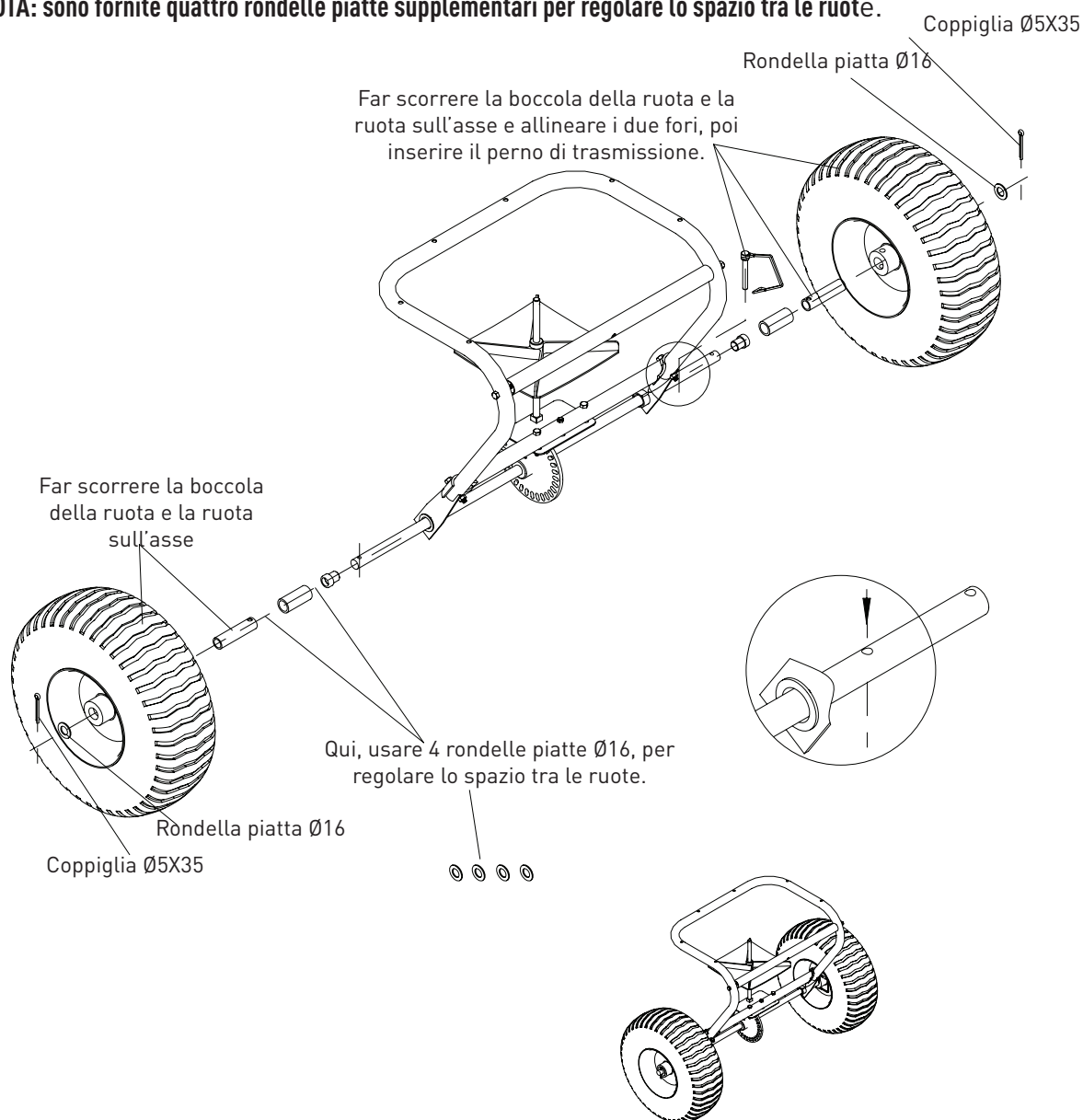
# COMPONENTI



## FASE 1: INSTALLAZIONE DELLE RUOTE

1. Sul lato sinistro dell'asse installare la boccia e il distanziale della ruota sull'asse.
2. Far scorrere una ruota sopra l'asse.
3. Mettere una rondella piatta  $\varnothing 16$  sull'asse, inserire la coppiglia attraverso il foro e fissarla piegandola.
4. Sul lato destro dell'asse far scorrere una boccia e il distanziale della ruota sull'asse.
5. Mettere una ruota sopra l'asse, allineare i fori e inserire il perno di trasmissione attraverso il manicotto e fissarlo.
6. Mettere una rondella piatta  $\varnothing 16$  sull'asse, inserire la coppiglia attraverso il foro e fissarla

**NOTA:** sono fornite quattro rondelle piatte supplementari per regolare lo spazio tra le ruote.

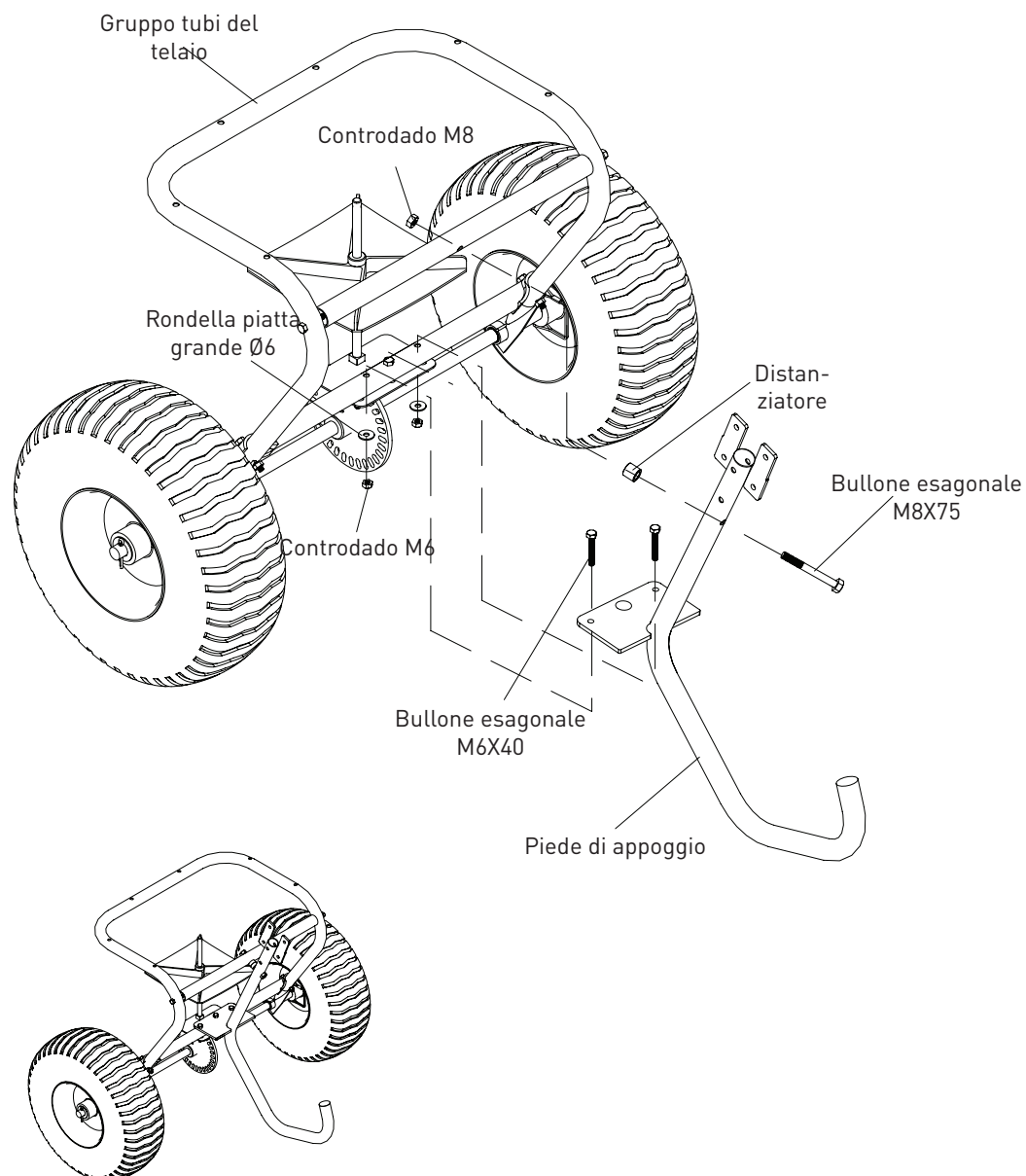


## FASE 2: MONTAGGIO DEL PIEDE D'APPOGGIO

1. Posizionare il piede di appoggio in modo che l'estremità a forma di J sia opposta al gruppo ruote.
2. Inserire il bullone esagonale M8x75 attraverso il foro superiore del piede d'appoggio e far scivolare il distanziale sull'estremità del bullone.
3. Prendere il piede d'appoggio e inserire il bullone attraverso la barra trasversale superiore sul gruppo di montaggio e serrare non completamente con il controdado M8.

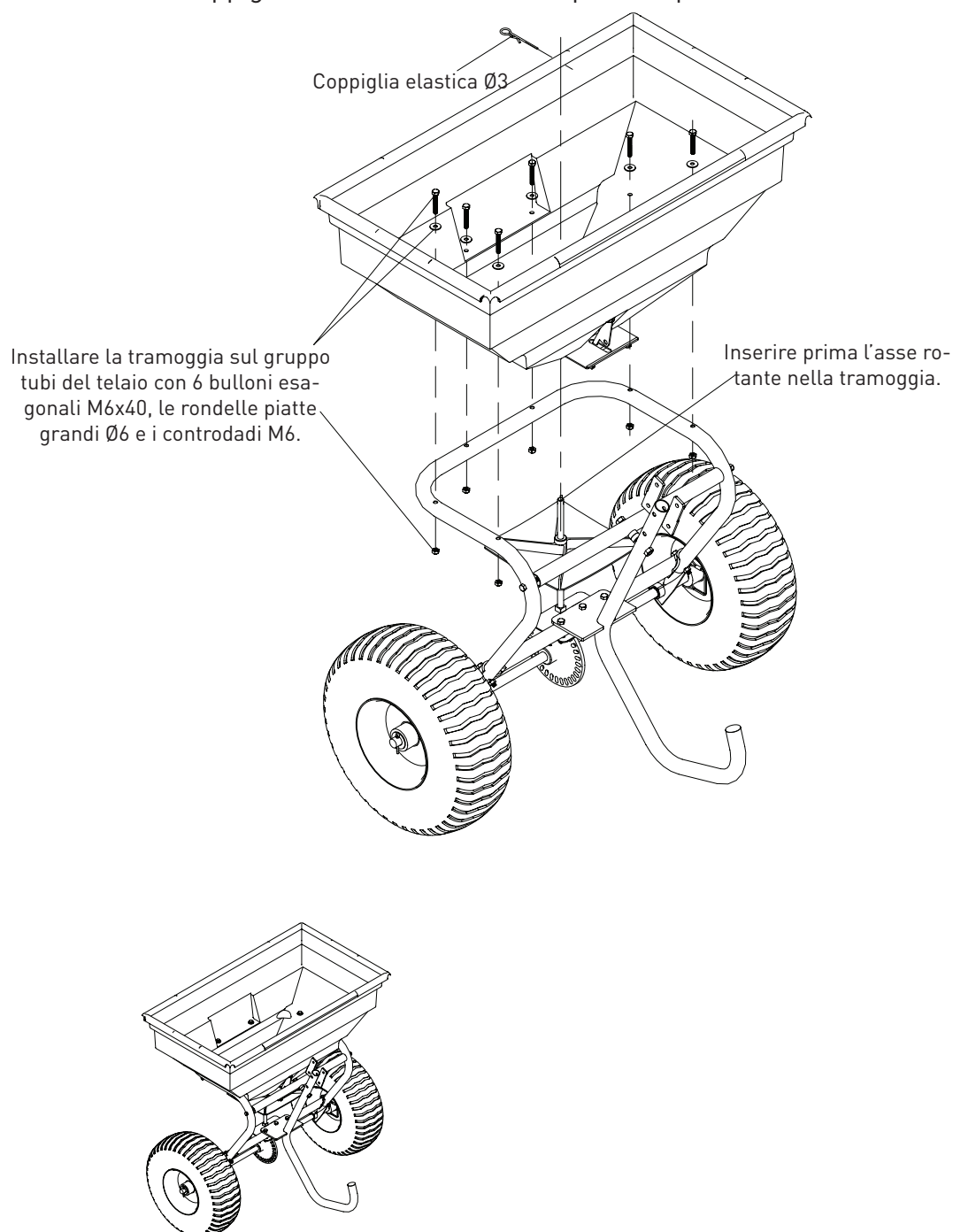
**NOTA:** prima di serrare il bullone, verificare che la flangia del piede d'appoggio e i fori della barra trasversale inferiore siano allineati.

4. Inserire il bullone esagonale M6 x 40 attraverso i fori nella flangia e nella barra trasversale. Utilizzare la rondella piatta grande Ø6 e il controdado M6 e serrare tutta la bulloneria.



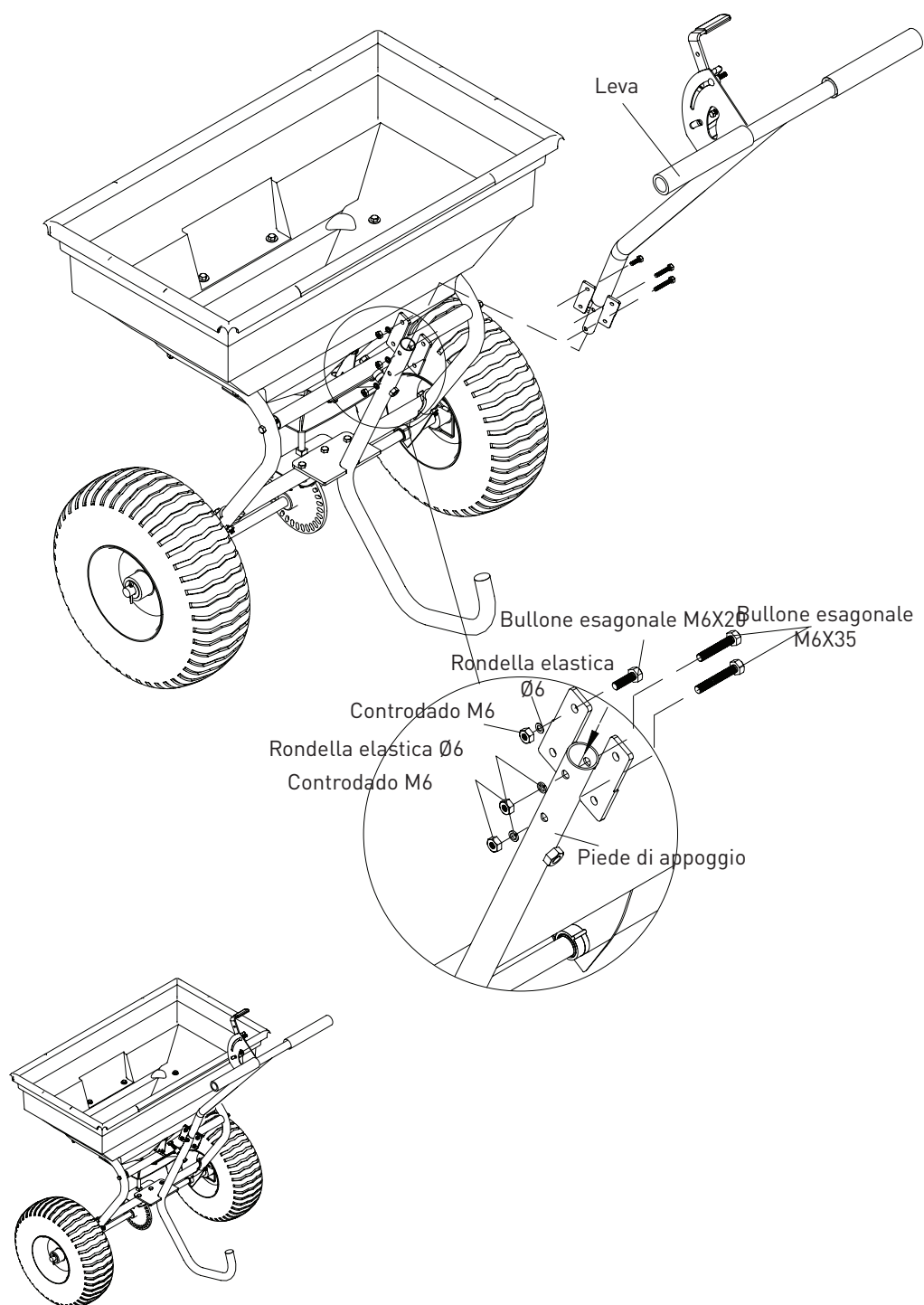
## FASE 3: INSTALLAZIONE DELLA TRAMOGGIA

1. Abbassare la tramoggia verso il gruppo di montaggio, allineare accuratamente i fori sul fondo della tramoggia con il mandrino sulla piastra di montaggio dell'asse.
2. Utilizzare il bullone esagonale M6 x 40 e la rondella piatta  $\varnothing 6$ , per collegare la tramoggia al gruppo di montaggio e fissare con il controdato M6.
3. Assicurarsi che l'ingranaggio e il pignone funzionino regolarmente. In caso contrario, regolare nuovamente fino a quando l'ingranaggio e il pignone ruotano regolarmente.
4. Serrare tutta la bulloneria sulla piastra di supporto dell'albero e sulla tramoggia.
5. Inserire la coppiglia elastica attraverso la parte superiore del mandrino.



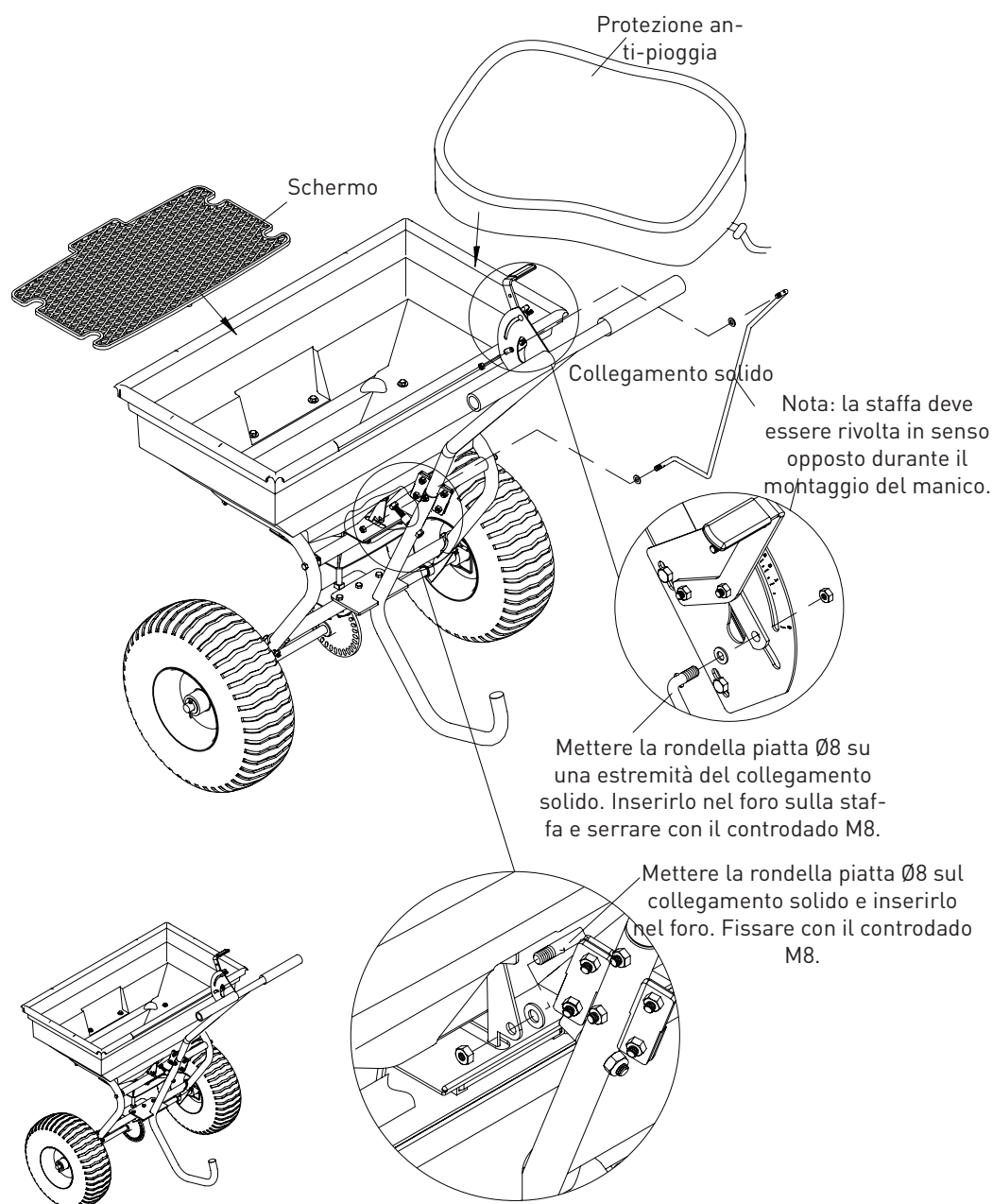
## FASE 4: COLLEGAMENTO DEL MANICO AL PIEDE D'APPOGGIO

1. Far scorrere il tubo del manico sulla parte superiore del piede d'appoggio e allineare i due fori.
2. Inserire i bulloni esagonali M6x35 attraverso i due fori sul piede d'appoggio e serrare con la rondella elastica  $\varnothing 6$  e il controdado M6.
3. Inserire il bullone esagonale M6x35 attraverso il foro sulla piastra laterale e serrare con la rondella elastica  $\varnothing 6$  e il controdado M6.



## FASE 5: CONNESSIONE DEL COLLEGAMENTO SOLIDO

1. Connettere il collegamento solido attraverso la piastra fissa inferiore utilizzando la rondella piatta Ø8 e serrare con un controdado M8.
2. Connettere l'altra estremità del collegamento solido al controllo del flusso con una rondella piatta Ø8 e un controdado M8.
3. Installare lo schermo della tramoggia nella parte inferiore della tramoggia.
4. Prima di utilizzare lo spargitore, verificare che tutta la bulloneria sia serrata.
5. Utilizzare la protezione anti-pioggia quando necessario, per proteggere il materiale nella tramoggia o quando lo spargitore viene immagazzinato.



# ISTRUZIONI DI FUNZIONAMENTO

## ATTENZIONE

Prima di utilizzare lo spargitore a spinta, ricontrollare le istruzioni sottostanti e le informazioni di sicurezza. Il mancato rispetto di queste istruzioni può provocare danni materiali o lesioni all'operatore o agli astanti.

## UTILIZZO DELLO SPARGITORE

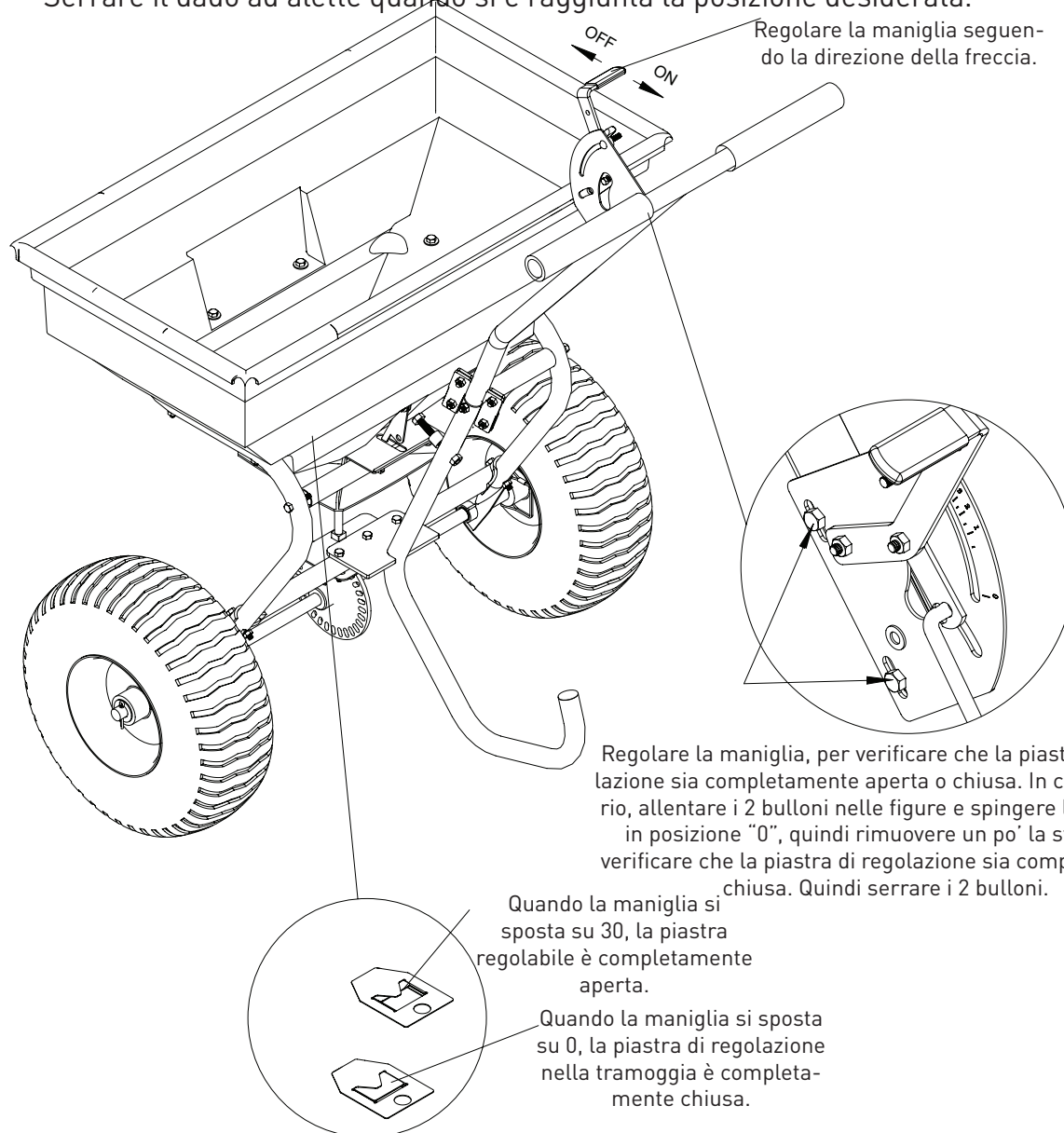
1. Controllare lo spargitore prima di ogni utilizzo. Verificare che le ruote girino con facilità e la scatola del cambio si muova quando lo spargitore viene spinto. La tramoggia dovrebbe essere pulita e priva di crepe.
2. Lo spargitore è progettato per diffondere un'ampia gamma di materiali (fertilizzante, sementi per erba e sciogli-ghiaccio). Materiali quali polveri, concime, terriccio, ghiaia e paccime hanno le caratteristiche fisiche sbagliate e non dovrebbero essere usati con questo spargitore.
3. Non utilizzare lo spargitore in giorni ventosi durante lo spargimento di sementi per erba o erbicidi.
4. Determinare la dimensione approssimativa dell'area da coprire e stimare la quantità di materiale richiesto. Fare riferimento alle raccomandazioni del produttore di fertilizzante. Frantumare eventuali fertilizzanti grumosi durante il riempimento della tramoggia.
5. Prima di riempire la tramoggia, verificare che la leva di controllo del flusso sia in posizione "0" e la piastra di controllo del flusso sia chiusa.
6. Impostare il fermo regolabile con la leva di controllo del flusso sempre in posizione "0". Ogni volta che si è pronti per fermarsi o tornare indietro, chiudere la piastra di controllo del flusso, per fermare la dispersione del materiale e fare un altro passo. Questo riduce lo spreco ed evita di danneggiare il prato con una copertura eccessiva di prodotto.
7. Seguire il valore del regime di copertura raccomandato dal produttore del fertilizzante per ogni prodotto.
8. Per mantenere la stessa copertura quando si procede a una velocità diversa, regolare il regime del flusso. Ridurre l'impostazione del flusso per basse velocità e aumentare l'impostazione del flusso per velocità più elevate.
9. Mantenere la piastra della girante orizzontale durante l'utilizzo dello spargitore. Inclinare lo spargitore comporterà una copertura irregolare.
10. Verificare che la coppiglia elastica sia installata nella tramoggia, prima di azionare lo spargitore.
11. Iniziare sempre a camminare, prima di aprire la piastra di chiusura.
12. Chiudere sempre la piastra di controllo del flusso, prima di girare o fermare lo spargitore.
13. Se il materiale da spargere viene accidentalmente deposto in eccesso in una piccola area, bagnare abbondantemente la zona con un tubo per innaffiare o un irrigatore, per evitare di bruciare il prato.
14. Per garantire una copertura uniforme, verificare che tutti gli schemi di diffusione si sovrappongano leggermente agli schemi di diffusione precedenti.
15. Durante lo spargimento di materiale, verificare che lo schema di diffusione non colpisca alberi sempreverdi, fiori o arbusti.
16. Non applicare eccessivo materiale da spargere. Seguire il valore del regime di copertura raccomandato per ogni prodotto. Un'applicazione eccessiva porterà danni e contaminazione al prato.



# ISTRUZIONI DI FUNZIONAMENTO

## REGOLAZIONE DEL FLUSSO

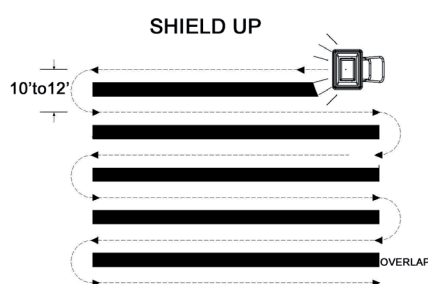
1. Spostare la maniglia verso l'alto, per regolare l'impostazione dello spargitore seguendo la direzione della freccia. Quando la maniglia si sposta su "30", la piastra di regolazione è completamente aperta, quando è su "0" è completamente chiusa.
2. Allentare il dado ad alette sulla staffa e spostare la leva di regolazione in alto o in basso a seconda della quantità di materiale richiesto. Spingere la maniglia verso il basso rilascia più materiale e tirare la maniglia verso l'alto fermerà il flusso completamente.
3. Serrare il dado ad alette quando si è raggiunta la posizione desiderata.



# ISTRUZIONI DI FUNZIONAMENTO

## COPERTURA UNIFORME

Per garantire una copertura uniforme, verificare che tutti gli schemi di diffusione si sovrappongano leggermente agli schemi di diffusione precedenti, come mostrato nella figura sottostante. Le larghezze di diffusione approssimative per i diversi materiali sono mostrate nella tabella di applicazione.



### ATTENZIONE

Non applicare eccessivo materiale da spargere. Seguire il valore del regime di copertura raccomandato per ogni prodotto. Un'applicazione eccessiva porterà danni e contaminazione. In caso il materiale da spargere cada o venga accidentalmente deposto in eccesso, bagnare abbondantemente la zona con un tubo per innaffiare o un irrigatore, per evitare la bruciatura.

# ISTRUZIONI DI SPARGIMENTO

## CALCOLO DELLA QUANTITÀ DI MATERIALE NECESSARIO

Per calcolare la quantità di fertilizzante necessario per coprire il prato, dividere la quantità di copertura elencata sull'etichetta con il peso del sacco di fertilizzante. Ad esempio un sacco di fertilizzante da 10LB con una copertura di 10.000 piedi quadrati distribuirà 1LB di fertilizzante ogni 1.000 piedi quadrati a un valore completo oppure 1/2LB di fertilizzante ogni 1.000 piedi quadrati a metà del valore di regime. Per valori pre-calcolati vedere la Tabella A (Esempio: sacco da 25LB con una copertura di 15.000 sq. ft. = 1,7 LB/1000 sq. ft.). Usare la Tabella B per scoprire le impostazioni dello spargitore più vicine (Esempio: 1,7LB/1.000 sq. ft. = Impostazione dello spargitore di 8).

**Tabella A - Piedi quadrati di copertura per sacco\***

Peso del sacco (LBS.)	LB/1.000 SQ FT		
	5.000 SQ FT COPERTURA	10.000 SQ FT COPERTURA	15.000 SQ FT COPERTURA
5	1,0 LB	0,5 LB	0,3 LB
10	2,0 LB	1,0 LB	0,7 LB
15	3,0 LB	1,5 LB	1,0 LB
20	4,0 LB	2,0 LB	1,3 LB
25	5,0 LB	2,5 LB	1,7 LB
30	6,0 LB	3,0 LB	2,0 LB
35	7,0 LB	3,5 LB	2,3 LB
40	8,0 LB	4,0 LB	2,7 LB
45	9,0 LB	4,5 LB	3,0 LB
50	10,0 LB	5,0 LB	3,3 LB
55	11,0 LB	5,5 LB	3,7 LB

\*Queste sono solo delle stime, le quantità effettive potrebbero variare.

**Tabella B - Impostazioni spargitore/larghezza spargimento**

MULTI-USO	LBS/1.000 SQ FT	SPARGITORE IMPOSTAZIONI	● SPARGIMENTO DI PARTICELLE PICCOLE	● SPARGIMENTO DI PARTICELLE MEDIE	● SPARGIMENTO DI PARTICELLE GRANDI
FERTILIZZANTE	1	5	5-6 FT	6-9 FT	9-12 FT
	2	8	5-6 FT	6-9 FT	9-12 FT
	3	10	5-6 FT	6-9 FT	9-12 FT
	4	13	5-6 FT	6-9 FT	9-12 FT
	5	15	5-6 FT	6-9 FT	9-12 FT
SEMENTI PER ERBA	6	18	5-6 FT	6-9 FT	9-12 FT
	7	20	5-6 FT	6-9 FT	9-12 FT
SCIOGLI-GHIACCIO	8	23	5-6 FT	6-9 FT	9-12 FT
	9	25	5-6 FT	6-9 FT	9-12 FT
	10	28	5-6 FT	6-9 FT	9-12 FT
	11	30	5-6 FT	6-9 FT	9-12 FT

**NOTA: NON USARE SALE.** Usare il sale in questo spargitore danneggerà il meccanismo e ridurrà la durata della macchina.

## MANUTENZIONE E IMMAGAZZINAMENTO

### ATTENZIONE

Manutenzione e immagazzinamento inadatti dello spargitore a spinta potrebbero annullare i termini della garanzia.

### MANUTENZIONE

- Dopo ogni uso pulire il materiale dalla tramoggia.
- Sciacquare e asciugare l'interno e l'esterno dello spargitore dopo ogni uso.
- Prima di mettere in funzione, verificare che gli pneumatici abbiano la **PRESIONE CONSIGLIATA DI 30 PSI**.
- Controllare periodicamente che tutti i dispositivi di fissaggio siano ben serrati.
- Pulire e lubrificare leggermente i componenti annualmente.
- Utilizzare una vernice a smalto spray lucida per ritoccare le superfici metalliche graffiate o usurate.
- Non superare mai la capacità di carico di 125lbs, poiché danneggerà lo spargitore.

### IMPORTANTE:

Se è necessario sostituire un componente, utilizzare solo parti conformi alle specifiche del costruttore. Le parti di ricambio non conformi alle specifiche possono comportare un pericolo per la sicurezza o un cattivo funzionamento.

### IMMAGAZZINAMENTO

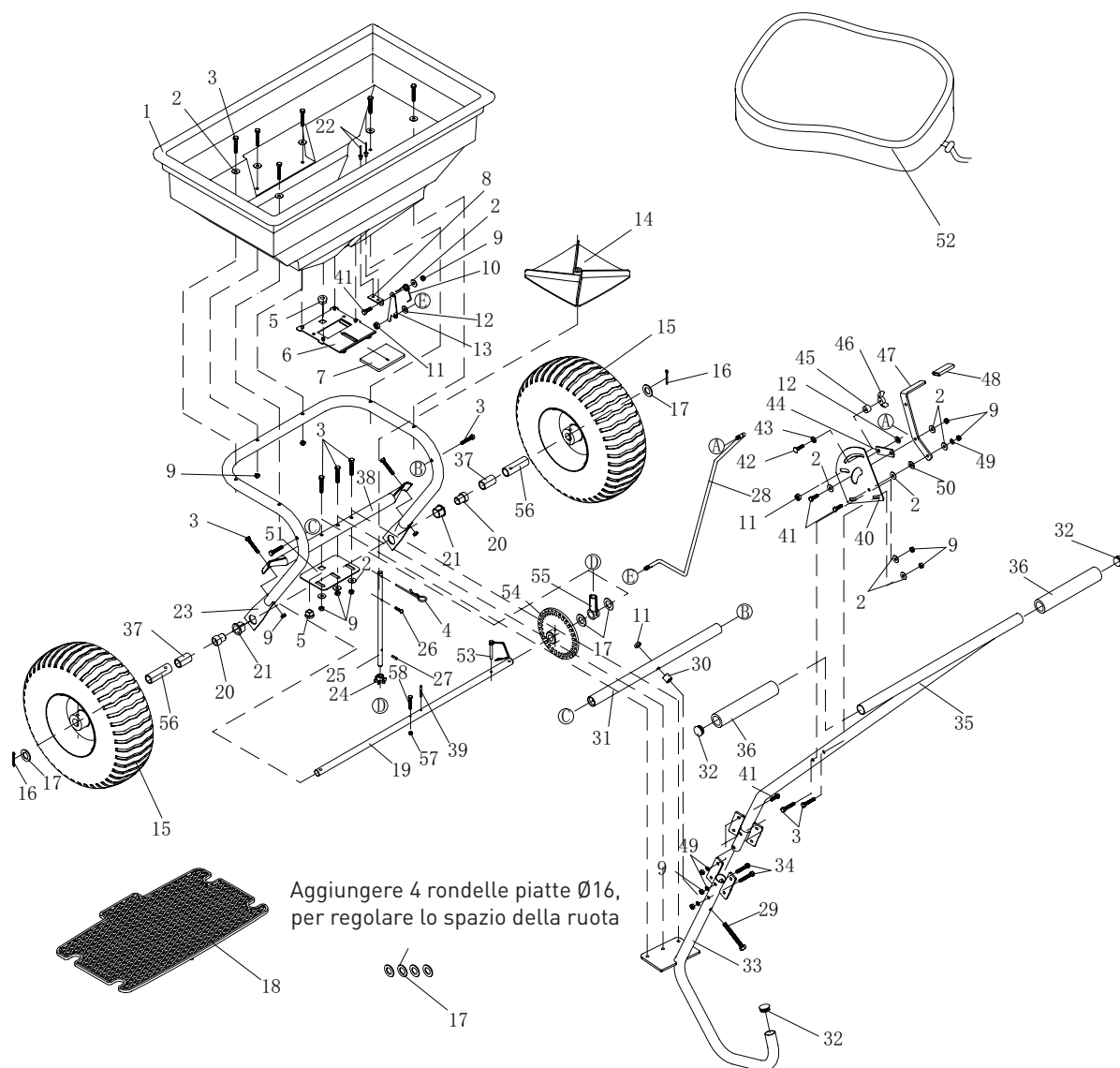
- Non lasciare il materiale nella tramoggia per lunghi periodi di tempo.
- Prima dell'immagazzinamento, verificare che lo spargitore sia pulito e asciutto, per anni di utilizzo senza problemi.
- Conservare al chiuso o in aree protette durante periodi di maltempo e nei mesi invernali.

## SPECIFICHE

<b>Capacità di carico:</b> 125lb
<b>Tipo di spargitore:</b> diffusione
<b>Materiale della tramoggia:</b> polipropilene
<b>Dimensioni della tramoggia:</b> 29 1/2" x 16 1/2" x 13 1/2"
<b>Dimensioni totali:</b> 44" x 31 1/2" x 35 1/2"
<b>Misura ruota:</b> 15"
<b>Pressione degli pneumatici (PSI):</b> 30
<b>Peso unitario:</b> 38lb

# DISEGNO DEI COMPONENTI ED ELENCO DEI COMPONENTI

IT



**IT**

RIF n.	Descrizione	Q.tà	RIF n.	Descrizione	Q.tà
1	Tramoggia	1	30	Distanziatore	1
2	Rondella piatta grande Ø6	16	31	Tubo trasversale fisso	1
3	Bullone esagonale M6x40	15	32	Tappo di plastica	3
4	Coppiglia elastica Ø3	1	33	Tubo di supporto	1
5	Cuscinetto	2	34	Bullone esagonale M6x35	2
6	Piastra regolabile fissa	1	35	Leva	1
7	Piastra regolabile attiva	1	36	Impugnatura	2
8	Base per molla	1	37	Boccola dell'assale	2
9	Controdado esagonale M6	22	38	Tubo trasversale	1
10	Molla	1	39	Spina elastica Ø4x30	1
11	Controdado esagonale M8	3	40	Staffa	1
12	Rondella piatta Ø8	2	41	Bullone esagonale M6x20	7
13	Piastra fissa per biella	1	42	Bullone a testa tonda M6x25	1
14	Girante	1	43	Rondella di sicurezza dentata Ø8	1
15	Ruota	2	44	Piastra di collegamento	1
16	Coppiglia Ø5x35	2	45	Distanziatore	1
17	Rondella piatta Ø16	8	46	Dado ad alette M6	1
18	Schermo	1	47	Maniglia di regolazione	1
19	Assale	1	48	Impugnatura	1
20	Boccola dell'assale interno	2	49	Rondella elastica Ø6	7
21	Boccola dell'assale esterno	2	50	Rondella in nylon	1
22	Rivetto Ø5x8	2	51	Piastra di supporto dell'albero	1
23	Gruppo tubi del telaio	1	52	Protezione anti-pioggia	1
24	Pignone	1	53	Perno di trasmissione	1
25	Assale rotante	1	54	Ingranaggio (motrice)	1
26	Vite M4x20	1	55	Tappo del supporto dell'albero	1
27	Spina elastica Ø3x16	1	56	Boccola della ruota	2
28	Collegamento solido	1	57	Controdado esagonale M5	1
29	Bullone esagonale M8x75	1	58	Bullone esagonale M5x40	1

## OSTRZEŻENIA OGÓLNE

### Przed użyciem rozsiewacza należy **PRZECZYTAĆ** niniejszą instrukcję ze **ZROZUMIENIEM**.

Od operatora wymaga się przeczytania ze zrozumieniem informacji ostrzegawczych oraz poleceń dotyczących obsługi, konserwacji i przechowania przed przystąpieniem do pracy. Niezastosowanie się do opisanych tutaj zasad może skutkować poważnymi obrażeniami operatora lub osób postronnych.

#### Ostrzeżenia dotyczące obsługi:

- Nie przewozić osób na rozsiewaczu w pozycji siedzącej lub stojącej.
- Trzymać urządzenie z dala od dzieci.
- Każdorazowo sprawdzić urządzenie przed przystąpieniem do pracy celem weryfikacji jego stanu technicznego.
- Niezwłocznie wymienić lub naprawić uszkodzone i zużyte części.
- Przed przystąpieniem do pracy sprawdzić mocowanie wyposażenia i części montowanych.
- Nie przekraczać maksymalnego obciążenia wynoszącego 125 lbs (56, 63 kg).
- Podczas przewozu ładunków omijać duże dziury i rowy.
- Zachować ostrożność podczas pracy rozsiewaczem na stromych zboczach, ponieważ istnieje ryzyko przewrócenia urządzenia.
- Nie stosować urządzenia w bezpośrednim sąsiedztwie akwenów, rowów i dróg publicznych.
- Nie rozsiewać nasion traw ani środków chwastobójczych w wietrzne dni.
- Zachować ostrożność przy załadunku i rozładunku rozsiewacza.
- Nie holować rozsiewacza przy pomocy pojazdu silnikowego.

#### Niebezpieczeństwo okaleczenia lub zakleszczenia:

- Podczas pracy urządzenia trzymać kończyny górne i dolne w bezpiecznej odległości od obracających się części.
- Zadbaj o czystość w miejscu pracy.
- Podczas pracy stosować środki ochrony osobistej, tj. okulary, buty, rękawice ochronne.

#### OSTRZEŻENIE

Ostrzeżenia, środki bezpieczeństwa i polecenia zawarte w niniejszej instrukcji nie wyczerpują wszystkich możliwych przypadków. Od użytkownika wymaga się trzeźwej oceny sytuacji i zachowania ostrożności.





#### OSTRZEŻENIE PROPOSITION 65

Według obowiązującej w Kalifornii Ustawy z 1986 r. o bezpieczeństwie wody pitnej i zapobieganiu zanieczyszczeniom produkt ten zawiera substancje chemiczne powodujące raka, wady wrodzone oraz upośledzające płodność.

#### Wymagany montaż

Niniejszy produkt wymaga montażu przed użyciem. Więcej informacji w sekcji „Montaż.” Ze względu na masę i/lub rozmiar rozsiewacza zaleca się wykonanie czynności montażowych z pomocą drugiej osoby dorosłej. **SPRAWDZIĆ WSZYSTKIE KOMPONENTY** po odbiorze przesyłki, aby wyeliminować możliwość braków i uszkodzeń.

## OBJAŚNIENIA SYMBOLI ZAGROŻENIA

	Symbol ostrzegawczy wskazujący na potencjalne zagrożenie obrażeniami ciała. Należy przestrzegać wszelkich informacji opatrzonej tym symbolem.
 <b>NIEBEZPIECZEŃSTWO</b>	NIEBEZPIECZEŃSTWO oznacza bezpośrednie zagrożenie prowadzące do śmierci lub ciężkich obrażeń.
 <b>OSTRZEŻENIE</b>	OSTRZEŻENIE oznacza potencjalne zagrożenie, które może prowadzić do śmierci lub ciężkich obrażeń
 <b>UWAGA</b>	UWAGA oznacza potencjalne zagrożenie, które może prowadzić do lekkich lub średnich obrażeń.
<b>UWAGA</b>	UWAGA bez symbolu ostrzegawczego oznacza potencjalne zagrożenie, które może doprowadzić do uszkodzeń mienia.

### O ROZSIEWACZU

Urządzenie zostało zaprojektowane do rozsiewu szerokiej gamy materiałów (nawozu, nasion trawy, preparatu do odładzania). Do stosowania z rozsiewaczem nie nadają się ze względu na swoje właściwości fizyczne: materiały sproszkowane, obornik, gleba, żwir i ściółka. Podczas pracy z urządzeniem nigdy nie należy przekraczać dopuszczalnego obciążenia wynoszącego 125 lbs (56,63 kg).

Rozsiewacz należy pchać z prędkością 5 km/h. Większa lub mniejsza prędkość skutkuje zmianą parametrów rozsiewu. Mokry materiał zmienia prędkość dozowania. Po użyciu należy dokładnie wyczyścić urządzenie, w szczególności przestrzenie pomiędzy płytą odcinającą a dnem zbiornika.

Charakterystyka techniczna rozsiewacza znajduje się w sekcji „Charakterystyka techniczna” w niniejszej instrukcji.



## OBJAŚNIENIE REGULATORÓW I MECHANIZMÓW

Przeczytać instrukcję obsługi przed przystąpieniem do pracy. Zapoznać się z umiejscowieniem regulatorów i mechanizmów. Zachować instrukcję do późniejszego wglądu.



1. Uchwyt – umożliwia łatwą jazdę i skręcanie.
2. Regulator dozowania – kontroluje dozowanie rozsiewanego materiału.
3. Zbiornik – nie przekraczać dopuszczalnego obciążenia wynoszącego 125 lbs (56, 63 kg).
4. Opony / koła – nie przekraczać dopuszczalnego ciśnienia wynoszącego 30 PSI (2,04 atm).
5. Wirnik – równomiernie rozprowadza materiał.
6. Podpórka – stabilizuje ładunek i rozsiewacz.

### Uwaga

Przeczytać wszystkie instrukcje montażu i obsługi oraz postępować zgodnie z nimi. Nieodpowiednie zmontowanie sprzętu może skutkować ciężkimi obrażeniami operatora lub osób postronnych, a także uszkodzeniem sprzętu.

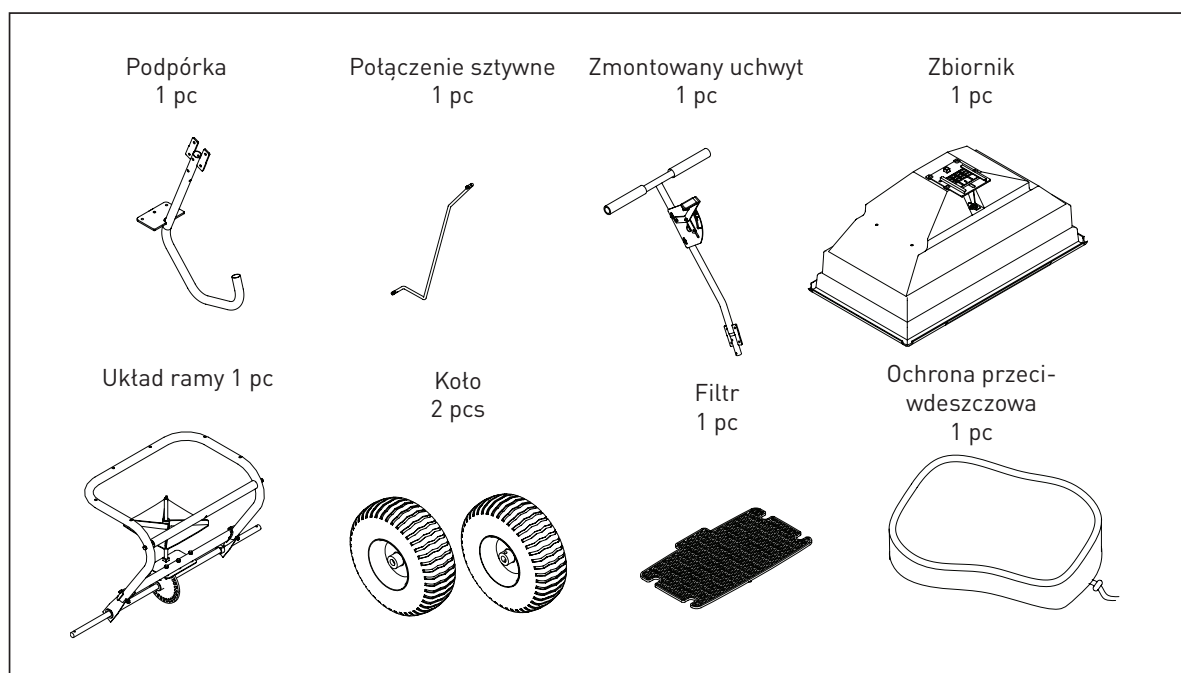
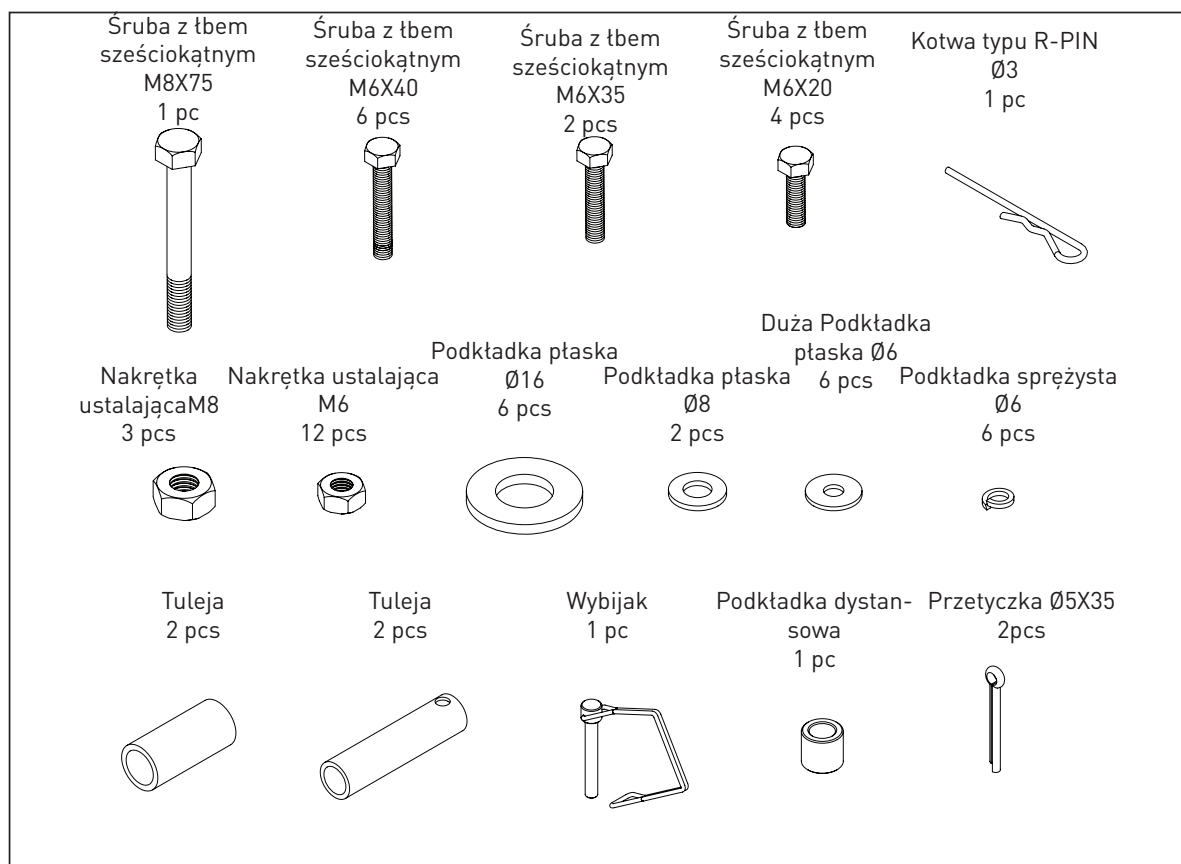
## KOMPONENTY I MONTAŻ ROZSIEWACZA

Wyjąć wszystkie części ze skrzyni. Przed przystąpieniem do montażu sprawdzić, czy wszystkie elementy są w komplecie. Postępować zgodnie z czynnościami opisanymi w krokach 1-5.

### ATTREZZI NECESSARI

- Kombinerki (2 szt.)
- Klucze 8 mm (2 szt.)
- Klucz 10 mm (2 szt.)
- Klucz 13 mm
- Klucz 14 mm

# COMPONENTI

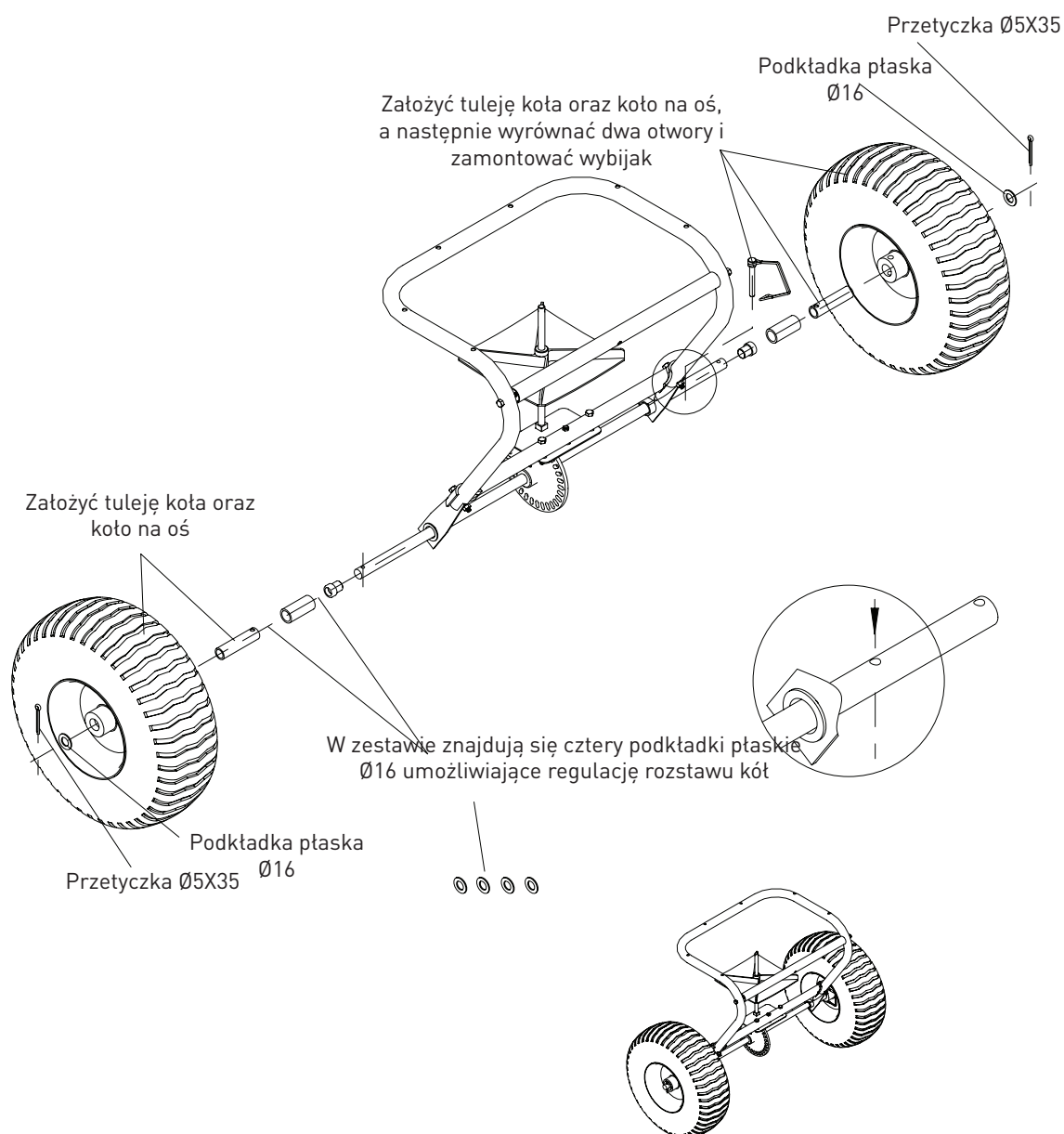


PL

## KROK 1: MONTAŻ KÓŁ

1. Nałożyć tuleję koła oraz podkładkę dystansową na oś z lewej strony.
2. Założyć koło na oś.
3. Nasunąć na oś podkładkę płaską  $\varnothing 16$ , wetknąć przetyczkę w otwór i zagiąć celem zabezpieczenia.
4. Nałożyć tuleję koła oraz podkładkę dystansową na oś z prawej strony.
5. Założyć koło na oś, jednocześnie ustawiając otwory w jednej linii, a następnie wetknąć wybijak w tuleję i zamknąć.
6. Założyć na oś podkładkę płaską  $\varnothing 16$ , wetknąć przetyczkę w otwór, a następnie zagiąć celem zabezpieczenia.

**NOTA:** W zestawie znajdują się cztery dodatkowe podkładki płaskie umożliwiające regulację rozstawu kół.

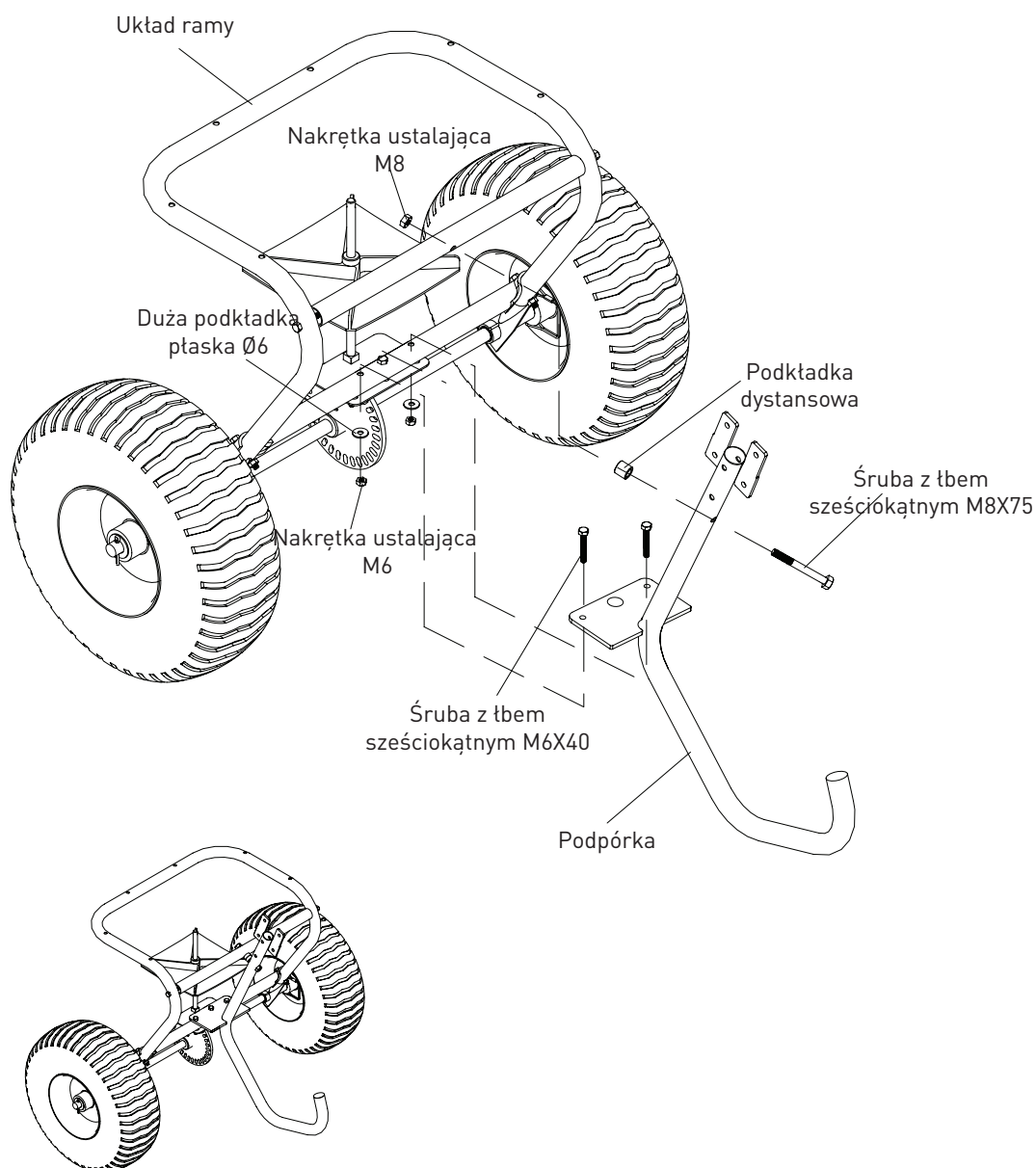


## KROK 2: MONTAŻ PODPÓRKI

1. Ustawić podpórkę końcówką w kształcie litery „J” w stronę przeciwną do kół.
2. Wetknąć śrubę z łbem sześciokątnym M8x75 w górny otwór na podpórkę, a następnie założyć na śrubę podkładkę dystansową.
3. Wziąć podpórkę i zamontowaną w niej śrubę wetknąć w otwór w górnej rurce poprzecznej układu montażowego, a następnie lekko dokręcić przy użyciu nakrętki ustalającej M8.

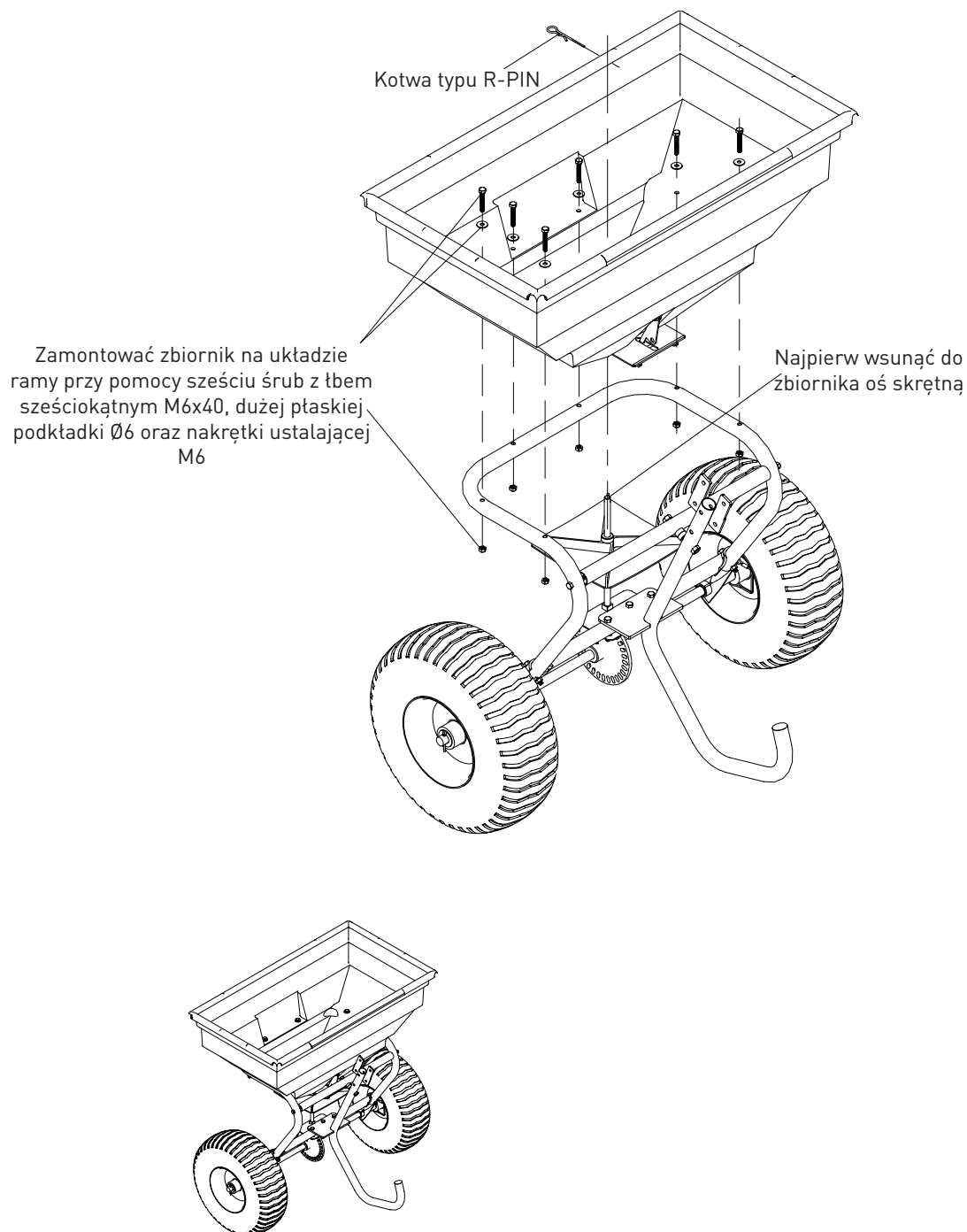
**NOTA:** Przed dokręceniem śruby upewnić się, że otwory w kołnierzu montażowym podpórki są ustawione w jednej linii z otworami w dolnej rurce poprzecznej.

4. Wetknąć śrubę z łbem sześciokątnym M6x40 w otwory w kołnierzu montażowym i rurce poprzecznej. Zastosować dużą podkładkę płaską  $\varnothing 6$ , a następnie nakrętkę ustalającą w celu dokręcenia wszystkich elementów wyposażenia



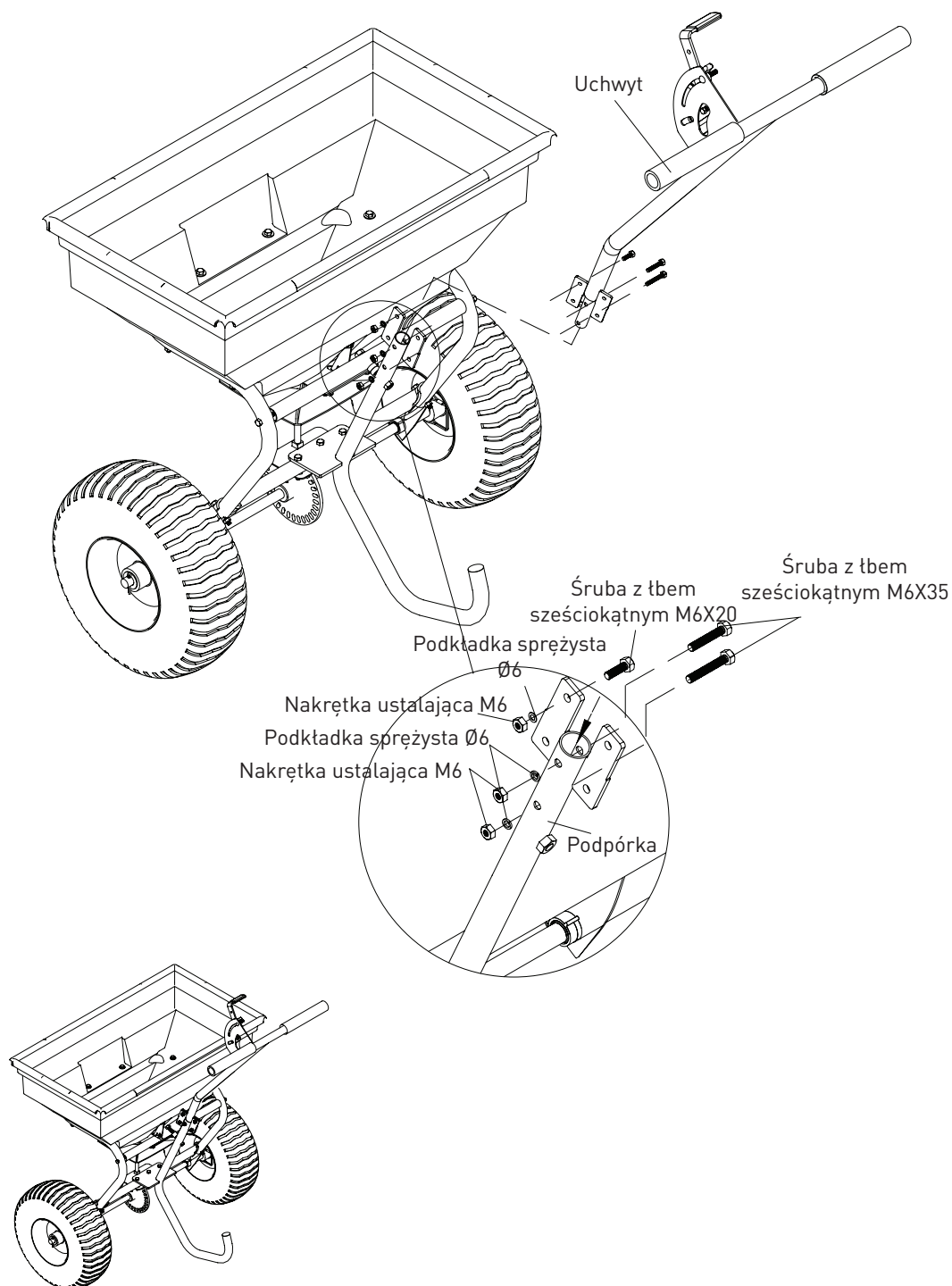
## KROK 3: MONTAŻ ZBIORNIKA

1. Opuścić zbiornik na układ montażowy, a następnie wyrównać otwory w jego dnie z otworami w ramie montażowej oraz wrzecionem na płycie montażowej osi.
2. Zamocować zbiornik na układzie montażowym przy użyciu śruby z łbem sześciokątnym M6x40 oraz podkładki płaskiej  $\varnothing 6$ , a następnie dokręcić nakrętką ustalającą M6.
3. Upewnić się, że koło zębate i zębnik działają gładko. W przeciwnym razie wyregulować ponownie do uzyskania gładkiego ruchu koła zębatego i zębniaka.
4. Dokręcić wszystkie elementy wyposażenia płyty podpierającej wał i zbiornika.
5. U góry wrzeciona zamocować kotwę typu R-PIN.



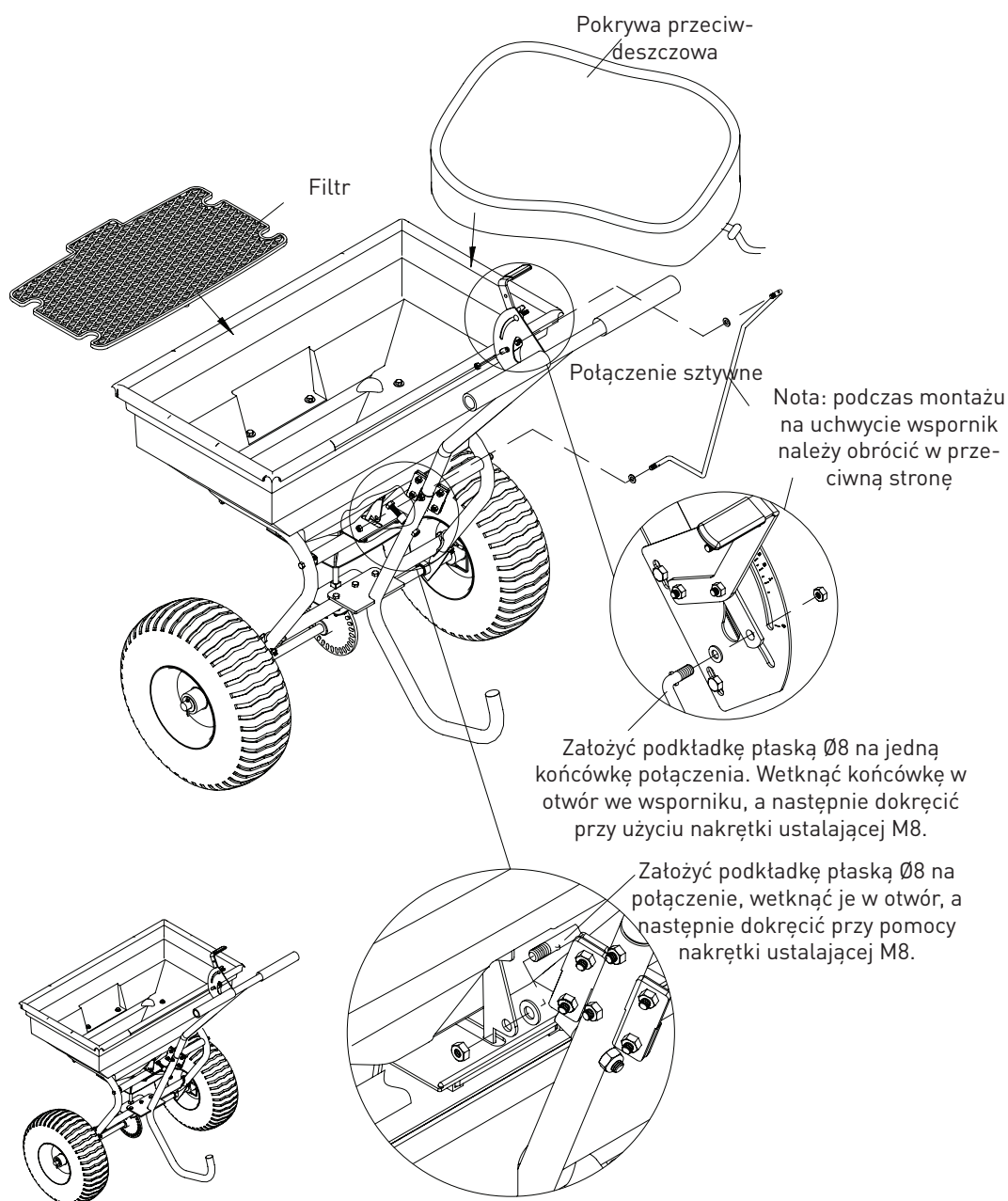
## KROK 4: MOCOWANIE UCHWYTU DO PODPÓRKI

1. Wsunąć rurkę uchwyty w górną część podpórki i ustawić znajdujące się w nich dwa otwory w jednej linii.
2. Wetknąć śruby z łbem sześciokątnym M6x35 w otwory w podpórce, a następnie dokręcić przy pomocy podkładki sprężystej  $\varnothing 6$  oraz nakrętki ustalającej M6.
3. Wetknąć śrubę z łbem sześciokątnym M6x20 w otwór w bocznej płycie montażowej, a następnie dokręcić przy pomocy podkładki sprężystej  $\varnothing 6$  oraz nakrętki ustalającej.



## KROK 5: MOCOWANIE POŁĄCZENIA SZTYWNEGO

1. Przymocować połączenie sztywne do dolnej płyty mocującej przy pomocy podkładki płaskiej  $\varnothing 8$ , a następnie dokręcić przy pomocy nakrętki ustalającej M8.
2. Przymocować przeciwległą końcówkę połączenia do regulatora dozowania przy pomocy podkładki płaskiej  $\varnothing 8$  i nakrętki ustalającej M8.
3. Umieścić filtr na dnie zbiornika.
4. Przed przystąpieniem do pracy z rozsiewaczem upewnić się, czy dokręcono dokładnie wszystkie elementy wyposażenia.
5. W razie potrzeby stosować pokrywę przeciwdeszczową w celu ochrony zawartego w zbiorniku materiału lub na czas przechowywania rozsiewacza w magazynie.





# INSTRUKCJA OBSŁUGI

## OSTRZEŻENIE

Przed rozpoczęciem pracy z rozsiewaczem należy zapoznać się z poniższymi informacjami dotyczącymi bezpieczeństwa. Niezastosowanie się do poniższych poleceń może skutkować ciężkimi obrażeniami operatora lub osób postronnych.

PL

## OBSŁUGA ROZSIEWACZA

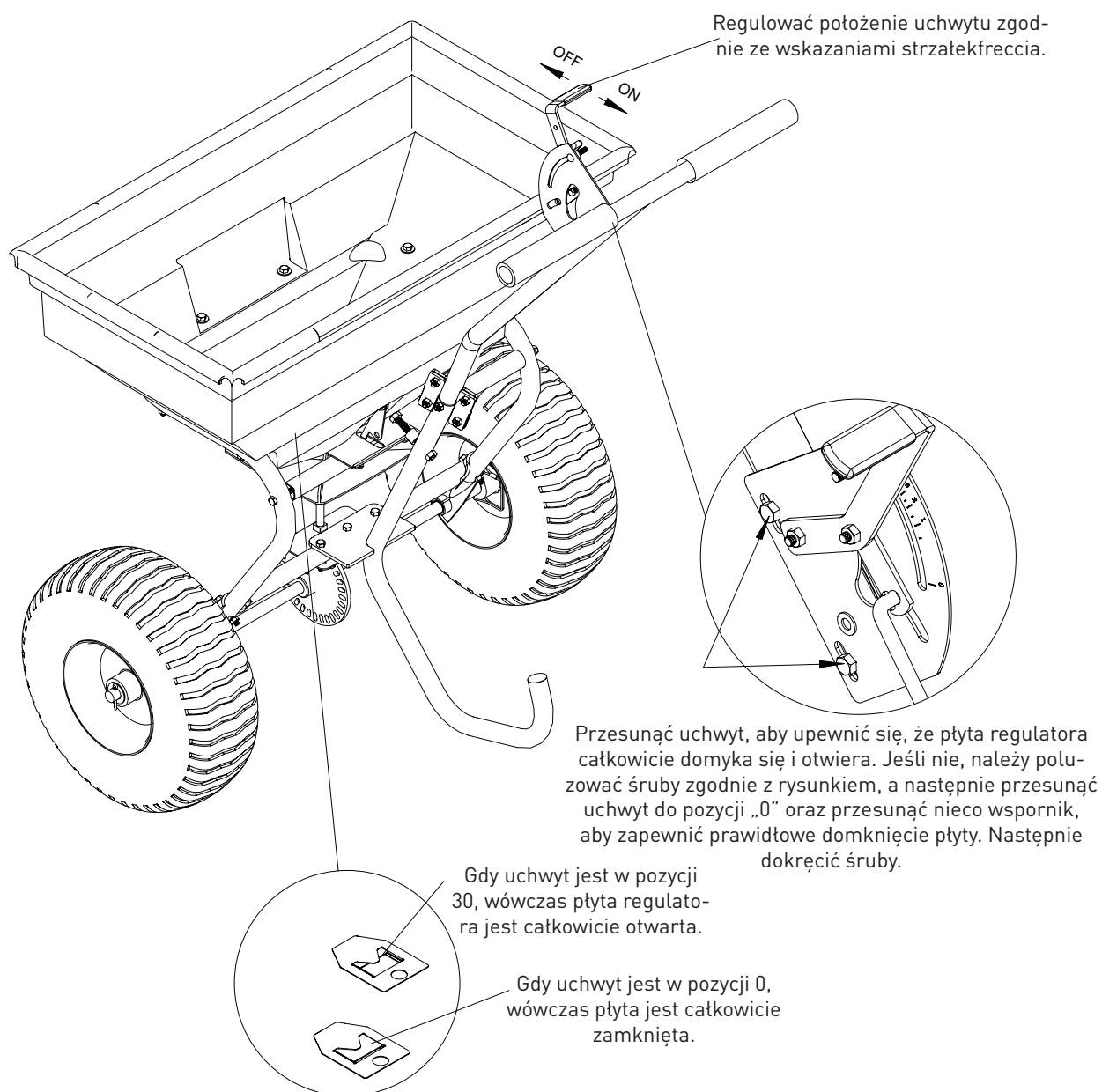
1. Przed użyciem należy skontrolować stan rozsiewacza, w szczególności upewnić się, że koła obracają się bezproblemowo podczas popychania urządzenia. W zbiorniku nie powinno być zanieczyszczeń ani pęknięć.
2. Rozsiewacz został zaprojektowany do rozsiewania szerokiej gamy materiałów (nawozu, nasion trawy i preparatu do odładzania). Do stosowania z rozsiewaczem nie nadają się, ze względu na swoje właściwości fizyczne: materiały sproszkowane, obornik, gleba, żwir i ściółka.
3. Nie rozsiewać nasion trawy ani środków chwastobójczym podczas wietrznych dni
4. Obliczyć przybliżoną powierzchnię przeznaczoną do pokrycia oraz potrzebną ilość materiału. Przestrzegać zaleceń producenta nawozu. Podczas napełniania zbiornika rozbić zbrylony nawóz.
5. Przed napełnieniem zbiornika upewnić się, że uchwyt regulacji dozowania jest w pozycji „0”, a płyta regulatora jest zamknięta.
6. W razie przerwy w pracy lub zawracania należy zamknąć regulator dozowania w celu chwilowego zatrzymania rozsiewu i przejść jeden dodatkowy krok. Czynność zapobiega stratom materiału i chroni trawnik przed nadmiernym pokryciem.
7. Przestrzegać zaleceń producenta dotyczących dozowania rozsiewanego nawozu.
8. Aby zapewnić równomierny rozsiew w trakcie ruchu ze zmienną prędkością, należy odpowiednio dostosować dozowanie przy pomocy regulatora, tj. zmniejszyć przy niskiej prędkości, zaś zwiększyć przy wysokiej.
9. Podczas pracy rozsiewacz musi znajdować się w pozycji poziomej. Przechyty mogą skutkować nierównym dozowaniem.
10. Zainstalować kotwę typu R-PIN w zbiorniku przed uruchomieniem rozsiewacza.
11. Przed rozpoczęciem pracy rozsiewacz musi być w ruchu.
12. Zawsze zamykać regulator dozowania przy zawracaniu i przerwach w pracy.
13. W przypadku zbyt obfitego rozsiewu materiału na małym obszarze, połączyć wodą z węża ogrodowego lub spryskiwacza, aby zapobiec wyżarciu trawnika.
14. W celu uzyskania równomiernego rozsiewu, każdy kolejny pas rozsiewu musi częściowo pokrywać się z poprzednim.
15. Podczas rozsiewania nie dopuścić do kontaktu materiału z drzewami wiecznie zielonymi, kwiatami i krzewami.
16. Nie nadużywać materiału. Przestrzegać zaleceń producenta dotyczących dozowania. Zbyt duże dawki mogą zniszczyć i zanieczyścić trawnik.



# INSTRUKCJA OBSŁUGI

## REGULACJA DOZOWANIA

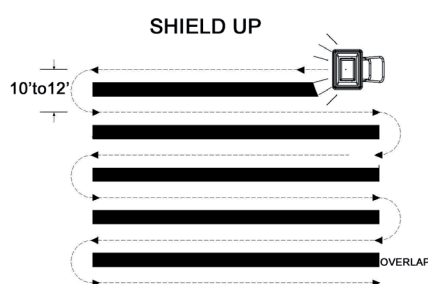
1. Ustawienia rozsiewacza można regulować przesuwając uchwyt zgodnie ze wskazaniami strzałek. Gdy uchwyt jest w pozycji „30”, płyta regulacyjna jest całkowicie otwarta, zaś w pozycji „0” jest ona całkowicie zamknięta.
2. Poluzować nakrętkę motylkową na wsporniku, a następnie przesunąć uchwyt dźwigni regulacji w górę lub w dół zależnie od wymaganej ilości materiału. Przesunięcie uchwytu w dół powoduje zwiększone dozowanie materiału, zaś przesunięcie do góry zatrzyma zupełnie przepływ.
3. Dokręcić nakrętkę motylkową po osiągnięciu pożądanej pozycji.



# RÓWNOMIERNE DOZOWANIE

## COPERTURA UNIFORME

W celu zapewnienia równomiernego dozowania upewnić się, że każdy kolejny pas rozsiejanego materiału pokrywa się częściowo z poprzednim. Przybliżone szerokości pasów rozsiewu dla poszczególnych materiałów podano w tabeli poniżej.



### OSTRZEŻENIE

Nie nadużywać materiału. Przestrzegać zaleceń producenta w zakresie dozowania. W przypadku zbyt obfitego rozsiewu materiału połączyć wodą z węża ogrodowego lub spryskiwacza, aby zapobiec wyżarciu trawnika.

# INSTRUKCJA POSYPYWANIA

## OBLICZANIE POTRZEBNEJ ILOŚCI MATERIAŁU

Aby obliczyć ilość nawozu potrzebnego do pokrycia trawnika, należy podzielić ilość podaną na etykiecie przez masę worka z nawozem. Np. worek o masie 10 lb (4,53 kg) pokrywa powierzchnię 10.000 stóp kwadratowych (929 m<sup>2</sup>), co daje 1 lb (0,45 kg) na każdy 1.000 stóp kwadratowych (92,9 m<sup>2</sup>) przy pełnej prędkości lub – w przypadku połowy pełnej prędkości – 0,5 lb (0,225 kg) nawozu na każdy 1.000 stóp kwadratowych (92,9 m<sup>2</sup>). Gotowe wartości znajdują się w Tabeli A (Przykład: worek 25 lb [11,25 kg] może pokryć 15.000 stóp kwadratowych [1393,5 m<sup>2</sup>], co daje 1,7 lb [0,77 kg] / 1.000 stóp kwadratowych [92,9 m<sup>2</sup>]). W Tabeli B można znaleźć przybliżone wartości dozowania (Przykład: 1,7 lb [0,77 kg] / 1.000 stóp kwadratowych [92,9 m<sup>2</sup>], czyli Ustawienie Dozowania 8).

**Tabella A - Piedi quadrati di copertura per sacco\***

MASA WORKA	LBS (funty) / 1.000 stóp kwadratowych		
	PRZEZNACZONY DO POKRYCIA OBSZAR 5.000 STÓP KWADRATOWYCH	PRZEZNACZONY DO POKRYCIA OBSZAR 10.000 STÓP KWADRATOWYCH	PRZEZNACZONY DO POKRYCIA OBSZAR 15.000 STÓP KWADRATOWYCH
5	1,0 LB	0,5 LB	0,3 LB
10	2,0 LB	1,0 LB	0,7 LB
15	3,0 LB	1,5 LB	1,0 LB
20	4,0 LB	2,0 LB	1,3 LB
25	5,0 LB	2,5 LB	1,7 LB
30	6,0 LB	3,0 LB	2,0 LB
35	7,0 LB	3,5 LB	2,3 LB
40	8,0 LB	4,0 LB	2,7 LB
45	9,0 LB	4,5 LB	3,0 LB
50	10,0 LB	5,0 LB	3,3 LB
55	11,0 LB	5,5 LB	3,7 LB

\*Podawane wartości są szacunkowe i mogą różnić się od rzeczywistych

1 lb = 0,45 kg; 1 stopa kwadratowa = 0,0929 m<sup>2</sup>

**Tabela B – Ustawienia dozowania rozsiewacza\***

MATERIAŁ	LBS (FUNTY) / 1.000 STÓP KWADRATOWYCH	USTAWIENIE DOZOWANIA POSYPYWARKI	ROZSIEWANIE CZĄSTEK MAŁYCH (W STOPACH)	ROZSIEWANIE CZĄSTEK ŚREDNICH (W STOPACH)	ROZSIEWANIE CZĄSTEK DUŻYCH (W STOPACH)
FERTILIZZANTE	1	5	5-6 FT	6-9 FT	9-12 FT
	2	8	5-6 FT	6-9 FT	9-12 FT
	3	10	5-6 FT	6-9 FT	9-12 FT
	4	13	5-6 FT	6-9 FT	9-12 FT
	5	15	5-6 FT	6-9 FT	9-12 FT
SEMENTI PER ERBA	6	18	5-6 FT	6-9 FT	9-12 FT
	7	20	5-6 FT	6-9 FT	9-12 FT
SCIOGLI-GHIACCIO	8	23	5-6 FT	6-9 FT	9-12 FT
	9	25	5-6 FT	6-9 FT	9-12 FT
	10	28	5-6 FT	6-9 FT	9-12 FT
	11	30	5-6 FT	6-9 FT	9-12 FT

\*Podawane wartości są szacunkowe i mogą różnić w zależności od materiału

1 lb = 0,45 kg; 1 stopa kwadratowa = 0,0929 m<sup>2</sup>

**UWAGA: NIE UŻYWAĆ SOLI.** Użycie soli spowoduje uszkodzenie mechanizmu i skrócenie jego okresu żywotności.

## KONSERWACJA I PRZECHOWYWANIE

### OSTRZEŻENIE

Niewłaściwa konserwacja i przechowywanie posypywarki mogą skutkować unieważnieniem gwarancji.

### KONSERWACJA

- Po użyciu usunąć ze zbiornika resztki materiału
- Wypłukać/osuszyć posypywarki od wewnątrz i od zewnątrz po zakończonej pracy
- Przed przystąpieniem do pracy upewnić się, czy ciśnienie w oponach wynosi 30 PSI (2,04 atm)
- Okresowo sprawdzać dokręcenie wszystkich mocowań
- Czyścić i lekko smarować części w odstępach rocznych
- Spryskać zadrapane lub zużyte powierzchnie metalowe błyszczącą farbą emaliową w sprayu
- Nie przekraczać maksymalnego dopuszczalnego obciążenia 125 lbs (56,63 kg) – w przeciwnym razie dojdzie do uszkodzenia posypywarki.

### WAŻNE:

Części zamienne muszą być zgodne z wymogami producenta. Nieprzestrzeganie tej zasady może prowadzić do zagrożenia lub nieprawidłowego działania.

### PRZECHOWYWANIE

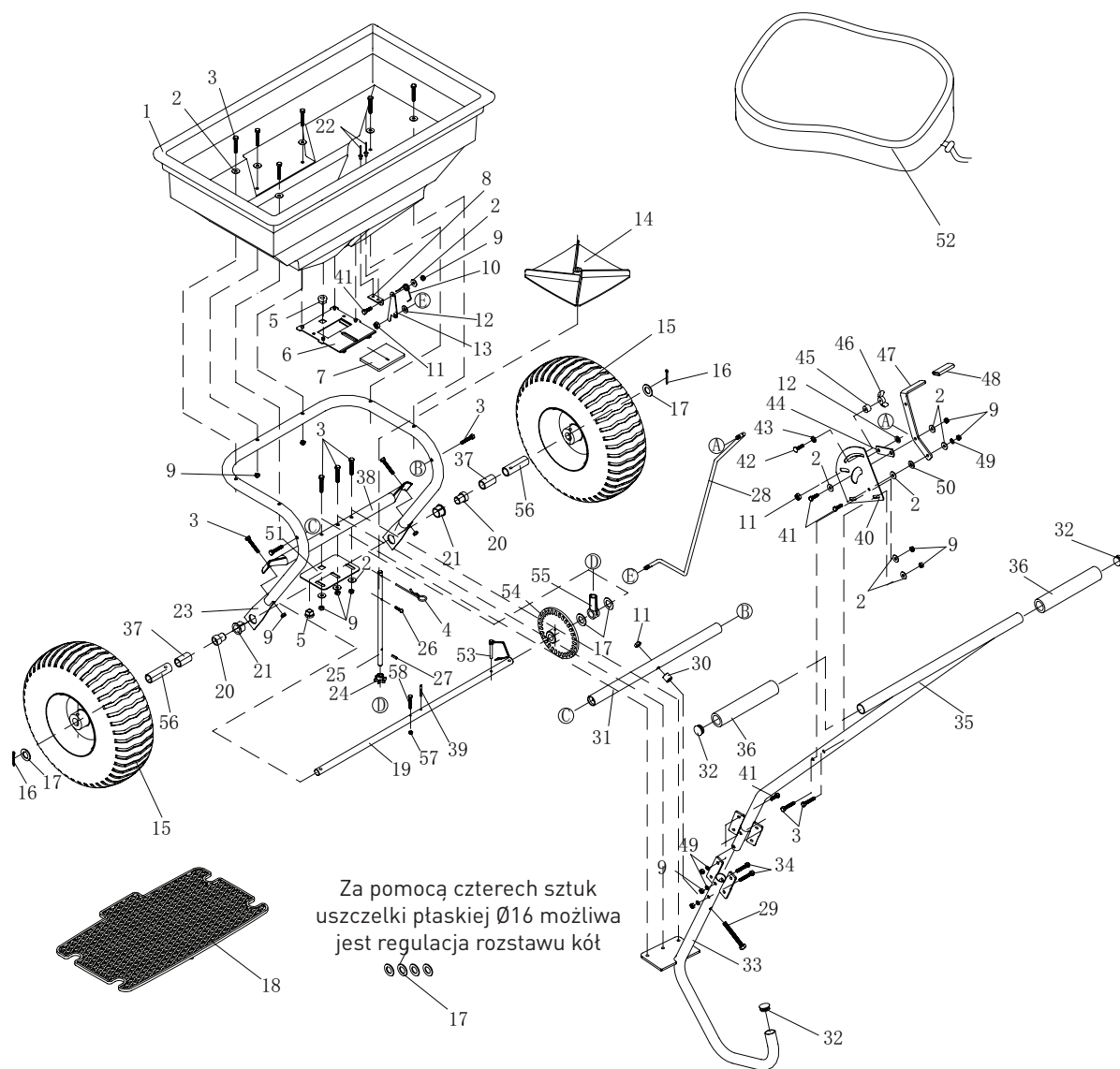
- Nie pozostawiać materiału w zbiorniku przez dłuższy czas. Przesypać niezużyty materiał z powrotem do oryginalnego pojemnika.
- Przed odstawieniem do magazynu wyczyścić i osuszyć posypywarkę. Czynność ta zapewni jego bezproblemowe działanie przez długie lata.
- Podczas niekorzystnych warunków pogodowych i w okresie zimowym przechowywać w pomieszczeniu zamkniętym lub w odpowiednio zabezpieczonym miejscu.

## CHARAKTERYSTYKA TECHNICZNA

Dopuszczalne obciążenie:	125 lb (56,63 kg)
Typ rozsiewacza:	rozsiewacz o siewie rzutowym
Materiał wykonania zbiornika:	polipropylen
Wymiary zbiornika:	w,5" x 16,5" x 13,5" (73,66 x 41,91 x 34,04 cm)
Wymiary urządzenia:	44" x 31,5" x 35,5" (111,76 x 80,01 x 88,75 cm)
Rozmiar koła:	15" (38,1 cm)
Ciśnienie w oponach:	30 PSI (2,04 atm)
Masa jednostki:	15,85 kg

# RYSUNEK I WYKAZ CZĘŚCI

PL



**PL**

Numer	Opis	Ilość	Numer	Opis	Ilość
1	Zbiornik	1	30	Podkładka dystansowa	1
2	Duża podkładka płaska Ø6	16	31	Rurka poprzeczna nieruchoma	1
3	Śruba z łbem sześciokątnym M6x40	15	32	Zatyczka plastikowa	3
4	Kotwa typu R-PIN Ø3	1	33	Rurka nośna	1
5	Łożysko	2	34	Śruba z łbem sześciokątnym M6x35	2
6	Płyta regulacyjna nieruchoma	1	35	Uchwyt	1
7	Płyta regulacyjna aktywna	1	36	Nakładka na uchwyt	2
8	Podstawa na sprężynę	1	37	Tuleja osi	2
9	Sześciokątna nakrętka ustalająca M6	22	38	Rurka poprzeczna	1
10	Sprężyna	1	39	Kotek sprężynujący Ø4x30	1
11	Sześciokątna nakrętka ustalająca M8	3	40	Wspornik	1
12	Podkładka płaska Ø8	2	41	Śruba z łbem sześciokątnym M6x20	7
13	Płyta nieruchoma do sworznia łączącego	1	42	Śruba zamkowa M6x25	1
14	Wirnik	1	43	Podkładka z zębami Ø8	1
15	Koło	2	44	Płyta łącząca	1
16	Przetyczka Ø5x35	2	45	Podkładka dystansowa	1
17	Podkładka płaska Ø16	8	46	Nakrętka motylkowa M6	1
18	Filtr	1	47	Uchwyt regulatora	1
19	Oś	1	48	Nakładka na uchwyt	1
20	Wewnętrzna tuleja osi	2	49	Podkładka sprężysta Ø6	1
21	Zewnętrzna tuleja osi	2	50	Podkładka nylonowa	1
22	Nit Ø5x8	2	51	Płyta podpierająca wał	1
23	Układ ramy	1	52	Pokrywa przeciwdeszczowa	1
24	Zębnik	1	53	Wybijak	1
25	Oś skrzętna	1	54	Koło zębate	1
26	Wkręt M4x20	1	55	Nasadka podpory wału	1
27	Kotek sprężynujący Ø3x16	1	56	Tuleja koła	2
28	Połączenie sztywne	1	57	Sześciokątna nakrętka ustalająca M5	1
29	Śruba z łbem sześciokątnym M8x75	1	58	Śruba z łbem sześciokątnym M5x40	1