

Design

The Hallite 663 is an asymmetric seal offering superlative dry rod sealing for light and medium duty applications.

The seal is a single lip modification of the well established Hallite 605 profile and is ideal for applications which require a double lip wiper such as the Hallite 839, Hallite 844 or Hallite 846.

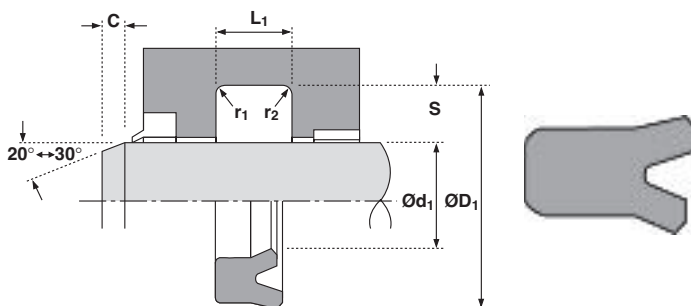
Manufactured in Hythane® – 181, the Hallite 663 is an extremely flexible seal making installation very easy. The Hallite 663 is also available in Hallite 361 material.

Features

- Easy installation
- Dry rod sealing performance when used with Hallite 839, 844 or 846 wipers

Material Options

Hythane® 181	_____0
Hallite® 361	_____6



Technical details

Operating conditions

Maximum Speed	1.0 m/sec
Temperature Range	-45°C +110°C
Maximum Pressure	400 bar

Inch

3.0 ft/sec
-50°F +230°F
6000 p.s.i.

Maximum extrusion gap

Figures show the maximum permissible gap all on one side using minimum rod \varnothing and maximum clearance \varnothing . Refer to Housing Design section

Pressure bar	160	250	400
Maximum Gap mm	0.6	0.5	0.4
Pressure p.s.i.	2400	3750	6000

Surface roughness

Dynamic Sealing Face $\varnothing d_1$	μmRa 0.1 <> 0.4	μmRt 4 max	μinCLA 4 <> 16	μinRMS 5 <> 18
Static Sealing Face $\varnothing D_1$	1.6 max	10 max	63 max	70 max
Static Housing Faces L_1	3.2 max	16 max	125 max	140 max

Chamfers & Radii

Groove Section $\leq S$ mm	4.0	5.0	7.5	10
Min Chamfer C mm	3.0	3.5	5.0	6.5
Max Fillet Rad r_1 mm	0.2	0.4	0.8	0.8
Max Fillet Rad r_2 mm	0.4	0.8	1.2	1.2

Tolerances

$\varnothing d_1$	$\varnothing D_1$	L_1 mm
f9	Js11	+0.25 -0

