

## Design

The Hallite 663 is an asymmetric seal offering superlative dry rod sealing for light and medium duty applications.

The seal is a single lip modification of the well established Hallite 605 profile and is ideal for applications which require a double lip wiper such as the Hallite 839, Hallite 844 or Hallite 846.

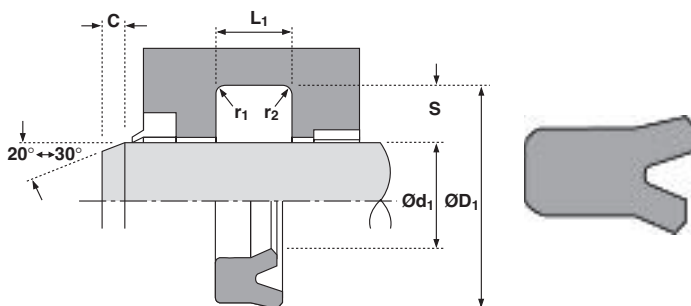
Manufactured in Hythane® – 181, the Hallite 663 is an extremely flexible seal making installation very easy. The Hallite 663 is also available in Hallite 361 material.

### Features

- Easy installation
- Dry rod sealing performance when used with Hallite 839, 844 or 846 wipers

### Material Options

Hythane® 181	_____0
Hallite® 361	_____6



## Technical details

### Operating conditions

Maximum Speed	1.0 m/sec
Temperature Range	-45°C +110°C
Maximum Pressure	400 bar

### Inch

3.0 ft/sec
-50°F +230°F
6000 p.s.i.

### Maximum extrusion gap

Figures show the maximum permissible gap all on one side using minimum rod  $\varnothing$  and maximum clearance  $\varnothing$ . Refer to Housing Design section

Pressure bar	160	250	400
Maximum Gap mm	0.6	0.5	0.4
Pressure p.s.i.	2400	3750	6000

### Surface roughness

Dynamic Sealing Face $\varnothing d_1$	$\mu\text{mRa}$ 0.1 < > 0.4	$\mu\text{mRt}$ 4 max	$\mu\text{inCLA}$ 4 < > 16	$\mu\text{inRMS}$ 5 < > 18
Static Sealing Face $\varnothing D_1$	1.6 max	10 max	63 max	70 max
Static Housing Faces $L_1$	3.2 max	16 max	125 max	140 max

### Chamfers & Radii

Groove Section $\leq S$ mm	4.0	5.0	7.5	10
Min Chamfer C mm	3.0	3.5	5.0	6.5
Max Fillet Rad $r_1$ mm	0.2	0.4	0.8	0.8
Max Fillet Rad $r_2$ mm	0.4	0.8	1.2	1.2

### Tolerances

$\varnothing d_1$	$\varnothing D_1$	$L_1$ mm
f9	Js11	+0.25 -0

