

Design

The Hallite 606 is an asymmetric piston seal designed to offer effective bore sealing in a wide variety of applications.

The outer *dynamic* lip is shorter and more robust to provide improved sealing and compression set characteristics over conventional U rings.

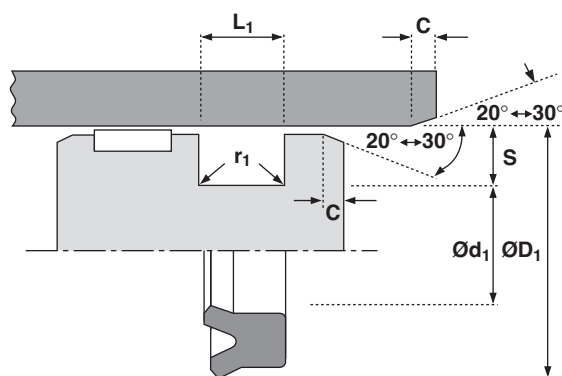
The seal can be used by itself as a single acting seal or fitted back to back in separate grooves for double acting applications.

Manufactured in Hallite's high performance polyurethane Hythane® 181, The Hallite 606 provides the following benefits:

NB: Part numbers suffixed by “+” indicate housing sizes to meet ISO5597.

Features

- Flexible for easy installation
- Excellent wear resistance
- High resistance to extrusion
- Robust design
- Wide temperature range



Technical details

Operating conditions

Maximum Speed	1.0 m/sec
Temperature Range	-45°C +110°C
Maximum Pressure	400 bar*

3.0 ft/sec
-50°F +230°F
6,000 p.s.i.*

Maximum extrusion gap

Figures show the maximum permissible gap all on one side using minimum rod \varnothing and maximum clearance \varnothing . Refer to Housing Design section.

Pressure bar	160	250	400
Maximum Gap mm	0.6	0.5	0.4
Pressure p.s.i.	2400	3750	6000
Maximum Gap in	0.024	0.020	0.016

Surface roughness

Dynamic Sealing Face $\varnothing D_1$	μmRa 0.1 <> 0.4	μmRt 4 max	μinCLA 4 <> 16	μinRMS 5 <> 18
Static Sealing Face $\varnothing d_1$	1.6 max	10 max	63 max	70 max
Static Housing Faces L_1	3.2 max	16 max	125 max	140 max

Chamfers & Radii

Groove Section $\leq S$ mm	4.0	5.0	7.5	10.0		
Min Chamfer C mm	3.0	3.5	5.0	6.5		
Max Fillet Rad r_1 mm	0.2	0.4	0.8	0.8		
Groove Section $\leq S$ in	0.125	0.187	0.250	0.312	0.375	0.500
Min Chamfer C in	0.093	0.093	0.125	0.156	0.187	0.217
Max Fillet Rad r_1 in	0.008	0.008	0.016	0.032	0.032	0.032

Tolerances

$\varnothing D_1$	H9	$\varnothing d_1$	js11	L_1 mm	+0.25 -0	L_1 in	+0.010 -0
-------------------	----	-------------------	------	----------	----------	----------	-----------

* Pressure rating of seal can be extended to 700 bar /10,000p.s.i. with the use of a back up ring. If this option is required seek advice from your local Hallite Seals sales office.



single acting piston seals