

## Design

The Hallite 605 is an asymmetric seal offering superlative dry rod sealing for light and medium duty applications.

The 605 has become an industry standard seal worldwide owing to its twin lip profile and consistent performance.

Manufactured in Hythane® – 181, the Hallite 605 is an extremely flexible seal making installation very easy.

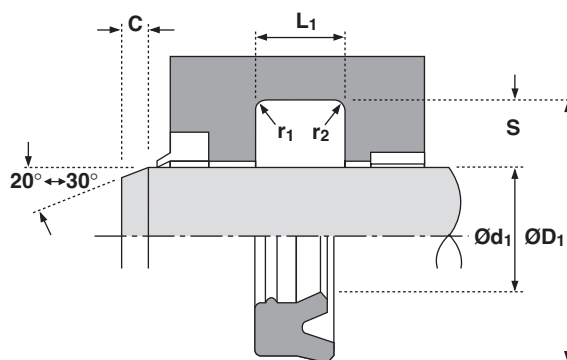
The ranges cover most standard housings used in Europe, North America and Asia.

**NB:** Part numbers commencing 46 . . . . . or suffixed by “+” are designed to suit popular Asian housings.

Part numbers suffixed by “‡” indicate housing sizes to meet ISO5597.

### Features

- Twin lip design offering: lower friction, improved sealing, primary lip protection, increased seal stability
- Easy installation



### Technical details

#### Operating conditions

Maximum Speed 1.0 m/sec  
 Temperature Range -45°C +110°C  
 Maximum Pressure 400 bar\*

3.0 ft/sec  
 -50°F +230°F  
 6000 p.s.i.\*

#### Maximum extrusion gap

Pressure bar 160  
 Maximum Gap mm 0.6  
 Pressure p.s.i. 2400  
 Maximum Gap in 0.024

Figures show the maximum permissible gap all on one side using minimum rod Ø and maximum clearance Ø.

Pressure bar	250	400
Maximum Gap mm	0.5	0.4
Pressure p.s.i.	3750	6000
Maximum Gap in	0.020	0.016

#### Surface roughness

Dynamic Sealing Face Ød<sub>1</sub>  
 Static Sealing Face ØD<sub>1</sub>  
 Static Housing Faces L<sub>1</sub>

µmRa	µmRt	µinCLA	µinRMS
0.1 < > 0.4	4 max	4 < > 16	5 < > 18
1.6 max	10 max	63 max	70 max
3.2 max	16 max	125 max	140 max

#### Chamfers & Radii

Groove Section ≤ S mm  
 Min Chamfer C mm  
 Max Fillet Rad r<sub>1</sub> mm  
 Max Fillet Rad r<sub>2</sub> mm  
 Groove Section ≤ S in  
 Min Chamfer C in  
 Max Fillet Rad r<sub>1</sub> in  
 Max Fillet Rad r<sub>2</sub> in

4.0	5.0	7.5	10.0	12.5	15.0
3.0	3.5	5.0	6.5	7.0	8.0
0.2	0.4	0.8	0.8	1.2	1.6
0.4	0.8	1.2	1.2	1.6	2.4
0.125	0.187	0.250	0.312	0.375	0.500
0.093	0.093	0.125	0.156	0.187	0.217
0.008	0.008	0.016	0.032	0.032	0.032
0.016	0.016	0.032	0.047	0.047	0.047

#### Tolerances

Ød <sub>1</sub>	ØD <sub>1</sub>	L <sub>1</sub> mm	L <sub>1</sub> in
f9	Js11	+0.25 -0	+0.010 -0



rod seals

\* Pressure rating of seal can be extended to 700 bar /10,000p.s.i. with the use of a back up ring. If this option is required seek advice from your local Hallite Seals sales office.