

Design

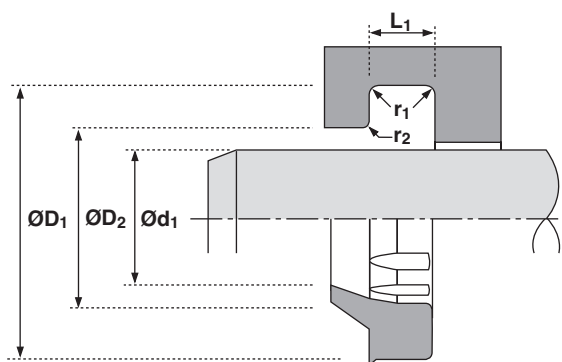
The Hallite 38 wiper has been designed so that the proportions of the wiping lip ensure it maintains contact with the rod surface to remove heavily deposited mud, ice etc. The outside diameter contacts the housing and has a sealing lip to prevent moisture entering the groove.

A polyester based material is used to provide a tough abrasion resistant wiper for the difficult conditions usually found in mining or earth moving applications. All the range can be used with a split housing, however, the majority can be installed in a blind housing with care.

NB: Part numbers suffixed by “#” indicate housing sizes to meet ISO 6195A.

Features

- Outside lip for effective housing seal
- Pressure relief ribs
- Effective scraping lip



Technical details

Operating conditions

Maximum Speed 4.0 m/sec
Temperature Range -40°C +120°C

Surface roughness

| | µmRa | µmRt |
|---|-------------|--------|
| Dynamic Sealing Face Ød ₁ | 0.1 < > 0.4 | 4 max |
| Static Sealing Face ØD ₁ ØD ₂ | 1.6 max | 10 max |
| Static Housing Faces L ₁ | 3.2 max | 16 max |

Radii

| | ≤ 50 | ≤ 90 | ≤ 200 | > 200 |
|----------------------------------|------|------|-------|-------|
| Rod Diameter Ød ₁ mm | | | | |
| Max Fillet Rad r ₁ mm | 0.4 | 0.4 | 0.4 | 0.8 |
| Max Fillet Rad r ₂ mm | 0.2 | 0.4 | 0.6 | 0.8 |

Tolerances

| | Ød ₁ | ØD ₁ | ØD ₂ | L ₁ mm |
|--|-----------------|-----------------|-----------------|-------------------|
| | f9 | H11 | H11 | +0.2-0 |

Inch

12.0 ft/sec
-40°F +250°F

| | µinCLA | µinRMS |
|---|----------|----------|
| Dynamic Sealing Face Ød ₁ | 4 < > 16 | 5 < > 18 |
| Static Sealing Face ØD ₁ ØD ₂ | 63 max | 70 max |
| Static Housing Faces L ₁ | 125 max | 140 max |

| | ≤ 200 | > 200 |
|----------------------------------|-------|-------|
| Rod Diameter Ød ₁ mm | | |
| Max Fillet Rad r ₁ mm | 0.4 | 0.8 |
| Max Fillet Rad r ₂ mm | 0.6 | 0.8 |

