

Design

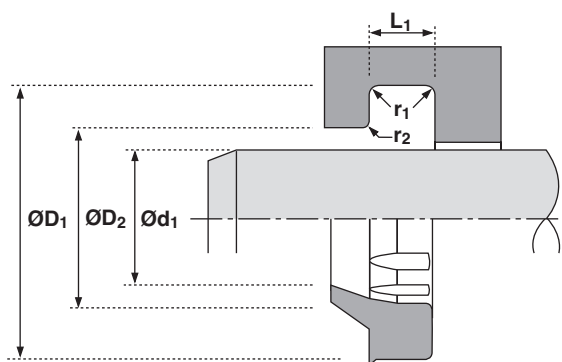
The Hallite 38 wiper has been designed so that the proportions of the wiping lip ensure it maintains contact with the rod surface to remove heavily deposited mud, ice etc. The outside diameter contacts the housing and has a sealing lip to prevent moisture entering the groove.

A polyester based material is used to provide a tough abrasion resistant wiper for the difficult conditions usually found in mining or earth moving applications. All the range can be used with a split housing, however, the majority can be installed in a blind housing with care.

NB: Part numbers suffixed by “#” indicate housing sizes to meet ISO 6195A.

Features

- Outside lip for effective housing seal
- Pressure relief ribs
- Effective scraping lip



Technical details

Operating conditions

Maximum Speed

Temperature Range

Metric

4.0 m/sec
-40°C +120°C

Inch

12.0 ft/sec
-40°F +250°F

Surface roughness

Dynamic Sealing Face $\text{Ø}d_1$

Static Sealing Face $\text{Ø}D_1$ $\text{Ø}D_2$

Static Housing Faces L_1

μmRa	μmRt
0.1 < > 0.4	4 max
1.6 max	10 max
3.2 max	16 max

μinCLA	μinRMS
4 < > 16	5 < > 18
63 max	70 max
125 max	140 max

Radii

Rod Diameter $\text{Ø}d_1$ mm

Max Fillet Rad r_1 mm

Max Fillet Rad r_2 mm

≤ 50	≤ 90	≤ 200	> 200
0.4	0.4	0.4	0.8
0.2	0.4	0.6	0.8

Tolerances

$\text{Ø}d_1$	$\text{Ø}D_1$	$\text{Ø}D_2$	L_1 mm
f9	H11	H11	+0.2-0

