

Design

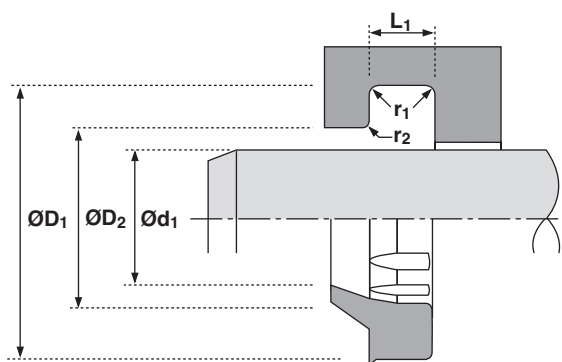
The Hallite 38 wiper has been designed so that the proportions of the wiping lip ensure it maintains contact with the rod surface to remove heavily deposited mud, ice etc. The outside diameter contacts the housing and has a sealing lip to prevent moisture entering the groove.

A polyester based material is used to provide a tough abrasion resistant wiper for the difficult conditions usually found in mining or earth moving applications. All the range can be used with a split housing, however, the majority can be installed in a blind housing with care.

NB: Part numbers suffixed by “#” indicate housing sizes to meet ISO 6195A.

Features

- Outside lip for effective housing seal
- Pressure relief ribs
- Effective scraping lip



Technical details

Operating conditions

Maximum Speed 4.0 m/sec
Temperature Range -40°C +120°C

Surface roughness

	µmRa	µmRt
Dynamic Sealing Face $\varnothing d_1$	0.1 < > 0.4	4 max
Static Sealing Face $\varnothing D_1$ $\varnothing D_2$	1.6 max	10 max
Static Housing Faces L_1	3.2 max	16 max

Radii

	≤ 50	≤ 90	≤ 200	> 200
Rod Diameter $\varnothing d_1$ mm				
Max Fillet Rad r_1 mm	0.4	0.4	0.4	0.8
Max Fillet Rad r_2 mm	0.2	0.4	0.6	0.8

Tolerances

	$\varnothing d_1$	$\varnothing D_1$	$\varnothing D_2$	L_1 mm
	f9	H11	H11	+0.2-0

Inch

12.0 ft/sec
-40°F +250°F

	µinCLA	µinRMS
Dynamic Sealing Face $\varnothing d_1$	4 < > 16	5 < > 18
Static Sealing Face $\varnothing D_1$ $\varnothing D_2$	63 max	70 max
Static Housing Faces L_1	125 max	140 max

	≤ 200	> 200
Rod Diameter $\varnothing d_1$ mm		
Max Fillet Rad r_1 mm	0.4	0.8
Max Fillet Rad r_2 mm	0.6	0.8

