

**Design**

The Hallite 335 is an O-ring energised double lip wiper, which is designed to exclude dirt from entering the cylinder and to collect traces of fluid passing the rod seal.

The standard design is made from bronze filled PTFE, activated by an NBR O-ring.

A number of other material options can be provided to extend operating conditions. Please ensure that the correct part number is specified for the material option as indicated.

The housing sizes listed meet ISO6195D.

**NB:** A vent between the seal and wiper is recommended to avoid a pressure trap

**Features**

- Protects primary seal from contamination
- Extends seal life
- Low friction no stick-slip
- High strength machined PTFE wiper
- Wide range of other materials and dimensions available for special applications

**Materials**

Wiper Face - O Ring  
**Standard material**  
PTFE/Bronze - NBR

----- 20

**Material options:**  
PTFE/Bronze - FKM

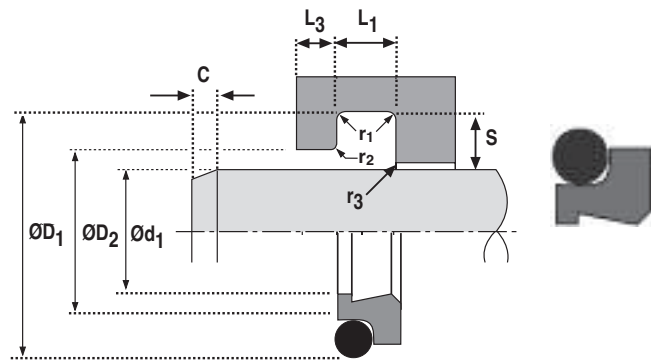
----- 21

PTFE/Glass - NBR

----- 10

PTFE/Glass - FKM

----- 11



**Technical details**

**Operating conditions**

	Metric	Inch
Maximum Speed	5.0 m/sec	15.0 ft/sec
Temperature Range	-30°C +100°C	-22°F +212°F

**Surface roughness**

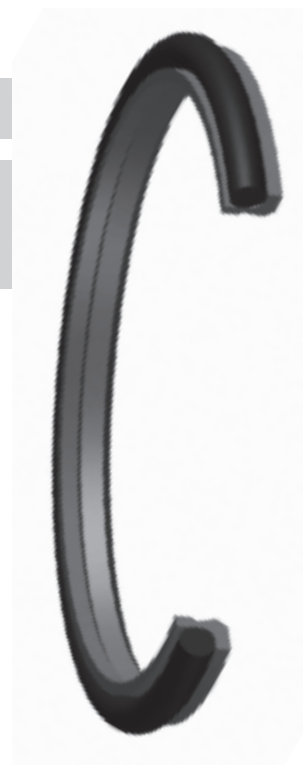
	µmRa	µmRt	µinCLA	µinRMS
Dynamic Sealing Face Ød <sub>1</sub>	0.1 <> 0.4	4 max	4 <> 16	5 <> 18
Static Sealing Face ØD <sub>1</sub> ØD <sub>2</sub>	1.6 max	10 max	63 max	70 max
Static Housing Faces L <sub>1</sub>	3.2 max	16 max	125 max	140 max

**Chamfers & Radii**

	Metric	Inch
Groove Section ≤ S mm	3.4	6.1
Min Chamfer C mm	2.0	2.5
Max Fillet Rad r <sub>1</sub> mm	0.5	0.5
Max Fillet Rad r <sub>2</sub> mm	0.5	0.5

**Tolerances**

mm	Ød <sub>1</sub>	ØD <sub>1</sub>	ØD <sub>2</sub>	L <sub>1</sub>
	f9	H9	H11	+0.2 -0



wipers