

Design

The Hallite 335 is an O-ring energised double lip wiper, which is designed to exclude dirt from entering the cylinder and to collect traces of fluid passing the rod seal.

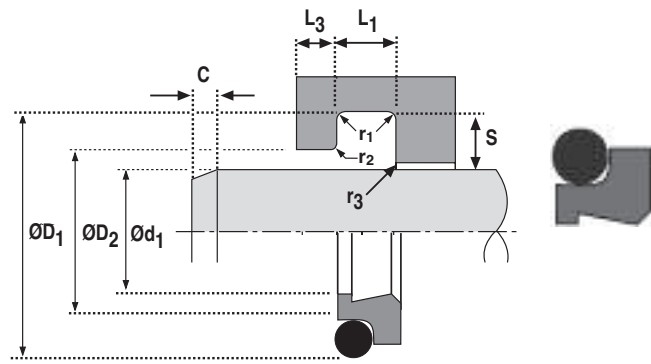
The standard design is made from bronze filled PTFE, activated by an NBR O-ring.

A number of other material options can be provided to extend operating conditions. Please ensure that the correct part number is specified for the material option as indicated.

The housing sizes listed meet ISO6195D.

NB: A vent between the seal and wiper is recommended to avoid a pressure trap

Features	Materials
<ul style="list-style-type: none"> Protects primary seal from contamination Extends seal life Low friction no stick-slip High strength machined PTFE wiper Wide range of other materials and dimensions available for special applications 	<p>Wiper Face - O Ring Standard material PTFE/Bronze – NBR</p> <p>----- 20</p> <p>Material options: PTFE/Bronze – FKM</p> <p>----- 21</p> <p>PTFE/Glass – NBR</p> <p>----- 10</p> <p>PTFE/Glass – FKM</p> <p>----- 11</p>



Technical details

Operating conditions

	Metric	Inch
Maximum Speed	5.0 m/sec	15.0 ft/sec
Temperature Range	-30°C +100°C	-22°F +212°F

Surface roughness

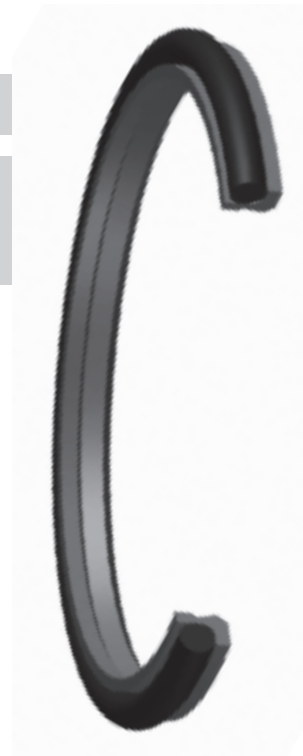
	µmRa	µmRt	µinCLA	µinRMS
Dynamic Sealing Face $\varnothing d_1$	0.1 <> 0.4	4 max	4 <> 16	5 <> 18
Static Sealing Face $\varnothing D_1$ $\varnothing D_2$	1.6 max	10 max	63 max	70 max
Static Housing Faces L_1	3.2 max	16 max	125 max	140 max

Chamfers & Radii

	Metric	Inch
Groove Section $\leq S$ mm	3.4	6.1
Min Chamfer C mm	2.0	2.5
Max Fillet Rad r_1 mm	0.5	0.5
Max Fillet Rad r_2 mm	0.5	0.5

Tolerances

mm	$\varnothing d_1$	$\varnothing D_1$	$\varnothing D_2$	L_1
	f9	H9	H11	+0.2 -0



wipers