

**Design**

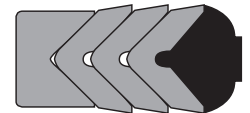
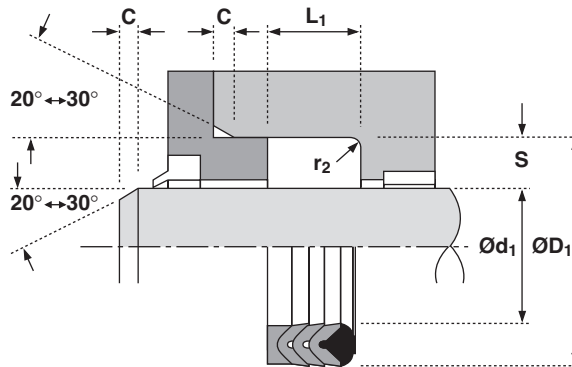
The Hallite 07 is a multi lip rod seal, for medium to heavy duty applications, composed of a header ring, vee rings and a female adaptor.

The header ring is the primary seal. It is a bonded construction of a rubberised fabric vee ring and rubber. When installed the section is pre-loaded to seal at low pressure but has the strength and durability of the fabric to operate at higher pressures. Rubberised fabric is also used for the vee rings. These provide secondary sealing as pressure acting on the header ring spreads the vee rings increasing the sealing area. The female adaptor provides the support and protection from extrusion damage. It is manufactured in either polyacetal or hard rubberised fabric. The assembly is a pressure activated packing that does not require any axial pre-load.

The range has a header ring, a female adaptor and 2 vee rings. Other sizes and constructions are available on request.

**Features**

- Effective Dri-Rod seal under both high and low pressure conditions
- Precision moulded vee rings
- Pressure activated
- No adjustment necessary



**Technical details**

**Operating conditions**

Maximum Speed 0.5 m/sec  
Temperature Range -30°C +100°C  
Maximum Pressure 700 bar

**Inch**

1.5 ft/sec  
-22°F +212°F  
10,000 p.s.i.

**Maximum extrusion gap**

	160	250	400	700
Pressure bar	160	250	400	700
Maximum Gap mm	0.4	0.3	0.2	0.1
Pressure p.s.i.	2400	3750	6000	10,000
Maximum Gap in	0.016	0.012	0.008	0.004

Figures show the maximum permissible gap all on one side using minimum rod Ø and maximum clearance Ø. Refer to Housing Design section.

**Surface roughness**

	µmRa	µmRt	µinCLA	µinRMS
Dynamic Sealing Face Ød <sub>1</sub>	0.1 <> 0.4	4 max	4 <> 16	5 <> 18
Static Sealing Face ØD <sub>1</sub>	1.6 max	10 max	63 max	70 max
Static Housing Faces L <sub>1</sub>	3.2 max	16 max	125 max	140 max

**Chamfers & Radii**

	7.5	10.0	12.5	15.0
Groove Section ≤ S mm	7.5	10.0	12.5	15.0
Min Chamfer C mm	4.0	5.0	6.5	7.5
Max Fillet Rad r <sub>1</sub> mm	0.8	0.8	0.8	1.6
Groove Section ≤ S in	0.250	0.312	0.375	0.500
Min Chamfer C in	0.125	0.156	0.187	0.250
Max Fillet Rad r <sub>1</sub> in	0.031	0.031	0.031	0.031

**Tolerances**

Ød <sub>1</sub>	ØD <sub>1</sub>	L <sub>1</sub> mm	L <sub>1</sub> in
f9	J511	+0.25 -0	+0.010 -0



vee pack sets