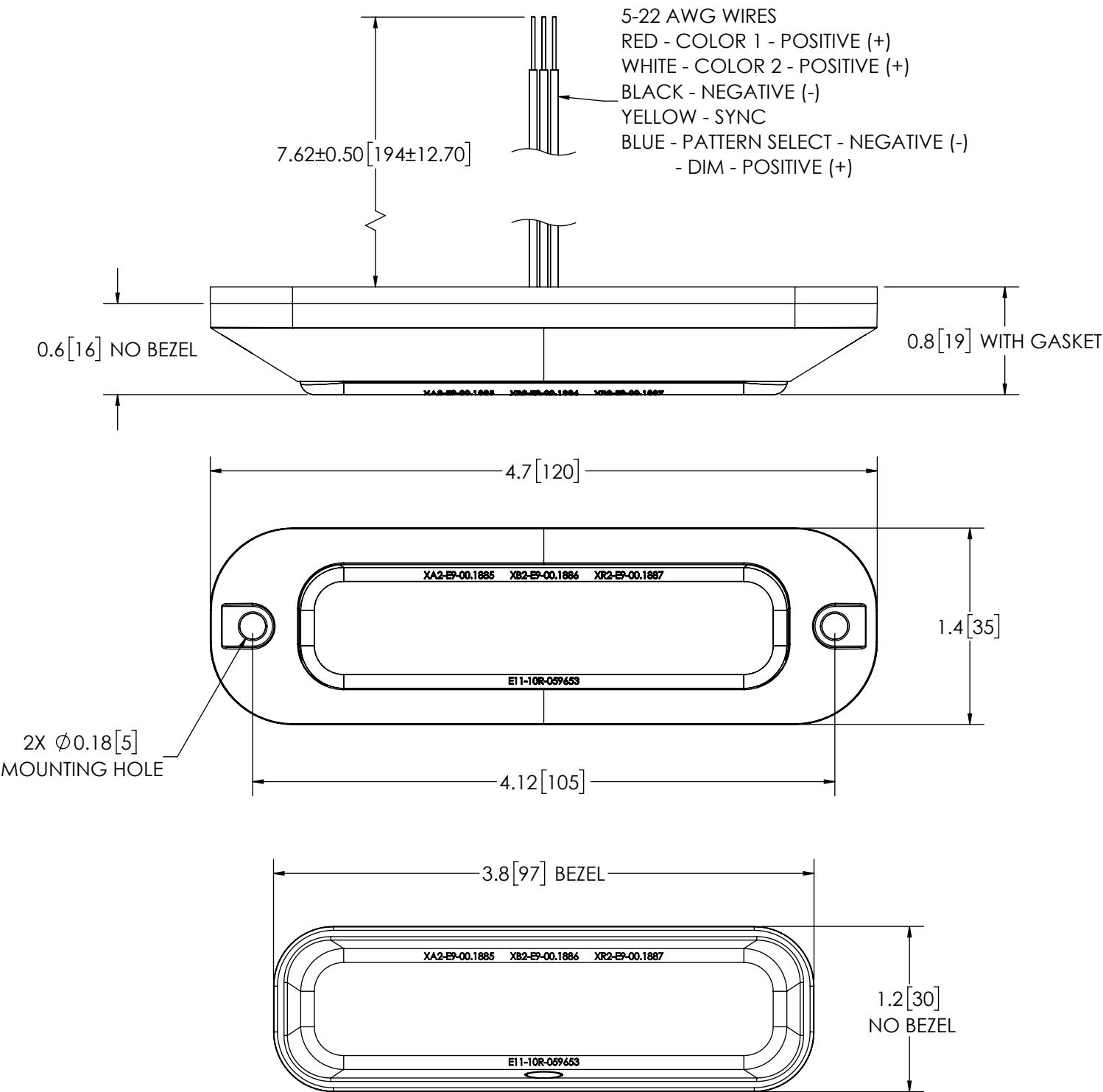


REVISION HISTORY		
REV.	DESCRIPTION	DATE
A	INITIAL RELEASE PER C14031	2018-09-24
B	REVISED PER C14031	2019-01-07
C	REVISED PER HL0162	2020-10-08



### SPECIFICATIONS

- CERTIFICATIONS: IP67;REG10; SEE CHART FOR SAE J595, CA TITLE 13 AND REG65  
 Note: Unique components, accessories, and hardware kits are not typically Included in the Product Certification Test Protocols. Unless otherwise Specified, the Product Certifications referred to herein are predicated upon the base product model configuration.
- FLASH MODE: SINGLE : 75 ± 5 FLASHES PER MINUTE  
 QUINT : 150 ± 5 FLASHES PER MINUTE  
 SINGLE : 120 ± 5 FLASHES PER MINUTE
- VOLTAGE (NOMINAL): 12-24 VDC
- VOLTAGE (EXTREME): 9-32 VDC
- CURRENT (PEAK): SEE CHART
- POWER (MAXIMUM): SEE CHART
- TEMPERATURE RANGE: -40°F (-40°C) TO 149°F (65°C)
- CONNECTION: 5 - 22 AWG WIRES
- MOUNTING: 2 BOLT
- BASE MATERIAL: POLYCARBONATE
- LENS MATERIAL: POLYCARBONATE
- PRODUCT WEIGHT: 0.13 LBS (0.06 Kg)

### FG PRODUCT CHART

FG P/N	COLOR	CURRENT (PEAK) @ 12VDC NOMINAL	POWER (MAX) @ 12VDC NOMINAL	REG 65	SAE J595	CA TITLE 13
XTP4AA	AMB/AMB	0.6 A	7.5 W	CLASS 2	CLASS 1	CLASS B
XTP4AW	AMB/WHT	0.6 A	7.7 W	-	CLASS 1	CLASS B (AMB ONLY)
XTP4BA	BLU/AMB	0.6 A	7.5 W	-	CLASS 1	CLASS B
XTP4BB	BLU/BLU	0.6 A	7.2 W	CLASS 2	CLASS 1	CLASS B
XTP4BW	BLU/WHT	0.6 A	7.7 W	-	CLASS 1	CLASS B (BLU ONLY)
XTP4GG	GRN/GRN	0.6 A	7.7 W	-	-	-
XTP4RA	RED/AMB	0.6 A	7.5 W	-	CLASS 1	CLASS B
XTP4RB	RED/BLU	0.6 A	7.2 W	-	CLASS 1	CLASS B
XTP4RR	RED/RED	0.5 A	5.8 W	CLASS 2	CLASS 1	CLASS B
XTP4RW	RED/WHT	0.6 A	7.7 W	-	CLASS 1	CLASS B (RED ONLY)
XTP4WW	WHT/WHT	0.6 A	7.7 W	-	CLASS 1	-
XTP4MM	MAG/MAG	0.6 A	7.7 W	-	-	-

- NOTES:
- ROHS COMPLIANT
  - DIMENSIONS IN INCHES[MILLIMETERS (FOR REFERENCE)]

PROPRIETARY AND CONFIDENTIAL INFORMATION

THIS DRAWING AND THE DESIGN AND OTHER INFORMATION DISCLOSED HEREIN ARE THE PROPERTY OF ELECTRONIC CONTROLS COMPANY AND/OR ITS ECCO SAFETY GROUP AFFILIATES ("CODE3") AND IS ISSUED IN CONFIDENCE TO RECIPIENT FOR ENGINEERING INFORMATION PURPOSES ONLY. THIS DRAWING AND THE DESIGN AND OTHER INFORMATION DISCLOSED HEREIN MAY NOT BE USED, COPIED, REPRODUCED OR OTHERWISE DISCLOSED IN PART OR IN WHOLE TO THIRD PARTIES OR USED FOR ANY OTHER PURPOSE WITHOUT PRIOR WRITTEN CONSENT. CODE3 RESERVES ALL PATENT, COPYRIGHT, TRADEMARK AND OTHER PROPRIETARY RIGHTS TO THIS DOCUMENT, INCLUDING ALL DESIGN, MANUFACTURING, REPRODUCTION, USE AND SALES RIGHTS THEREOF. THIS DRAWING IS SUBJECT TO RECALL BY CODE3 AT ANY TIME, AND YOUR POSSESSION AND/OR USE CONSTITUTES ACCEPTANCE OF THESE TERMS. ©2018 ELECTRONIC CONTROLS COMPANY

SCALE 1:1		APPROVALS	DATE
CAD GENERATED DRAWING DO NOT MANUALLY UPDATE. MODEL REFERENCED:C		DRAWN BY BTK	2020-09-28
TOLERANCES ARE IN INCHES, AND MILLIMETERS TOLERANCES UNLESS OTHERWISE STATED ARE:		CHECKED ART	2020-09-29
MILLIMETERS DECIMALS XX ± 1.0mm XX.X ± 0.5mm	INCHES DECIMALS X.X ± 0.1 X.XX ± 0.04 X.XXX ± 0.02	MECH. ENG. TMP	2020-09-30
THIRD ANGLE PROJECTION		ELEC. ENG. JCT	2020-09-29
		TEST ENG. BAK	2020-10-02
		SALES. TC	2020-10-07
Electronically Controlled Use Latest Copy			

**CODE 3.**  
 www.code3esg.com  
 Americas (314) 426-2700 | Europe +44 (0)113 239 1111 | Asia Pacific +61 (0)7 32937900

**XTP4 LIGHT HEAD, WITH BLACK BEZEL**

CUSTOMER PART NO. SEE CHART

PRODUCT SERIES: XTP

SIZE: B DWG. NO. XTP4XX

Project: C14031 Date Created: 2018-08-08

SHEET 1 OF 1

REV. C