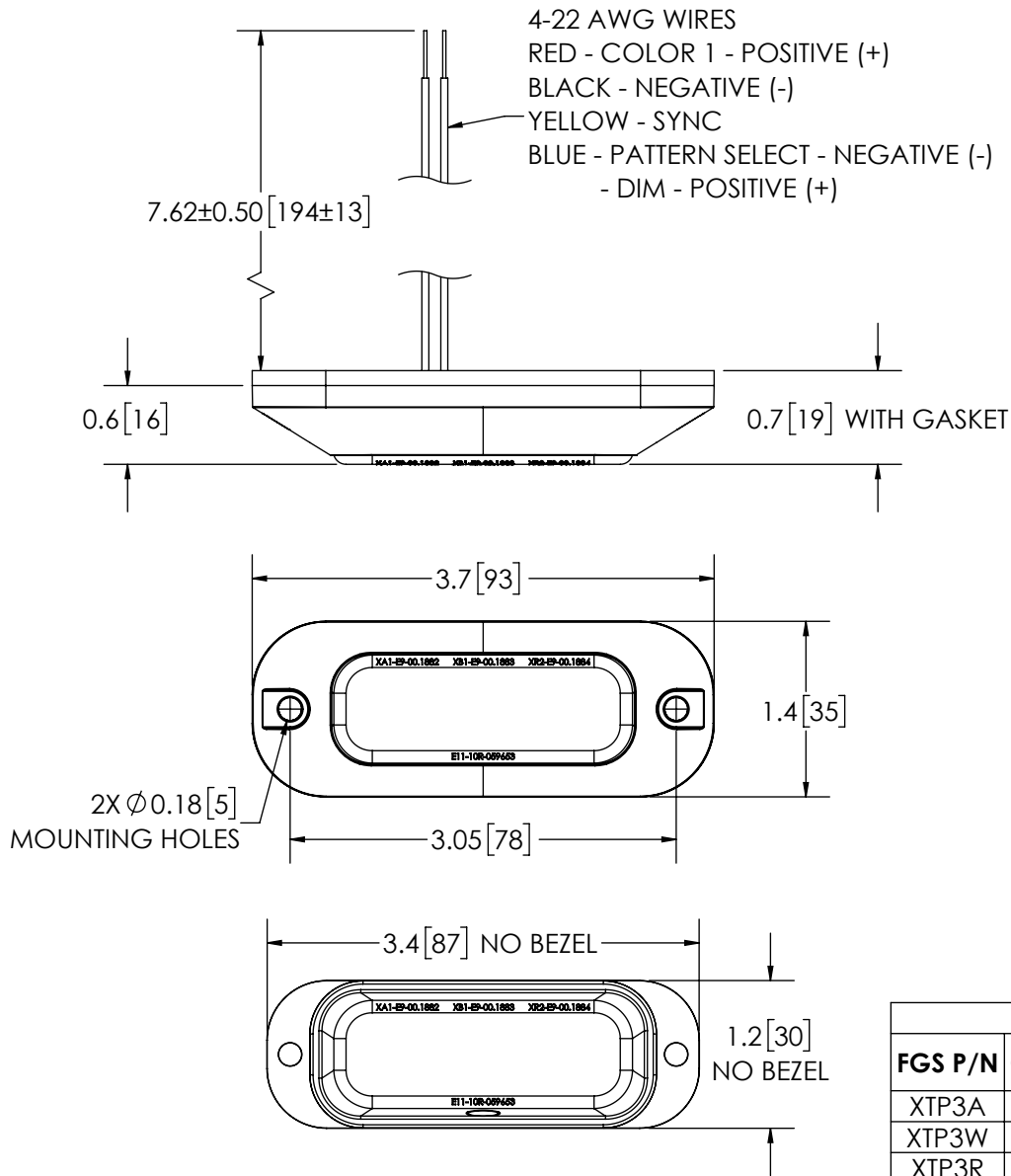


REVISION HISTORY		
REV.	DESCRIPTION	DATE
05	REVISED PER C14031	2018-10-09
A	INITIAL RELEASE PER C14031	2018-10-15
B	REVISED PER C14031	2019-01-04

SPECIFICATIONS

- CERTIFICATIONS: IP67; REG10; SAE J595 (SEE CHART); CA Title 13 (SEE CHART); REG 65 (SEE CHART)
 Note: Unique components, accessories, and hardware kits are not typically included in the Product Certification Test Protocols. Unless otherwise Specified, the Product Certifications referred to herein are predicated upon the base product model configuration.
- FLASH MODE: SINGLE : 75 ± 5 FLASHES PER MINUTE
 QUINT : 150 ± 5 FLASHES PER MINUTE
 SINGLE : 120 ± 5 FLASHES PER MINUTE
- VOLTAGE (NOMINAL): 12-24 VDC
- VOLTAGE (EXTREME): 9-32 VDC
- CURRENT (PEAK): SEE CHART
- POWER (MAXIMUM): SEE CHART
- TEMPERATURE RANGE: -40°F (-40°C) TO 149°F (65°C)
- CONNECTION: 4 - 22 AWG WIRES
- MOUNTING: 2 BOLT
- BASE MATERIAL: POLYCARBONATE
- LENS MATERIAL: POLYCARBONATE
- PRODUCT WEIGHT: 0.10 LBS (0.043 Kg)



FGS PRODUCT CHART						
FGS P/N	COLOR	CURRENT (PEAK) @ 12VDC NOMINAL	POWER (MAX) @ 12VDC NOMINAL	REG65	SAEJ595	CA TITLE 13
XTP3A	AMBER	0.30 A	5.4 W	CLASS 1	CLASS 1	CLASS B
XTP3W	WHITE	0.44 A	5.6 W	-	CLASS 1	-
XTP3R	RED	0.30 A	4.1 W	CLASS 2	CLASS 1	CLASS B
XTP3G	GREEN	0.44 A	5.6 W	-	-	-
XTP3B	BLUE	0.40 A	5.1 W	CLASS 1	CLASS 1	CLASS B

- NOTES:
 1. ROHS COMPLIANT
 2. DIMENSIONS IN INCHES [MILLIMETERS (FOR REFERENCE)]

PROPRIETARY AND CONFIDENTIAL INFORMATION

THIS DRAWING AND THE DESIGN AND OTHER INFORMATION DISCLOSED HEREIN ARE THE PROPERTY OF ELECTRONIC CONTROLS COMPANY AND/OR ITS ECCO SAFETY GROUP AFFILIATES ("CODE3") AND IS ISSUED IN CONFIDENCE TO RECIPIENT FOR ENGINEERING INFORMATION PURPOSES ONLY. THIS DRAWING AND THE DESIGN AND OTHER INFORMATION DISCLOSED HEREIN MAY NOT BE USED, COPIED, REPRODUCED OR OTHERWISE DISCLOSED IN PART OR IN WHOLE TO THIRD PARTIES OR USED FOR ANY OTHER PURPOSE WITHOUT PRIOR CODE3 WRITTEN CONSENT. CODE3 RESERVES ALL PATENT, COPYRIGHT, TRADEMARK AND OTHER PROPRIETARY RIGHTS TO THIS DOCUMENT, INCLUDING ALL DESIGN, MANUFACTURING, REPRODUCTION, USE AND SALES RIGHTS THERETO. THIS DRAWING IS SUBJECT TO RECALL BY CODE3 AT ANY TIME, AND YOUR POSSESSION AND/OR USE CONSTITUTES ACCEPTANCE OF THESE TERMS. ©2018 ELECTRONIC CONTROLS COMPANY

SCALE 2:3		APPROVALS		DATE	
CAD GENERATED DRAWING DO NOT MANUALLY UPDATE. MODEL REFERENCED:A+		DRAWN BY ABD		2018-12-27	
TOLERANCES ARE IN INCHES AND MILLIMETERS TOLERANCES UNLESS OTHERWISE STATED ARE:		CHECKED ART		2019-01-02	
MILLIMETERS DECIMALS XX. ± 1.0mm XX.X ± 0.5mm		INCHES DECIMALS X.X ± 0.1 X.XX ± 0.04 X.XXX ± 0.02		ANGLES ± 0.5° FRACTIONS ± 1/64	
THIRD ANGLE PROJECTION		MECH. ENG. NMT		2019-01-02	
		ELEC. ENG.			
		TEST ENG. BAK		2019-01-04	
		SALES. MD		2019-01-04	

CODE 3.
 www.code3esg.com
 Americas (314) 426-2700 | Europe +44 (0)113 239 1111 | Asia Pacific +61 (0)7 32937900

XTP3 LIGHT HEAD, SINGLE COLOR, WITH BLACK BEZEL

CUSTOMER PART NO. SEE CHART
 PRODUCT SERIES: XTP

SIZE: A DWG. NO. XTP3X REV. B
 SHEET 1 OF 1 Project: C14031 Date Created: 2018-08-01

Electronically Controlled Use Latest Copy