



# Seats

## VLD1649

### Forklift truck seat

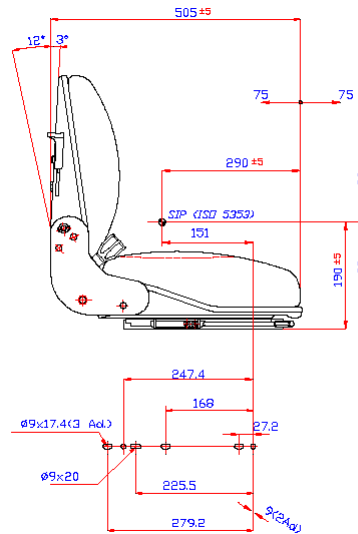
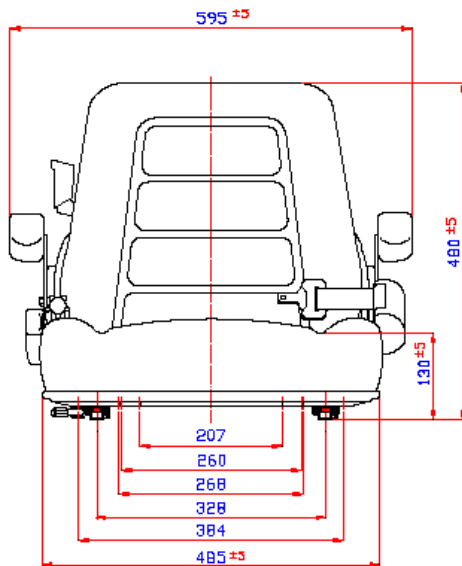
Publication no. VLD1649  
Publication date 5 December 2003

The Vapormatic Co Ltd., P.O. Box 58, Kestrel Way, Sowton Industrial Estate, Exeter, EX2 7NB  
Telephone: 01392 435461 Facsimile: 01392 438445 Email: sales@vapormatic.com



## Features

- Slide track with 150mm fore / aft travel
- 40mm suspension travel
- 3 stage weight adjustment 60 to 120Kg.
- Retractable seat belt fitted
- Black vinyl covering
- Adjustable backrest angle, 3 degrees forward and 12 degrees backward.
- Operator presence switch



Original equipment manufacturers names and part number are quoted for reference purposes only and are not intended to infer that our replacement parts are used as original equipment

Registered in England, no 538655 The Vapormatic Company Limited.