



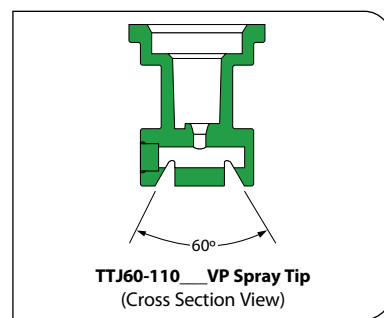
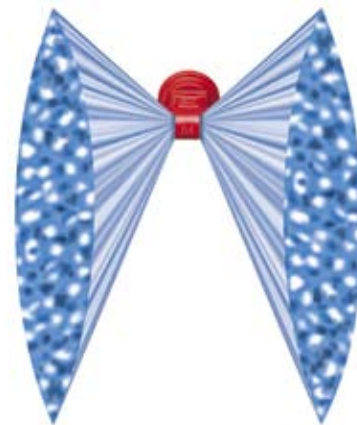
Turbo TwinJet® Twin Flat Spray Tips

Typical Applications:

See selection guide on pages 2 and 6 for recommended typical applications for Turbo TwinJet tips.

Features:

- Dual outlet design produces two 110° flat fan spray patterns using the patented technology from the Turbo TeeJet® nozzle. The angle between each spray pattern is 60° forward and back.
- Best suited for broadcast spraying where superior leaf coverage and canopy penetration is important.
- Droplet size range is slightly larger than for the same capacity Turbo TeeJet nozzle providing drift-reducing properties with increased canopy coverage and penetration.
- Molded polymer for excellent chemical and wear resistance.
- Available in six VisiFlo® color-coded capacities with pressure ranges from 20–90 PSI (1.5–6 bar).
- Ideal for use with automatic sprayer controllers.
- Automatic alignment when used with 25612*-NYR Quick TeeJet® cap and gasket. See page 63 for additional information.



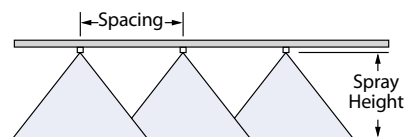
Icon	bar	DROPSIZE	CAPACITY ONE NOZZLE IN l/min	l/ha 50cm												
				4 km/h	5 km/h	6 km/h	7 km/h	8 km/h	10 km/h	12 km/h	16 km/h	18 km/h	20 km/h	25 km/h	30 km/h	35 km/h
TTJ60-11002 (100)	1.5	C	0.56	168	134	112	96.0	84.0	67.2	56.0	42.0	37.3	33.6	26.9	22.4	19.2
	2.0	C	0.65	195	156	130	111	97.5	78.0	65.0	48.8	43.3	39.0	31.2	26.0	22.3
	3.0	C	0.79	237	190	158	135	119	94.8	79.0	59.3	52.7	47.4	37.9	31.6	27.1
	4.0	M	0.91	273	218	182	156	137	109	91.0	68.3	60.7	54.6	43.7	36.4	31.2
	6.0	M	1.02	306	245	204	175	153	122	102	76.5	68.0	61.2	49.0	40.8	35.0
TTJ60-110025 (100)	1.5	VC	0.70	210	168	140	120	105	84.0	70.0	52.5	46.7	42.0	33.6	28.0	24.0
	2.0	C	0.81	243	194	162	139	122	97.2	81.0	60.8	54.0	48.6	38.9	32.4	27.8
	3.0	C	0.99	297	238	198	170	149	119	99.0	74.3	66.0	59.4	47.5	39.6	33.9
	4.0	C	1.14	342	274	228	195	171	137	114	85.5	76.0	68.4	54.7	45.6	39.1
	5.0	M	1.28	384	307	256	219	192	154	128	96.0	85.3	76.8	61.4	51.2	43.9
TTJ60-11003 (100)	1.5	VC	0.83	249	199	166	142	125	99.6	83.0	62.3	55.3	49.8	39.8	33.2	28.5
	2.0	C	0.96	288	230	192	165	144	115	96.0	72.0	64.0	57.6	46.1	38.4	32.9
	3.0	C	1.18	354	283	236	202	177	142	118	88.5	78.7	70.8	56.6	47.2	40.5
	4.0	C	1.36	408	326	272	233	204	163	136	102	90.7	81.6	65.3	54.4	46.6
	5.0	C	1.52	456	365	304	261	228	182	152	114	101	91.2	73.0	60.8	52.1
TTJ60-11004 (50)	1.5	VC	1.12	336	269	224	192	168	134	112	84.0	74.7	67.2	53.8	44.8	38.4
	2.0	C	1.29	387	310	258	221	194	155	129	96.8	86.0	77.4	61.9	51.6	44.2
	3.0	C	1.58	474	379	316	271	237	190	158	119	105	94.8	75.8	63.2	54.2
	4.0	C	1.82	546	437	364	312	273	218	182	137	121	109	87.4	72.8	62.4
	6.0	C	2.04	612	490	408	350	306	245	204	153	136	122	97.9	81.6	69.9
TTJ60-11005 (50)	1.5	M	2.23	669	535	446	382	335	268	223	167	149	134	107	89.2	76.5
	2.0	VC	1.39	417	334	278	238	209	167	139	104	92.7	83.4	66.7	55.6	47.7
	3.0	C	1.61	483	386	322	276	242	193	161	121	107	96.6	77.3	64.4	55.2
	4.0	C	1.97	591	473	394	338	296	236	197	148	131	118	94.6	78.8	67.5
	6.0	C	2.27	681	545	454	389	341	272	227	170	151	136	109	90.8	77.8
TTJ60-11006 (50)	1.5	C	2.54	762	610	508	435	381	305	254	191	169	152	122	102	87.1
	2.0	C	2.79	837	670	558	478	419	335	279	209	186	167	134	112	95.7
	3.0	XC	1.68	504	403	336	288	252	202	168	126	112	101	80.6	67.2	57.6
	4.0	VC	1.94	582	466	388	333	291	233	194	146	129	116	93.1	77.6	66.5
	6.0	C	2.37	711	569	474	406	356	284	237	178	158	142	114	94.8	81.3

Note: Always double check your application rates. Tabulations are based on spraying water at 70°F (21°C).

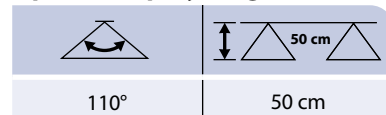


CONTACT PRODUCT	SYSTEMIC PRODUCT	DRIFT MANAGEMENT
EXCELLENT	EXCELLENT	VERY GOOD
VERY GOOD*	EXCELLENT*	EXCELLENT*

*At pressures below 30 PSI (2.0 bar)



Optimum Spray Height



See pages 173–187 for drop size classification, useful formulas and information.

How to order:

Specify tip number.

Example:

TTJ60-11004VP – Polymer with VisiFlo® color-coding