

Comatrol

RESPONSIVENESS IN MOTION

Member of the Danfoss Group



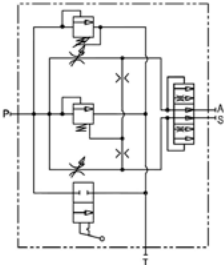
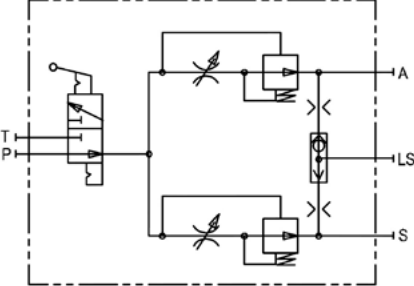
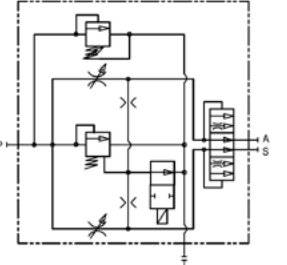
Spreader Valve HICs

www.comatrol.com

Spreader Valves SPR-2FFL12, SPR-2FFLC12 & SPR-2FFLW86



SP - Spreader Valves
 Quick Reference

	SCHEMATIC	MODEL	PRESSURE	FLOW*	WEIGHT
Page 3	 <p style="text-align: center;">Spreader Valve, Dual Flow Regulation, Compensated, Manual Dump, Gear Pump Circuit</p>	SPR-2FFL12	138 bar [2000 psi]	114 l/m [30 US g/m]	2.62 kg [5.90 lb]
Page 5	 <p style="text-align: center;">Spreader Valve, Dual Flow Regulation, Compensated, Manual Dump, Piston Pump Circuit</p>	SPR-2FFLC12	207 bar [3000 psi]	114 l/m [30 US g/m]	3.08 kg [6.79 lb]
Page 7	 <p style="text-align: center;">Spreader Valve, Dual Flow Regulation, Compensated, Solenoid Dump, Gear Pump Circuit</p>	SPR-2FFLW86	138 bar [2000 psi]	114 l/m [30 US g/m]	3.08 kg [6.79 lb]

OPERATION

This is a compensated spreader valve with dual flow regulation and manual dump for an open circuit gear pump application. This is a direct replacement to the 2FFL12.

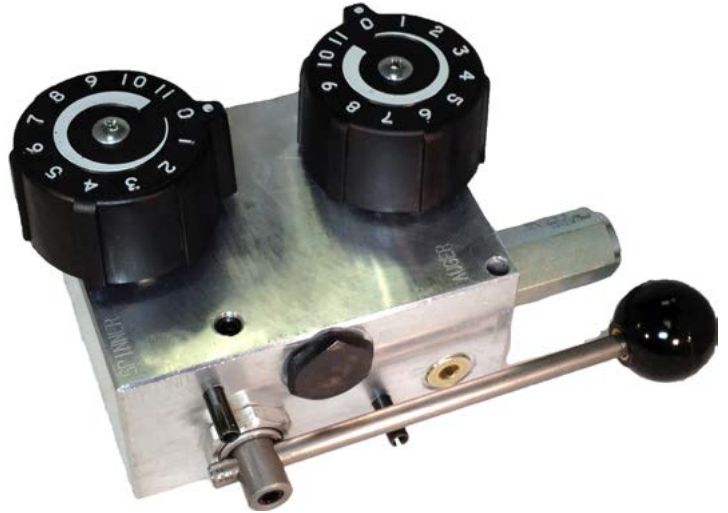
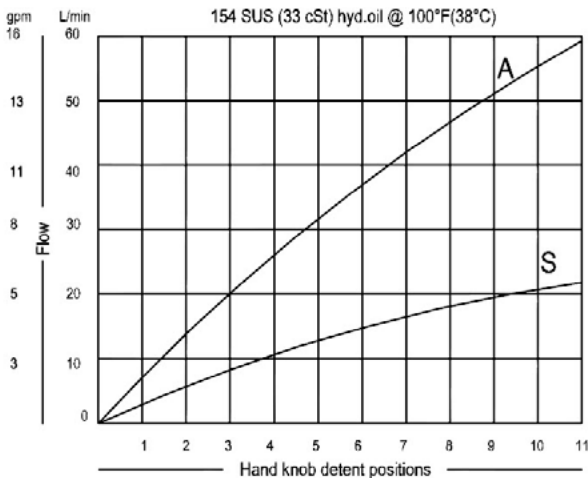
APPLICATIONS

The valve maintains constant regulated flow to two actuators even with changes in load pressure or input flow. The pressure-compensated regulating section bypasses excess pump flow to tank. The pump operates at the highest load pressure plus control section pressure drop. The tank or bypass port must be referenced directly to tank and not to a working line. The direct-acting relief valve senses system pressure and protects the pump from shock or overload pressure surges. The built-in lever-operated two-way valve dumps system flow to tank, allowing on/off control of both regulated flows without changing either flow setting. In the unload condition, an 8.6 bar [125 psi] check valve may be required in either the A port, the S port or both ports to reduce motor movement potential.

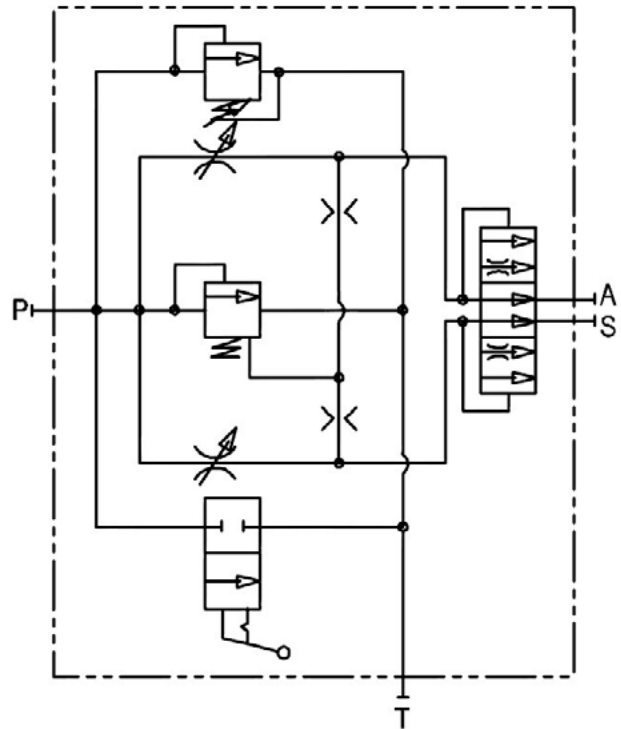
SPECIFICATIONS

Rated Pressure	138 bar [2000 psi]
Maximum Rated Flow at 7 bar [100 psi]	114 l/m [30 US gal/min]
Weight	2.62 kg [5.90 lb]

PERFORMANCE CURVE

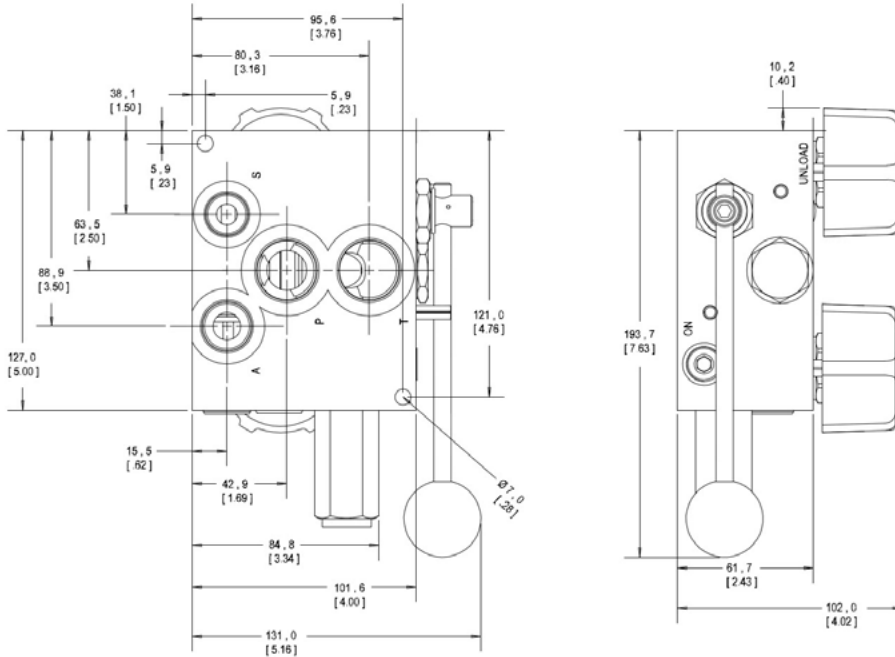


SCHEMATIC

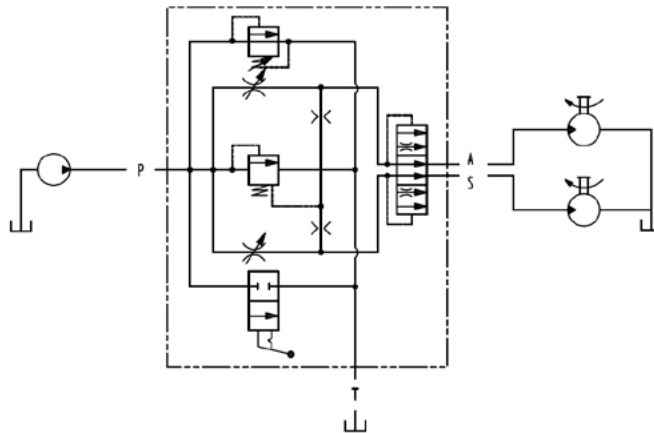


SP - Spreader Valves
 SPR-2FFL12

DIMENSIONS



EXAMPLE CIRCUIT



ORDERING INFORMATION

SPR - 2FFL12 - D - 12S - 7/15 - V

- | | | | |
|------------------------------|---|--|---|
| <p>Spreader Valve</p> | <p>Adjustment Option:
 D= Detented hand knob</p> <p>Knob Kit 158B8962</p> <p>Seal Kit (for 2 adjust assemblies) 158B8858</p> <p>Lever Kit 158B8972</p> | <p>Port Size:</p> <p>12S =
 12 SAE (P, T)
 10 SAE (A)
 8 SAE (S)</p> <p>Relief Valve: CP200-1</p> | <p>Seals:
 V = Viton</p> <p>Regulated Flow Range:</p> <p><u>7/15</u>
 S (Spinner) 7 = 0 - 26 LPM (0 - 7 GPM)
 A (Auger) 15 = 0 - 57 LPM (0 - 15 GPM)</p> <p><u>10/30</u>
 S (Spinner) 10 = 0 - 38 LPM (0 - 10 GPM)
 A (Auger) 30 = 0 - 114 LPM (0 - 30 GPM)</p> |
|------------------------------|---|--|---|

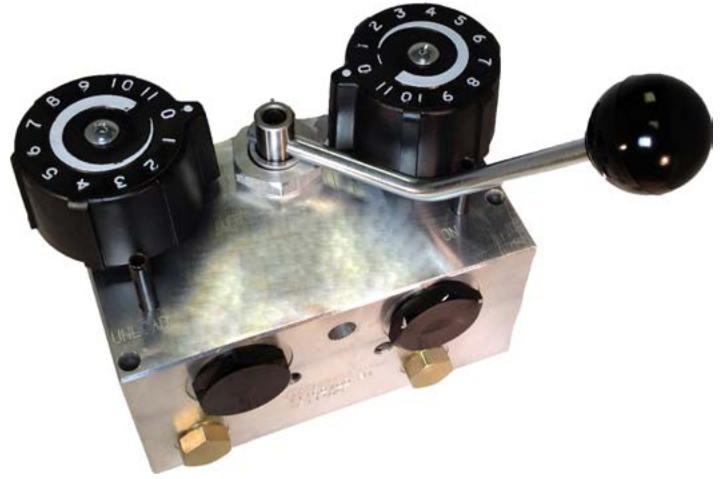
SP - Spreader Valves
SPR-2FFL12

OPERATION

This is a compensated spreader valve with dual flow regulation and manual dump for an open circuit piston pump application. This is a direct replacement to the 2FFLC12

APPLICATIONS

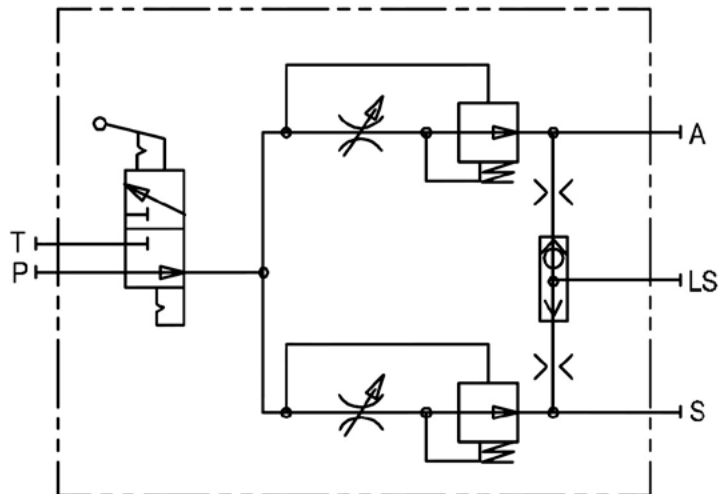
For use with variable displacement pressure compensated pumps in load sensing circuits that require two pressure compensated flow controls. The integral lever allows on/off pump control. This valve is designed for speed control of two actuators which must have individual flow settings. The LS port senses the load pressure on both actuators to signal the pump to increase or decrease the supply flow. With the lever in the unload position, no load is sensed and the pump de-strokes.



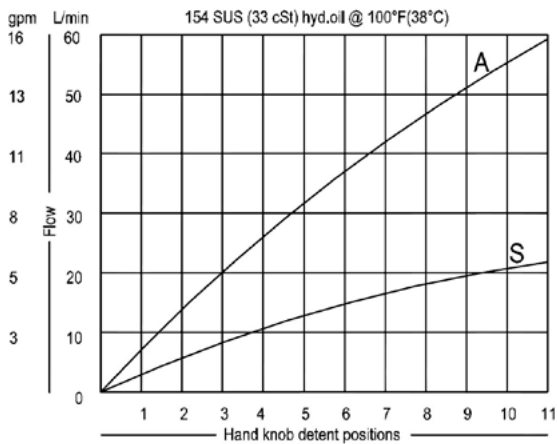
SPECIFICATIONS

Rated Pressure	207 bar [3000 psi]
Maximum Rated Flow at 7 bar [100 psi]	114 l/m [30 US gal/min]
Weight	3.08 kg [6.79 lb]

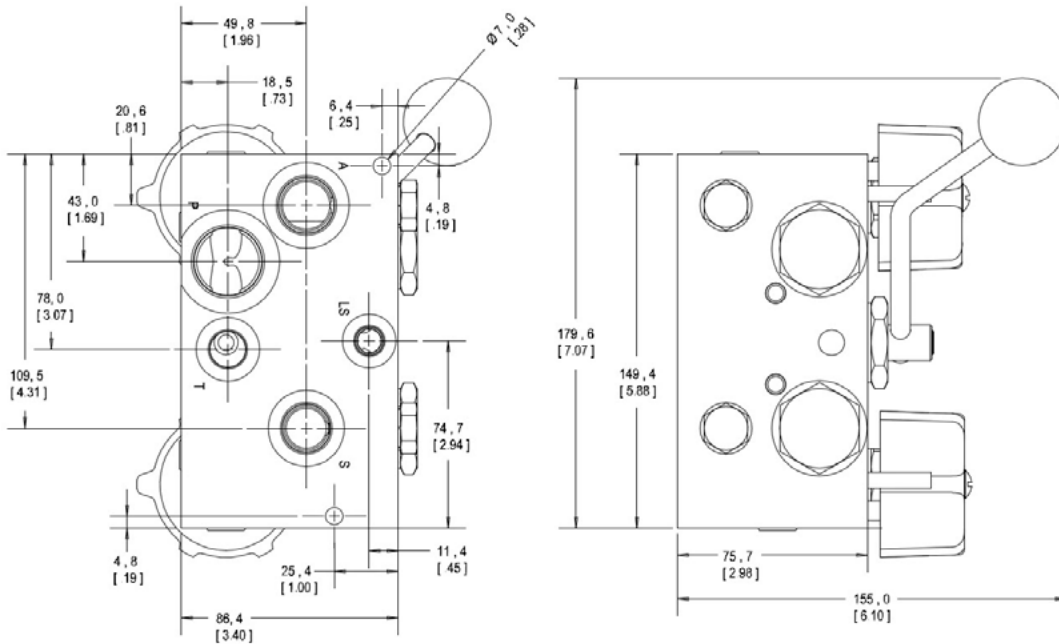
SCHEMATIC



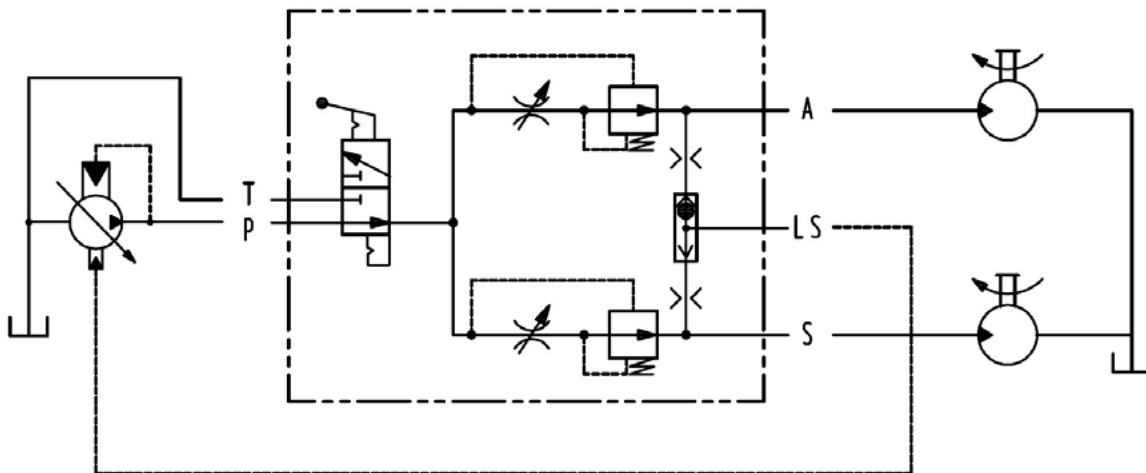
PERFORMANCE CURVE



DIMENSIONS



EXAMPLE CIRCUIT



ORDERING INFORMATION

SPR-2FFLC12 - D - 12S - 7/15 - V

<p>Spreader Valve</p>	<p>Adjustment Option: D= Detented hand knob Knob Kit 158B8962 Seal Kit (for 2 adjust assemblies) 158B8858 Lever Kit 11109844</p>	<p>Port Size: 12S = 12 SAE (P) 10 SAE (A) 8 SAE (S) 6 SAE (T) 4 SAE (LS)</p>	<p>Seals: V = Viton</p> <p>Regulated Flow Range: S (Spinner) 7 = 0 - 26 LPM (0 - 7 GPM) A (Auger) 15 = 0 - 57 LPM (0 - 15 GPM)</p>
------------------------------	---	---	---

OPERATION

This is a compensated spreader valve with dual flow regulation and solenoid dump for an open circuit gear pump application. This is a direct replacement to the 2FFLW86.

APPLICATIONS

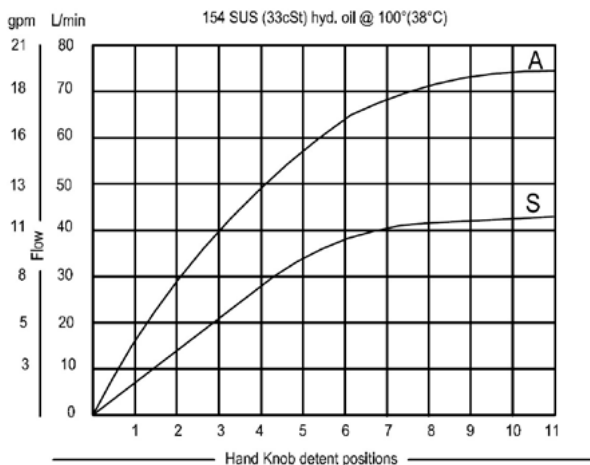
For use with fixed displacement pumps in circuits that require two pressure compensated flow controls, solenoid valve for on-off dump and pump relief. The valve maintains constant regulated flow to two actuators even with changes in load pressure or input flow. The pressure-compensated regulating section bypasses excess pump flow to tank. The pump operates at the highest load pressure plus control section pressure drop. The tank or bypass port must be referenced directly to tank and not to a working line. The direct acting relief valve senses system pressure and protects the pump from shock or overload pressure surges. The built-in, solenoid-operated, two-way valve unloads system flow to tank. This allows on-off control of both regulated flows without changing either flow setting. In the unload condition an 8.6 bar [125 psi] check valve may be required in either the A port, the S port or both ports to reduce the potential of motor movement.



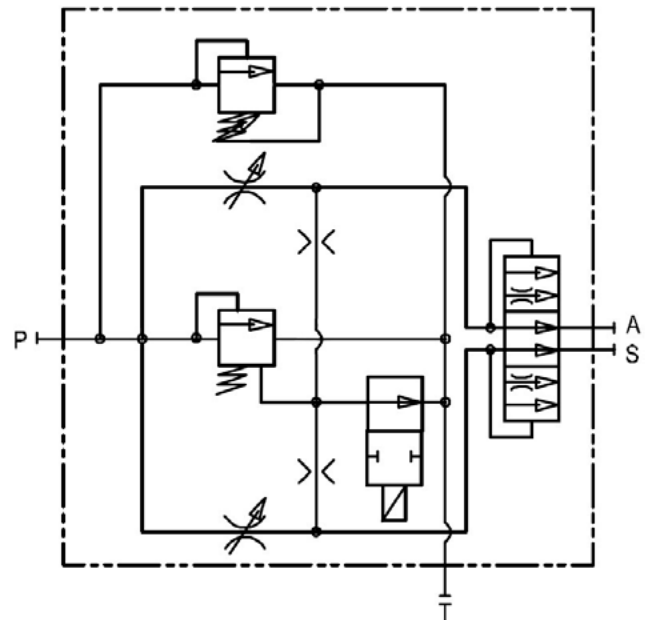
SPECIFICATIONS

Rated Pressure	138 bar [2000 psi]
Maximum Rated Flow at 7 bar [100 psi]	114 l/m [30 US gal/min]
Weight including coil	3.08 kg [6.79 lbs]
Robust Coil	R13 16 Watt ("FL" Connector) Robust Nut P/N 173800539 (no coil O-rings needed)

PERFORMANCE CURVE

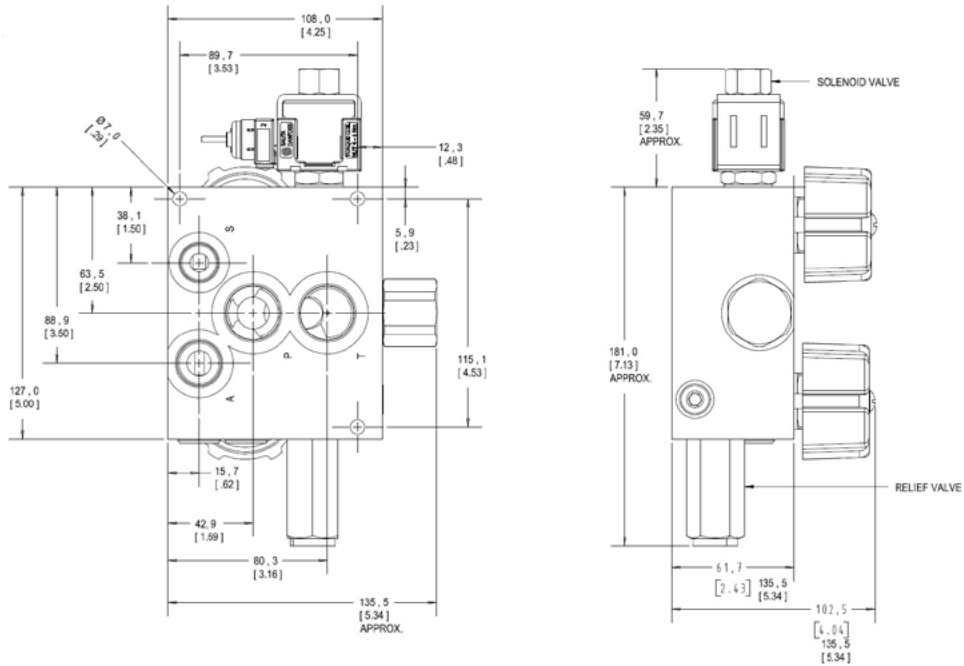


SCHEMATIC

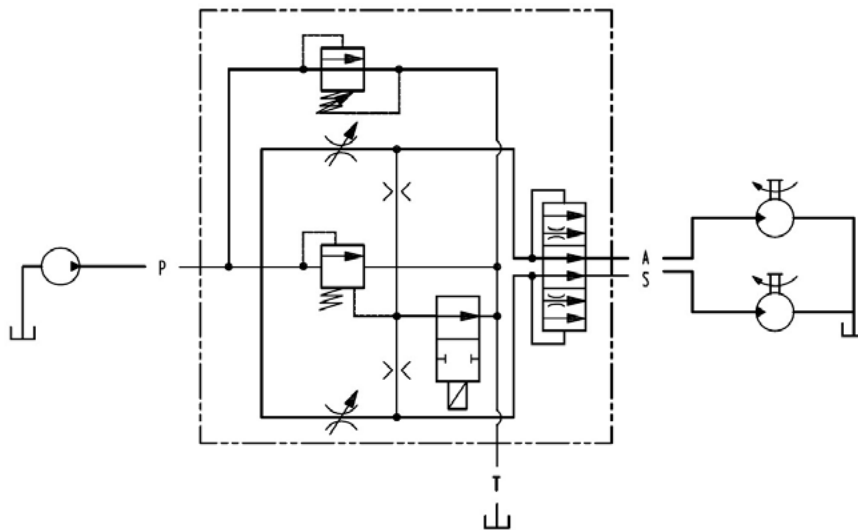


SP - Spreader Valves
 SPR-2FFLW86

DIMENSIONS



EXAMPLE CIRCUIT



ORDERING INFORMATION

SPR-2FFLW86 - D - 12S - 7/15 - V

Spreader Valve

Adjustment Option:

D= Detented hand knob

Knob Kit 158B8962

Seal Kit (knob) 158B8858

Solenoid valve: SVP08-NO

Port Size:

12S = 12 SAE (P),
 10 SAE (A), 8 SAE (S)

Relief Valve: CP200-1

Seals:

V = Viton

Regulated Flow Range:

S (Spinner) 7 = 0 - 26 LPM (0 - 7 GPM)

10 = 0 - 38 LPM (0 - 10 GPM)

A (Auger) 15 = 0 - 57 LPM (0 - 15 GPM)