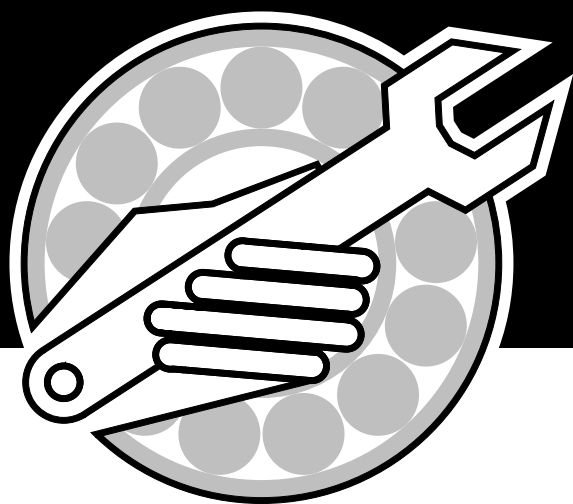




Parts Manual



1400 Hay Hiker

IMPORTANT:

ALL ITEMS ARE IDENTIFIED WITH A PART NUMBER. Some of the smaller parts such as bolts, nuts, washers, etc. are not all shown, however, the quantity used are listed in the text for that section which they fit into. That particular quantity is always the quantity required for one complete assembly.

Smaller parts, which are welded together to construct a larger part, are not to be ordered as individual pieces, unless they have a part number to identify them.

Contact your nearest dealer for genuine repair parts. Dealers carry ample stock and are backed by the manufacturer and regional associations.

MORRIS PAINT

Spray Cans:

Part Number	Description
W-4647	Red MORRIS Spray Can
W-4648	Blue MORRIS Spray Can
N31087	Sky White MORRIS Spray Can

Litre Cans:

Part Number	Description
Z-10	Red MORRIS Paint/Litre
Z-11	Blue MORRIS Paint/Litre

Table of Contents

Section 1:	
Frame & Hitch	1-1
Frame & Hitch	1-2
Hitch Jack	1-4
Section 2:	
Push Bar, Fork & Drive	2-1
Push Bar	2-2
Fork	2-4
Drive	2-6
Section 3:	
Axle & Wheels	3-1
Wheels - 29,000 GVW Axles	3-2
Wheels - 37,000 GVW Axles	3-3
Axles	3-4
Section 4:	
Hydraulics	4-1
Push Bar Tilt	4-2
Fork/Bed Tilt	4-4
Cylinders	4-6
Line Lock Valves	4-8
Section 5:	
Lighting and Safety Signs	5-1
Marking Lights	5-2
Safety Signs	5-4
Index	Index-i

Table of Contents

Notes

Section 1: Frame & Hitch

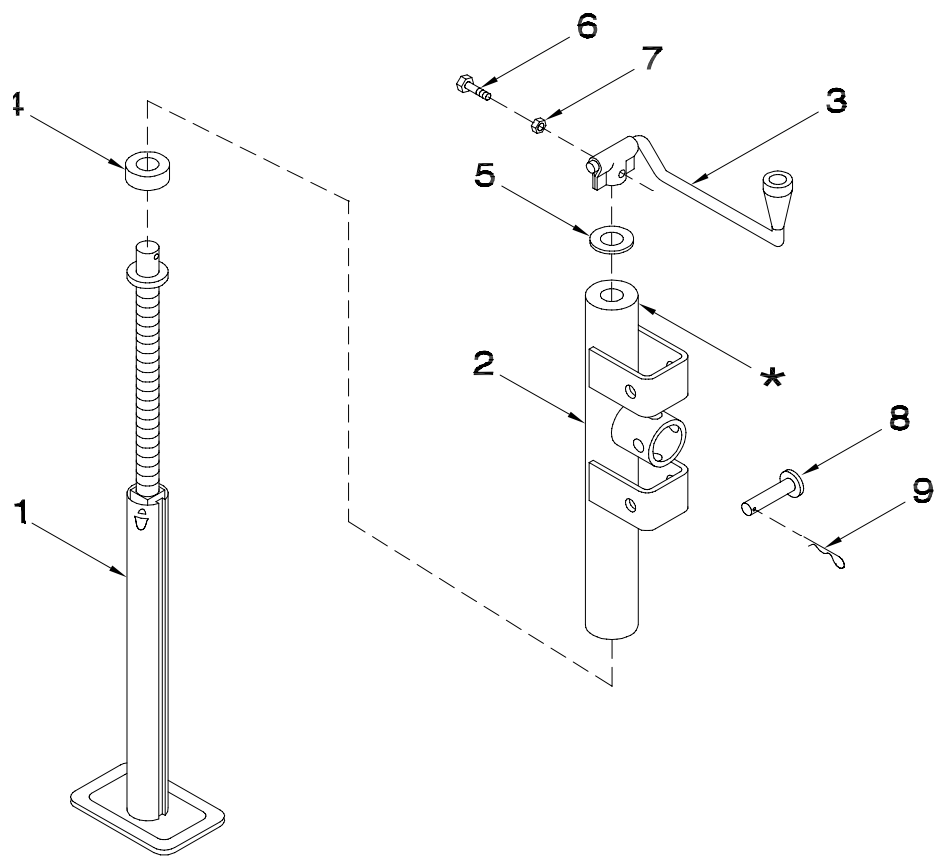
Section Contents

Frame & Hitch	1-2
Hitch Jack.....	1-4

Frame & Hitch - 1400 Hay Hiker

Item	Part No.	Description	Qty
1	K24180	Main Frame	1
2	K24035	Hitch	1
3	K24190	Rail - Left Front Bale Stop	1
4	K24187	Rail - Left Middle	1
5	K25790	Rail - Left Rear	1
6	K24192	Rail - Right Front	1
7	K25797	Rail - Right Rear	1
8	K24299	Bail Divider	1
9	K24206	Clevis	1
9a	K24042	Clevis Double Strap (optional)	1
10	N19866	Hitch Jack - 7000 lb Capacity	1
11	C18761	Safety Chain - 40,000 lb	1
12	C18758	Support - Safety Chain	1
13	W-7	Hose Holder	2
14	K24589	Pin - 1 1/4 x 6 3/8 UL	2
15	C-1429	Pin - 1 x 3 3/8 UL	3
16	K24199	Pin - 3/4 x 3 3/4 UL	10
17	D12671	Pin - 3/4 x 2 7/8 UL	13
18	H10462	Pin - 5/8 x 3 5/8 UL	2
19	D-5558	Hex Bolt - 3/4 x 6	2
20	D-5519	Hex Bolt - 1/2 x 3 1/4	1
21	W-488	Hex Bolt - 1/2 x 2	1
22	W-478	Hex Bolt - 3/8 x 2	1
23	W-527	Lockwasher - 3/4	2
24	W-525	Lockwasher - 1/2	1
25	C-333	Flatwasher - 1/2	2
26	W-518	Hex Nut - 3/4	2
27	F-3405	Locknut - 1/2	1
28	W21476	Locknut - 3/8 (2 Way)	1
29	M-3388	Hex Nut - 1/2	1
30	D-5244	Spiral Pin - 1/4 x 2	2
31	D-5240	Hair Pin - #6 - 3/16 x 3 1/4	4
32	BW-11	Hair Pin - #8 - 3/16 x 3 3/4	3
33	W-131	Hair Pin - #9 - 5/32 x 3 5/16	10
34	W-533	Cotter Pin - 3/16 x 2	15
35	K24088	Actuator	1
36	K24092	Deflector Lock	1
37	K24160	Spring - Deflector Lock	1
38	C-805	Spring - Actuator - 1 3/8 OD x 14 3/4 Lg	1
39	K24093	Cable - 3/16 Dia x 96 Lg	1
40	D-5063	Thimble	2
41	S-1240	Cable Clamp - 3/16	2
42	S-1175	Hex Bolt - 3/4 x 4 1/2	1
43	W-488	Hex Bolt - 1/2 x 2	1
44	W-1854	Hex Bolt - 3/8 x 3	2
45	D-5275	Locknut - 3/4 Nylon Insert	1
46	M-3388	Locknut - 3/8 Unitorque	2
47	W-539	Flatwasher - 1/2	3
48	W-529	Cotter Pin - 1/8 x 1 1/4	3
49	C-3902	Decal - "MORRIS"	2
50	K24053	Decal - "1400 HAYHIKER"	2
51	N34477	Reflector - YELLOW	12
52	K44733	Indicator - Full Bed	1
53	K24903	Activator - Full Bed	1
54	W-1663	Spring	1
55	K24894	1/16 aircraft cable x 38' Lg	1
56	C-333	Flatwasher - 1/2	2
57	K42389	Oval Sleeve - 0.062" DIA	2
58	K42390	Thimble - Stainless	2
59	K28561	Decal - Chain Tensioner Spring (Not Shown)	1

Frame & Hitch Hitch Jack



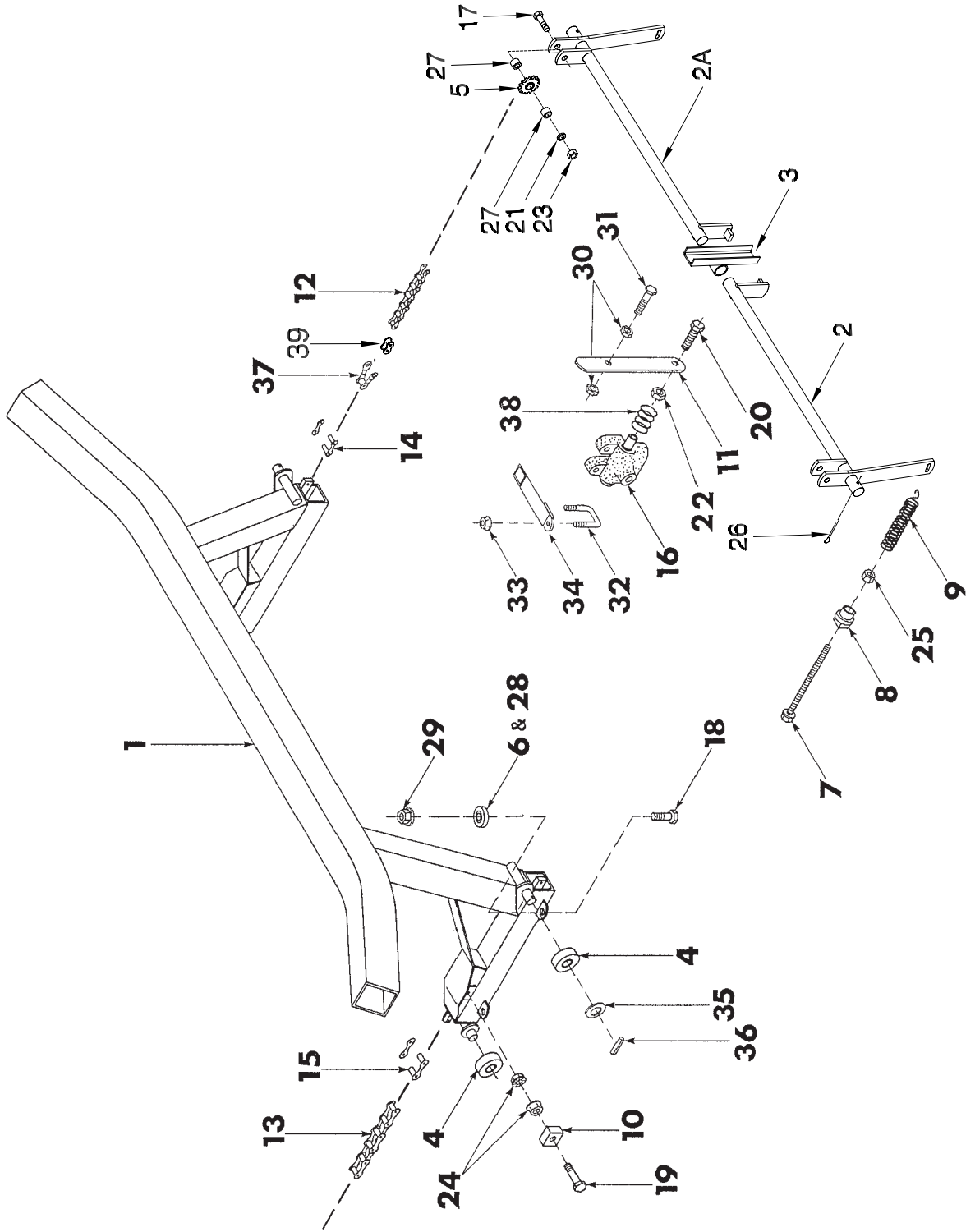
Item	Part No.	Description	Qty
1	N19965	Inner Tube Screw Assembly	1
2	N19966	Outer Tube	1
3	N19967	Handle Assembly	1
4	N19968	Thrust Bearing	1
5	N19969	Flatwasher	1
6	W-473	Hex Bolt - 5/16 x 1 1/2	1
7	D-5272	Locknut - 5/16	1
8	H10462	Button Head Pin	2
9	W-131	Hair Pin - #9 x 3 5/16 Lg	2
	N19866	Jack Assembly (Includes All Above Items)	
		*NOTE: Jack Can Be Identified By a Stamp (7000) Near the Top of the Outer Tube	

Section 2: Push Bar, Fork & Drive

Section Contents

Push Bar	2-2
Fork	2-4
Drive	2-6

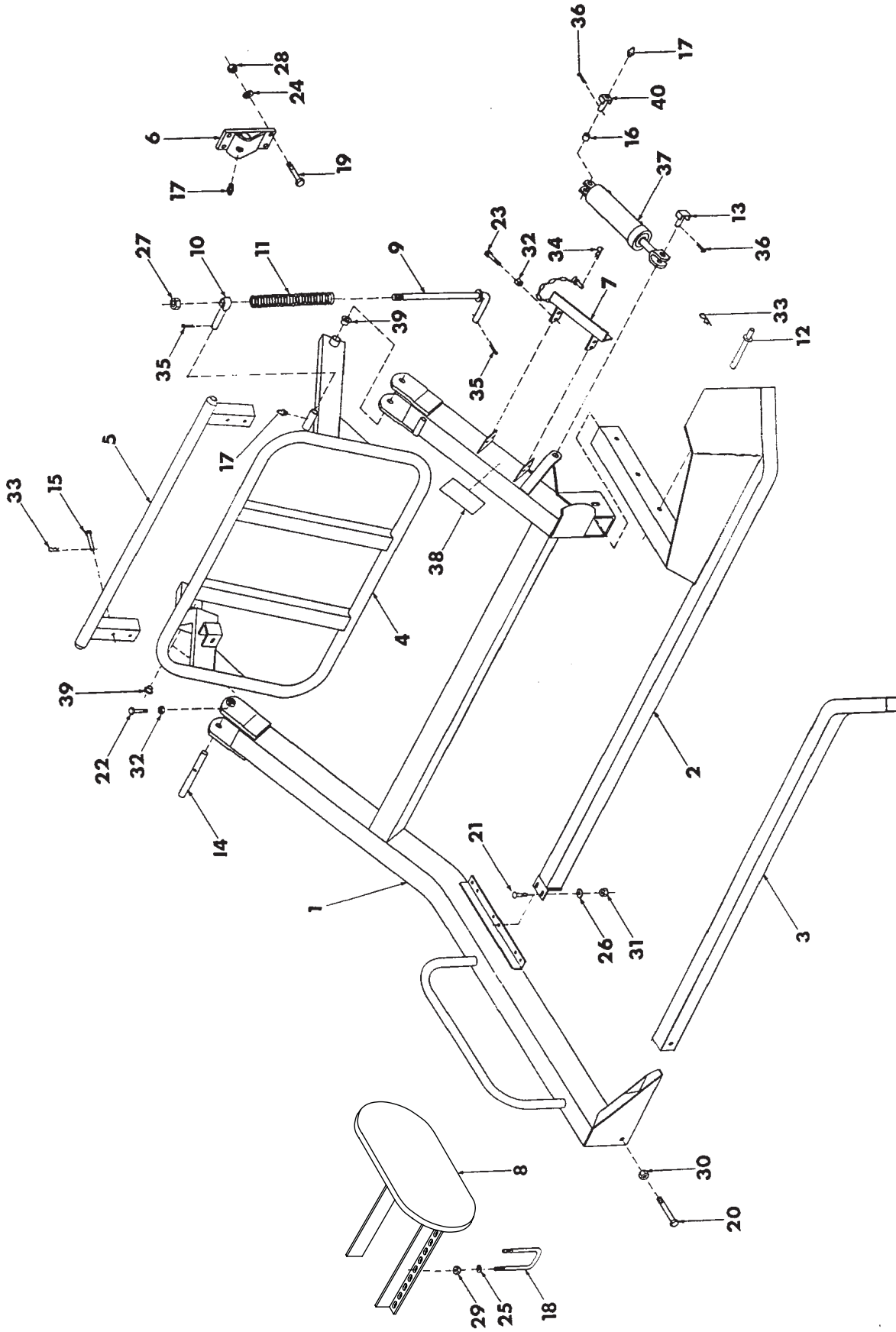
Push Bar, Fork & Drive Push Bar



Push Bar, Fork & Drive - 1400 Hay Hiker

Item	Part No.	Description	Qty
1	K24010	Pushbar	1
2	K33900	Chain Tightener Arm (Right)	1
2A	K33901	Chain Tightener Arm (Left)	1
3	K24288	Lever Valve	1
4	K27500	Roller Bearing Assembly (1994 to Present) (Oilite Bushing #K27503)	4
	K24983	Roller Bearing (Prior to 1994)	4
	K28512	Roller Bearing Assembly - Upgrade - (Prior to Serial #1400001445)	4
5	K24081	Idler Sprocket	2
6	K25787	Inner Bushing - 7/8 OD x .635 ID x 3/4 Lg	4
7	K24264	Spring Rod - 3/8 x 7 11/16 Lg	2
8	V-3262	Spring Plug (Includes Item 25)	2
9	V-339	Spring - 1 15/16 OD x 12 1/2 Lg.....	2
	V-3465	Spring Assembly (Includes Items 8, 9 & 25)	
10	K24884	Nylon Wear Block	2
11	K21994	Shut Off Lever	1
12	K24110	Chain #2060 - 297 Links	2
13	K24107	Chain #80 - 439 Links	2
14	K24112	Connector #2060	2
15	K24114	Connector #80	2
16	S-4730	Valve - Selector	1
17	C-3016	Hex Bolt - 5/8 x 3 Lg.....	2
18	W-497	Hex Bolt - 5/8 x 1 1/2 Lg	4
19	W-489	Hex Bolt - 1/2 x 2 1/4 Lg	2
20	W-487	Hex Bolt - 3/8 x 1 3/4 Lg	1
21	W-526	Lockwasher - 5/8	2
22	W-514	Hex Nut - 3/8	2
23	W-517	Hex Nut - 5/8	2
24	D14565	Flange Locknut - 1/2	4
25	M-3388	Locknut - 3/8	2
26	D-5239	Cotter Pin - 1/4 x 2 1/4	2
27	K24250	Spacer - 1/2	2
28	K25951	Outer Bushing Assembly (Nylon Insert #K25973).....	4
29	W14434	Flange Locknut - 5/8	4
30	S-748	Jam Nut - 3/8	2
31	W-478	Hex Bolt - 3/8 x 2	1
32	D12714	U-Bolt - 3/8	1
33	D-5279	Serrated Flange Locknut - 3/8	2
34	K21993	Shut Off Backstop	1
35	N11572	Washer - 3/16 x 1 1/2 ID x 2 3/4 OD	2
36	K-3832	Spiral Pin - 5/16 x 3 Lg	2
37	K27558	Chain Link #2060 - Offset	2
38	K25655	Spring - 1.3245 ID x 2.012 Lg	1
39	S34100	Chain Link #80 - Offset	2
40	K27558	Off Set Connector #2060 (Not Shown)	
		Note: On 1400 Hay Hikers built prior to 1994 if the Pushbar (K24010) is replaced the Roller Bearings (K24983) must be replaced with the newer Roller Bearing Assembly (K27500) and Items 35 & 36	

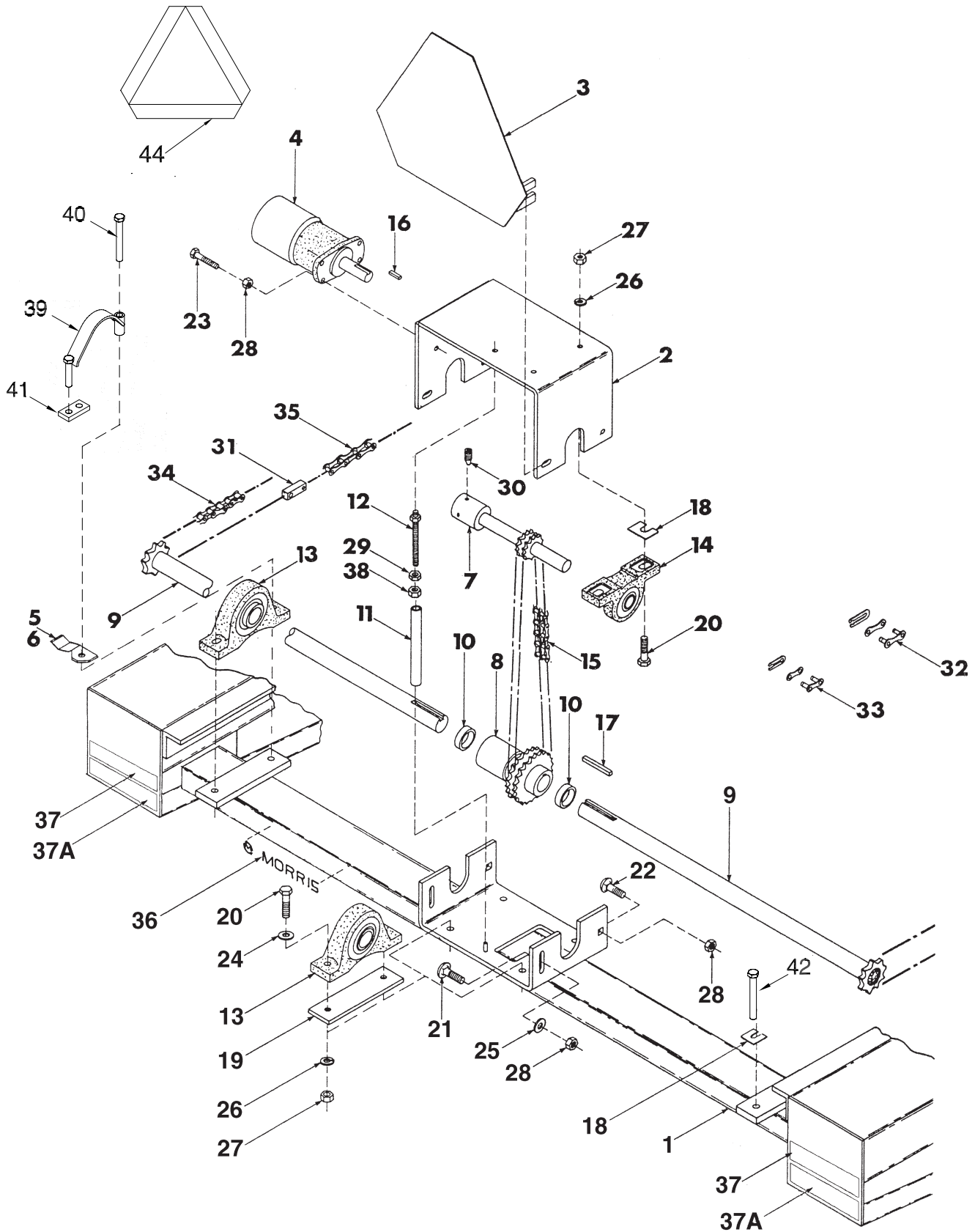
Push Bar, Fork & Drive Fork



Push Bar, Drive & Fork - 1400 HayHiker Fork

Item	Part No.	Description	Qty
1	K24060	Bale Fork	1
2	K24877	Fork - Inner w/Deflector	1
3	K24195	Fork - Outer	1
4	K24075	Deflector	1
5	K24076	Rail - Deflector	1
6	K24017	Pivot Bracket	2
7	K24210	Transport Lock	1
8	K21447	Bale Stop (optional)	1
9	K24265	Spring Arm	1
10	K24083	Pivot Pin - 1" Dia	1
11	F-3404	Spring - 1.87 OD x 13 3/16 Lg	1
12	K24204	Pin - 3/4 x 5 1/4 UL	1
13	K24578	Pin - 1 x 2 1/4 UL	1
14	K33997	Pin - 1 1/4 x 10 3/8	2
15	S-3445	Button Head Pin - 5/8 x 3 1/2 UL	2
16	K24004	Bushing - Spring Tension	3
17	S-752	Grease Zerk - 1/4 Strait	6
18	K24144	U-Bolt - 5/8	2
19	W-509	Hex Bolt - 3/4 x 2 1/2	8
20	W-506	Hex Bolt - 5/8 x 5	1
21	D-5267	Carriage Bolt - 1/2 x 1 3/4	2
22	W-480	Hex Bolt - 3/8 x 2 1/2	2
23	W-187	Hex Bolt - 3/8 x 1 1/4	2
24	W-527	Lockwasher - 3/4	8
25	W-526	Lockwasher - 5/8	4
26	W-525	Lockwasher - 1/2	2
27	D-5274	Locknut - 1 Uunitorque	1
28	W-518	Hex Nut - 3/4	8
29	W-517	Hex Nut - 5/8	4
30	S-1197	Locknut - 5/8 Uunitorque	1
31	W-516	Hex Nut - 1/2	2
32	M-3388	Locknut - 3/8 Uunitorque	4
33	W-131	Hair Pin - #9	3
34	F12981	Hair Pin - #16	1
35	W-533	Cotter Pin - 3/16 x 2	2
36	W-535	Cotter Pin - 1/4 x 1 1/2	4
37	C-2043	Cylinder - 3 1/2 x 12 GBP	1
38	K24212	Decal - "DANGER - FORK FALLING"	1
39	C18510	Nylon Bushing	2
40	K24904	Greasable Pin - 1 x 2 1/4 UL	3
41	S-367	Washer	2

Push Bar, Fork & Drive Drive



Push Bar, Fork & Drive - 1400 HayHiker Drive

Item	Part No.	Description	Qty
1	K24180	Main Frame	1
2	K24176	Chain Housing	1
3	K24293	SMV Sign Bracket	1
4	K24111	Hydraulic Motor (Seal Kit #K29029)	1
5	K24900	Straw Cutter - Right	1
6	K24901	Starw Cutter - Left	1
7	K24267	Motor Jack Shaft	1
8	K24270	Drive Shaft Coupler	1
9	K24269	Drive Shaft	2
10	K24164	Spacer - Drive Shaft	2
11	K24104	Spacer - Chain Tensioner	1
12	K24185	Chain Tensioner Rod - 1/2 x 5 Lg	1
13	K24113	Pillow Block Bearing - 1 3/4 Dia c/w Locking Collar (Fit on Item 9)	4
14	K24116	Pillow Block Bearing - 1 1/4 Dia c/w Locking Collar (Fits on Item 7)	1
15	K24106	Chain 60H - 2 x 30 Links w/connector	1
16	K32232	Key - 5/16 x 1 Lg	1
17	K24105	Key - 3/8 x 3 Lg	2
18	T-4832	Shim - .025	As req
19	K24896	Spacer - 1/4	2
20	W-501	Hex Bolt - 5/8 x 2 1/2	4
21	D-5267	Carriage Bolt - 1/2 x 1 3/4	2
22	H-4584	Carriage Bolt - 1/2 x 1 1/2	2
23	S-1189	Hex Bolt - 1/2 x 1 3/4	2
24	W-629	Flatwasher - 5/8	6
25	W-539	Flatwasher - 1/2	2
26	W-526	Lockwasher - 5/8	12
27	W-517	Hex Nut - 5/8	12
28	F-3405	Locknut - 1/2 Unitorque	6
29	S-1292	Jam Nut - 1/2	1
30	S-1203	Setscrew - 5/16 x 1/2 Allan Head	1
31	K24090	Connector Link	2
32	K24112	Connector - Chain #2060	2
	K27558	Off Set Connector - Chain # 2060	
33	K24114	Connector - Chain #80	2
34	K24107	Chain #80 - 439 Links	2
35	K24110	Chain #2060 - 297 Links	2
36	H-1813	Decal - "MORRIS"	1
37	N34476	Reflector - RED	4
37A	N34478	Reflector - RED/ORANGE	4
38	W-516	Hex Nut - 1/2	1
39	K33558	Bracket - Reinforcing - Pillow Block	2
40	C-852	Hex Bolt 5/8 x 4 1/2 Lg	2
41	K33559	Plate	2
42	W-502	Hex Bolt 5/8 x 2 3/4 Lg	2
43	K25314	Setscrew - 1/4 x 1/4 x 28 UNF Lg	4
44	N34474	Decal - SMV	
	K33560	Kit - Pillow Block Reinforcement Includes 2 of Item 39, 2 of Item 40, 2 of Item 41, 2 of Item 42, 2 of Item 26 and 2 of Item 27	

Notes

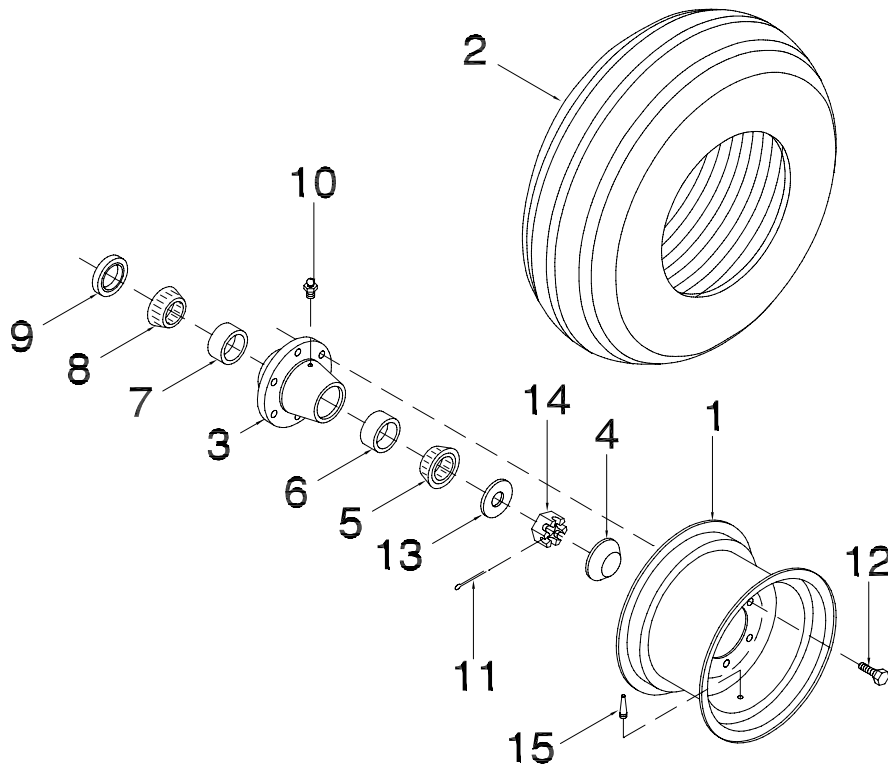
Section 3: Axle & Wheels

Section Contents

Wheels - 29,000 GVW Axles	3-2
Wheels - 37,000 GVW Axles	3-3
Axles	3-4

Axles & Wheels
Wheels - 29,000 GVW Axles

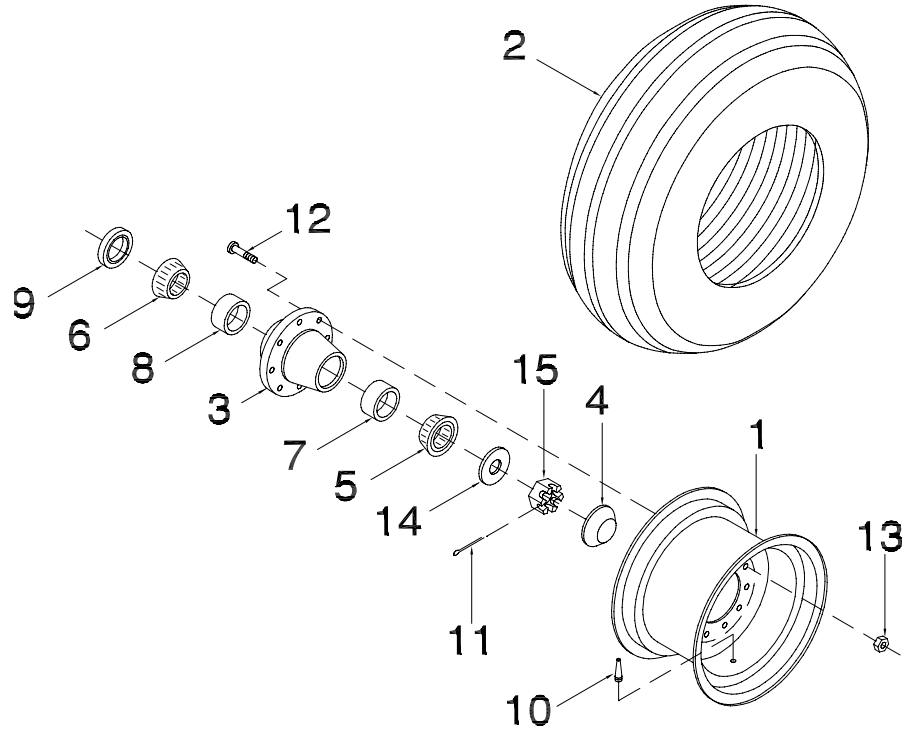
6 Bolt Hub



Item	Part No.	Description	Qty
1	C-1473	Rim - 15 x 8 - 6 Bolt	1
2	K-5688	Tire - 11L x 15 FI Load Range D (8 Ply Rating)	1
3	C-1463	Hub (Includes Items 6, 7 & 10)	1
4	C-1522	Dust Cap	1
5	W-1474	Outer Wheel Bearing - LM48548	1
6	W-1537	Outer Bearing Cup	1
7	W-1538	Inner Bearing Cup	1
8	W-1475	Inner Wheel Bearing - LM603049	1
9	C-1521	Seal	1
10	S-752	Grease Nipple - 1/4 NPT Strait	1
11	W-1416	Cotter Pin - 3/16 x 1 1/2	1
12	W-1383	Wheel Stud Bolt - 9/16 x 1 11/16	6
13	C-3258	Washer - 2 OD x 1 1/16 ID x 3/16	1
14	S-1311	Slotted Nut - 1" SAE	1
15	C17348	Valve Stem	1

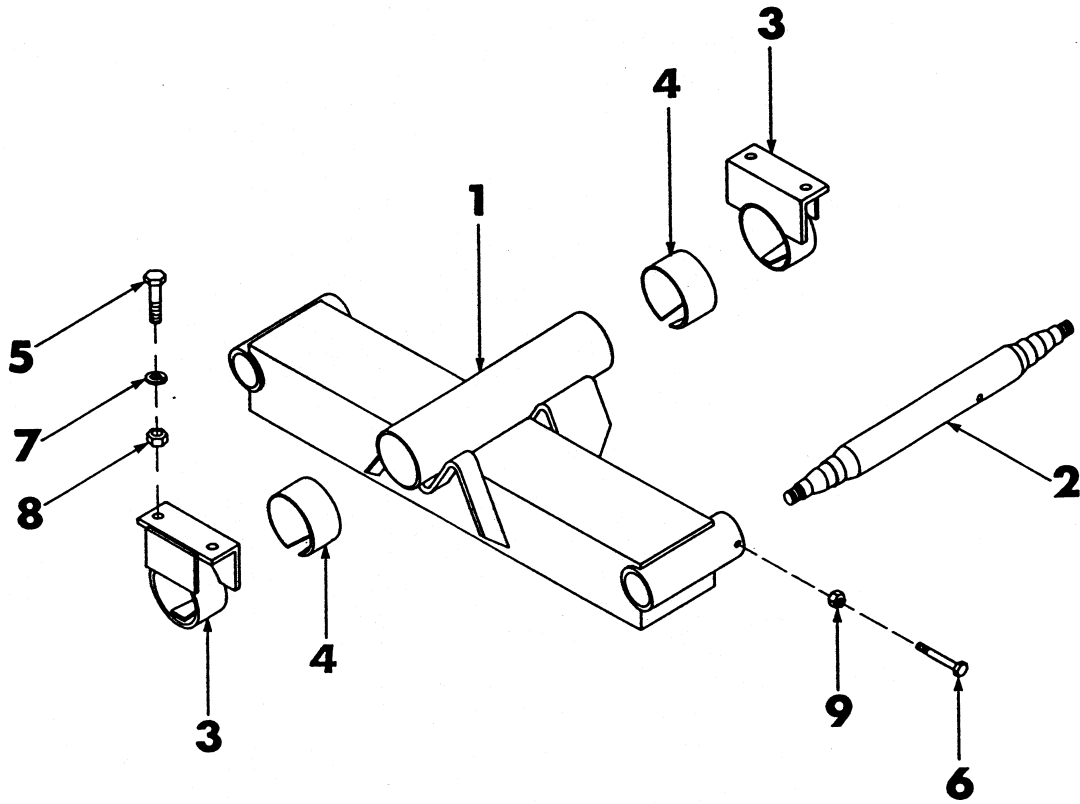
Axles & Wheels
Wheels - 37,000 GVW Axles

8 Bolt Hub



Item	Part No.	Description	Qty
1	C17355	Rim - 15 x 10 - 8 Bolt	1
2	C16609	Tire - 11 x 15 FI Load Range F (12 Ply Rating)	1
3	N19173	Heavy Duty Hub (Includes Items 7, 8 & 12)	1
4	N19171	Dust Cap	1
5	N19170	Outer Wheel Bearing	1
6	N19169	Inner Wheel Bearing	1
7	N19168	Outer Bearing Cup	1
8	N19167	Inner Bearing Cup	1
9	N19172	Seal	1
10	C17348	Valve Stem	1
11	D-5239	Cotter Pin - 1/4 x 2 1/4	1
12	N19727	Wheel Stud - 5/8 x 18 UNF x 2 1/2	8
13	N19586	Wheel Nut - 5/8	8
14	N13962	Flatwasher	1
15	N19484	Castle Nut - 1 1/4	1

Axles & Wheels Axles



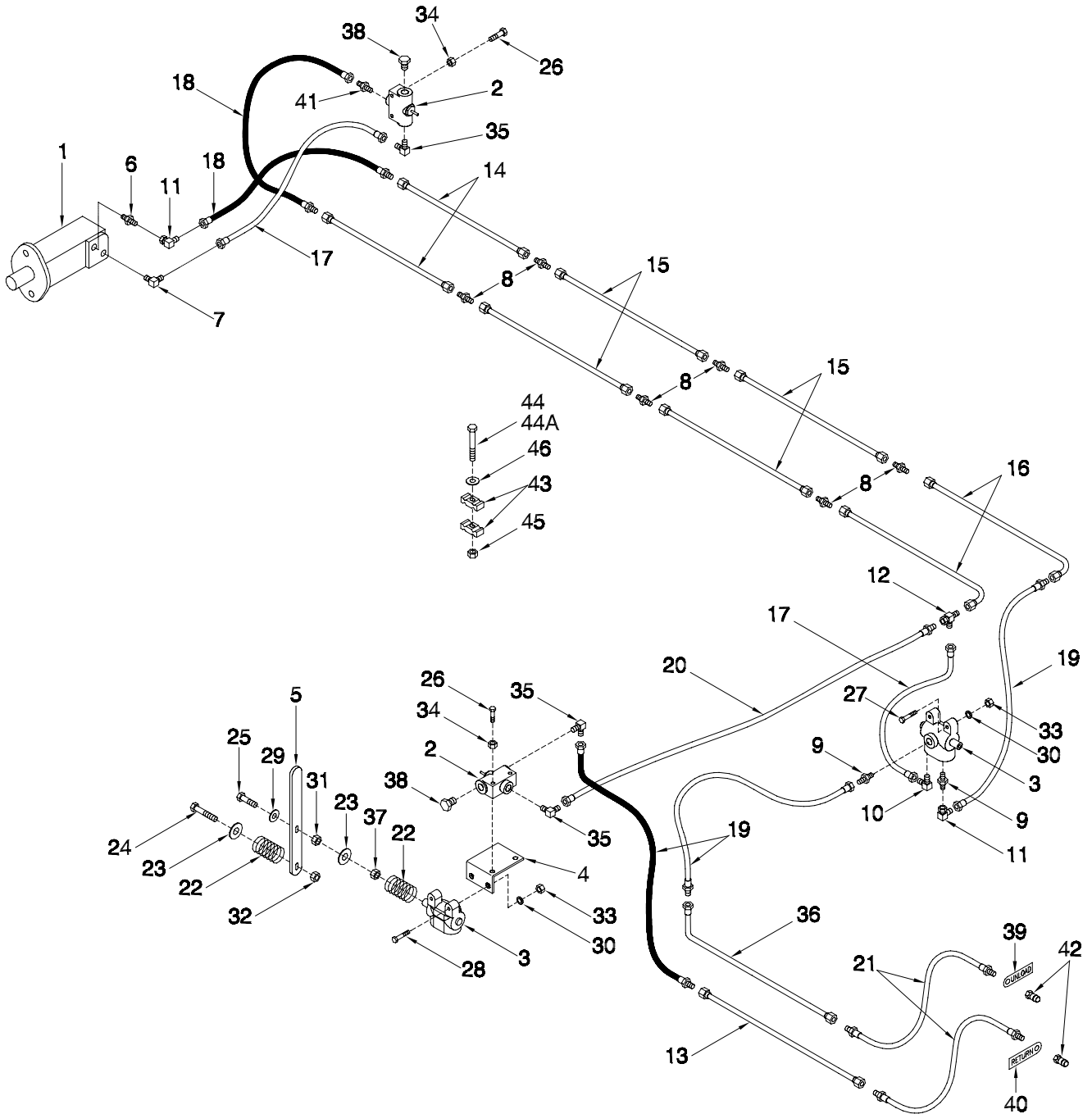
Item	Part No.	Description	Qty
1	K24045	Axle	1
2	K24742	Spindle - 6 Bolt - for C-1463 Hub (After to Serial #1400001444)	2
2A	K24085	Spindle - 8 Bolt - for N19173 Hub	2
2B	K24084	Spindle - 6 Bolt - for W-1350 Hub (Prior to Serial #1400001444)	2
3	K24283	Pivot Bearing Bracket	2
4	K24284	Wear Strip	2
5	W-509	Hex Bolt - 3/4 x 2 1/4 Lg	4
6	W-506	Hex Bolt - 5/8 x 5 Lg (After Serial #1400001484)	2
	K28972	Hex Bolt - 1/2 x 5 Lg Lamalloy (Prior to Serial #1400001484)	2
7	W-527	Lockwasher - 3/4	4
8	W-518	Hex Nut - 3/4	4
9	S-1197	Locknut - 5/8 (After Serial #1400001484)	2
	F-3405	Locknut - 1/2 (Prior to Serial #1400001484)	2

Section 4: Hydraulics

Section Contents

Push Bar Tilt	4-2
Fork/Bed Tilt	4-4
Cylinders	4-6
Line Lock Valves	4-8

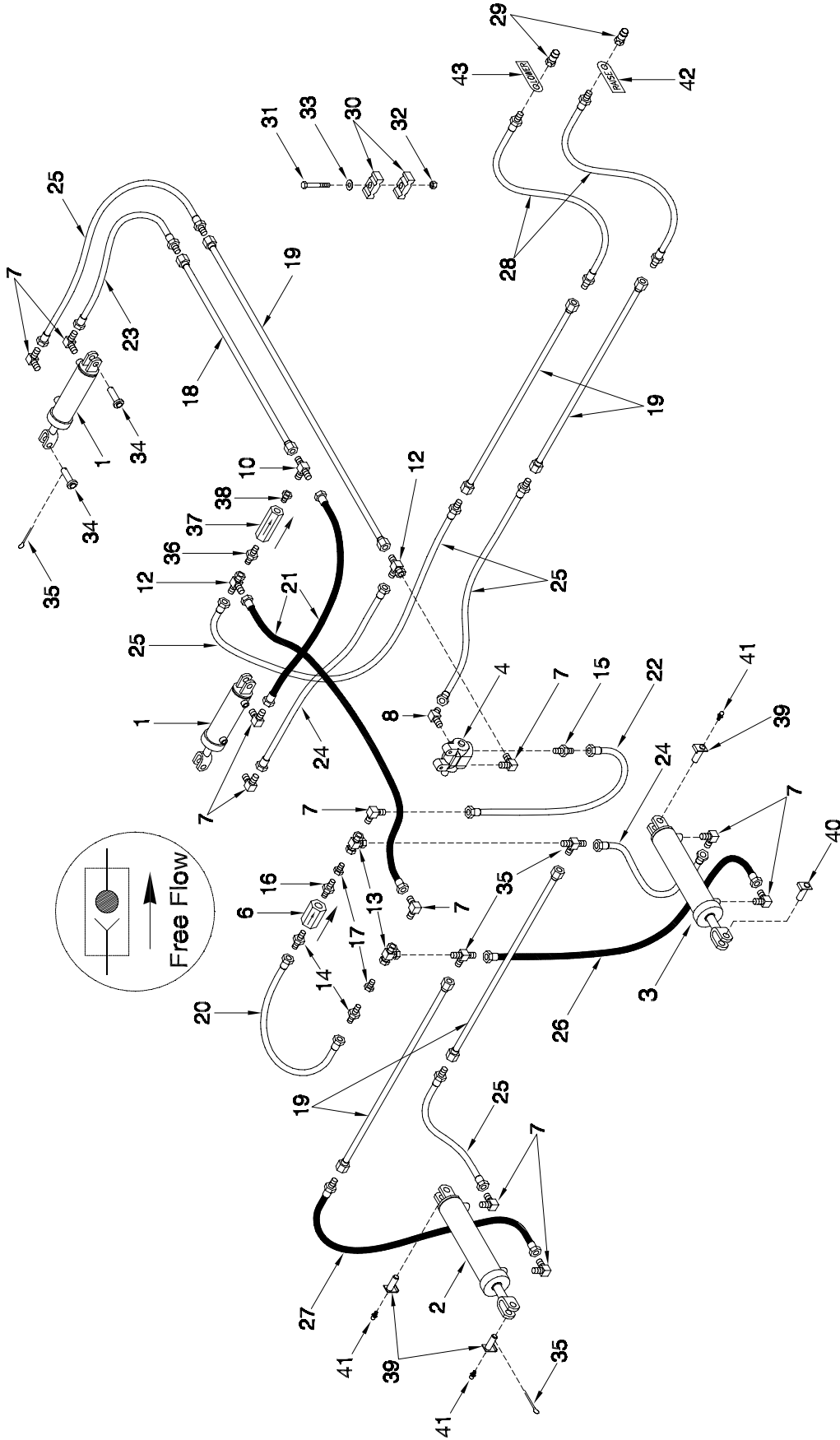
Hydraulics Push Bar Tilt



Hydraulics- Push Bar Tilt

Item	Part No.	Description	Qty
1	K24111	Hydraulic Motor (Seal Kit #K29029) (Shaft K35694)	1
2	C11194	Line Lock Valve (Prior to Serial #1400001484)	2
	C28501	Line Lock Valve (After Serial #1400001484)	2
3	S-4730	Selector Valve	2
	N31601	Seal Kit	
4	K28102	Mounting Bracket - Line Lock Valve	1
5	K24097	Lever	1
6	N34505	Connector - 7/8 - 14 MORB x 7/8 - 14 MJIC	1
7	C15318	90 Elbow - 7/8-14 MJIC x 7/8-14 ORB	1
8	C-4469	Male Connector - 7/8-14 MJIC	6
9	C-4399	Male Connector - 7/8-14 MJIC x 1/2 MNPT	3
10	C-4400	90 Elbow - 7/8-14 MJIC x 1/2 MNPT	3
11	K-5806	90 Swivel Elbow - 7/8-14 MJIC x 7/8-14 FJIC	2
12	H18746	Swivel Tee - (2) 7/8-14 MJIC x (1) 7/8-14 FJIC	1
13	C-4364	Oil Line - 5/8 x 53 Lg	1
14	C-4369	Oil Line - 5/8 x 96 3/4 Lg	2
15	F-5426	Oil Line - 5/8 x 112 Lg	4
16	F-4560	Oil Line w/90 Bend - 5/8 x 99 Lg	2
17	C-4383	Hyd Hose - 1/2 x 20 Lg w/7/8-14 FJIC	2
18	C-4385	Hyd Hose - 1/2 x 24 Lg w/7/8-14 MJIC x 7/8-14 FJIC	2
19	C-4387	Hyd Hose - 1/2 x 36 w/7/8-14 MJIC x 7/8-14 FJIC	3
20	C-4388	Hyd Hose - 1/2 x 48 Lg w/7/8-14 MJIC x 7/8-14 FJIC	1
21	C-4390	Hyd Hose - 1/2 x 96 Lg w/7/8-14 MJIC x 1/2 MNPT	2
22	K25655	Spring - 1.345 ID x 2.012 Lg	2
23	W14504	Spring Retainer Washer - 1 1/2 OD	2
24	W-1854	Hex Bolt - 3/8 x 3	1
25	W-619	Hex Bolt - 3/8 x 1 3/4	1
26	J12217	Hex Bolt - 5/16 x 2 1/4	4
27	C-3035	Hex Bolt - 5/16 x 1 3/4	2
28	S-1303	Hex Bolt - 5/16 x 2	2
29	D-5489	Flatwasher - 3/8	1
30	W-522	Lockwasher - 5/16	4
31	W-514	Hex Nut - 3/8	1
32	M-3388	Locknut - 3/8	1
33	W-513	Hex Nut - 5/16	4
34	D-5278	Serrated Flange Locknut - 5/16	4
35	C24585	Elbow - 7/8-14 MJIC x 3/4 ORB	3
36	F-4559	Oil Line w/90 Bend - 5/8 x 50 Lg	1
37	S-748	Jam Nut - 3/8	1
38	C28505	Plug - 3/4-16 ORB	2
39	K29978	Tag - Hose ID - Push Bar - Unload	1
40	K29979	Tag - Hose ID - Push Bar - Return	1
41	C14840	Connector 1/2 ORB x 5/8 MJIC	1
42	C-817	Pioneer Tips - 1/2 FNPT	2
43	C-4698	Oil Line Clamp (Repeated from Fork/Bed Tilt Hydraulics)	28
44	W-1854	Hex Bolt - 3/8 x 3 (Repeated from Fork/Bed Tilt Hydraulics)	2
44A	W-479	Hex Bolt - 3/8 x 2 1/4 (Repeated from Fork/Bed Tilt Hydraulics)	12
45	M-3388	Locknut - 3/8 (Repeated from Fork/Bed Tilt Hydraulics)	14
46	D-5489	Flatwasher - 3/8 (Repeated from Fork/Bed Tilt Hydraulics)	14

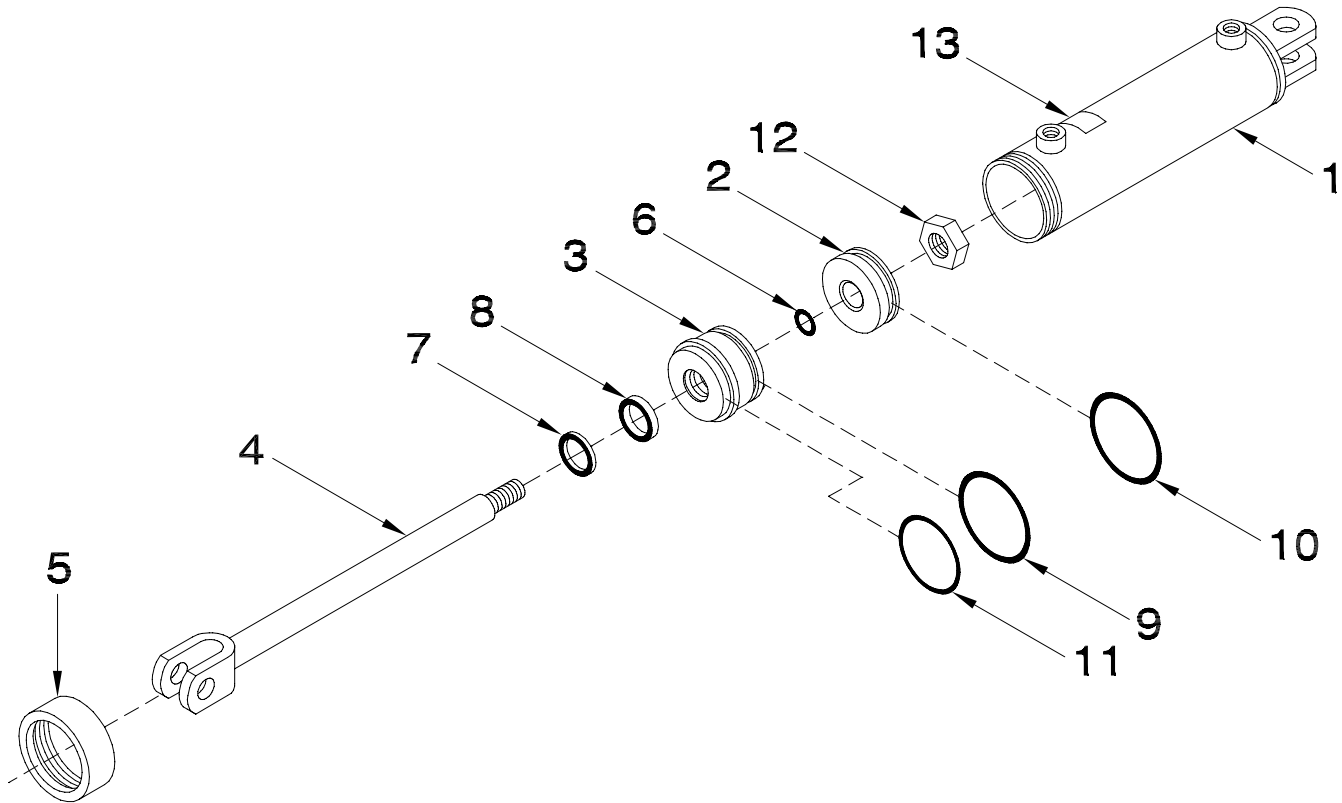
Hydraulics Fork/Bed Tilt



Hydraulics - Fork/Bed Tilt

Item	Part No.	Description	Qty
1	C-2238	Hyd Cylinder - 3 x 8 AG	2
2	C-2034	Hyd Cylinder - 3 1/2 x 12 BBP	1
3	C-2043	Hyd Cylinder - 3 1/2 x 12 GBP	1
4	S-4730	Selector Valve	1
	N31601	Seal Kit	
6	H18263	Check Valve	1
7	C-4400	90 Elbow - 7/8-14 MJIC x 1/2 MNPT	11
8	C-4402	45 Elbow - 7/8-14 MJIC x 1/2 MNPT	1
10	C-4396	Union Tee - (2) 7/8-14 MJIC x (1) 1/2 MNPT	1
11	H-4406	Tee - (2) 7/8-14 MJIC x 1/2 MNPT	2
12	H18746	Swivel Tee - (2) 7/8-14 MJIC x (1) 7/8-14 FJIC	2
13	W-4056	Cast Tee - (3) 1/2 FNPT	2
14	C-4405	Male Connector - 9/16-18 MJIC x 3/8 MNPT	2
15	C-4399	Male Connector - 7/8-14 MJIC x 1/2 MNPT	1
16	C-724	Nipple - 3/8 MNPT	1
17	C-719	Reducer - 1/2 MNPT x 3/8 FNPT	2
18	C-4363	Oil Line - 5/8 x 38 Lg	1
19	C-4364	Oil Line - 5/8 x 53 Lg	5
20	C-4467	Hyd Hose - 1/4 x 16 LG w/9/16-18 FJIC	1
21	C-4383	Hyd Hose - 1/2 x 20 Lg w/7/8-14 FJIC	2
22	C-4468	Hyd Hose - 1/2 x 24 Lg w/7/8-14 FJIC	1
23	C-4385	Hyd Hose - 1/2 x 24 Lg w/7/8-14 MJIC x 7/8-14 FJIC	3
24	C-4404	Hyd Hose - 1/2 x 36 Lg w/7/8-14 FJIC	2
25	C-4387	Hyd Hose - 1/2 x 36 Lg w/7/8-14 MJIC x 7/8-14 FJIC	4
26	K-5685	Hyd Hose - 1/2 x 48 Lg w/7/8-14 FJIC	1
27	C-4388	Hyd Hose - 1/2 x 48 Lg w/7/8-14 MJIC x 7/8-14 FJIC	1
28	C-4390	Hyd Hose - 1/2 x 96 Lg w/7/8-14 MJIC x 1/2 MNPT	2
29	C-817	Pioneer Tips - 1/2 FNPT	2
30	C-4698	Oil Line Clamp	28
31	W-1854	Hex Bolt - 3/8 x 3	2
31A	W-479	Hex Bolt - 3/8 x 2 1/4	12
32	M-3388	Locknut - 3/8	14
33	D-5489	Flatwasher - 3/8	14
34	C-1429	Pin - 1 x 3 3/8 UL	4
35	W-535	Cotter Pin - 1/4 x 1 1/2	8
36	C14840	Connector - 7/8-14 MJIC x 3/4-16 ORB	1
37	C15975	Restrictor Valve	1
38	C16457	Adaptor - 3/4-16 ORB	1
39	K24904	Greasable Pin - 1 x 2 1/4 UL	3
40	K24578	Pin - 1 x 2 1/4 UL	1
41	S-752	Grease Zerk - 1/4 Straight	3
42	K29976	Tag - Hose ID - Fork/Bed - Raise	1
43	K29977	Tag - Hose ID - Fork/Bed - Lower	1

Hydraulics Cylinders

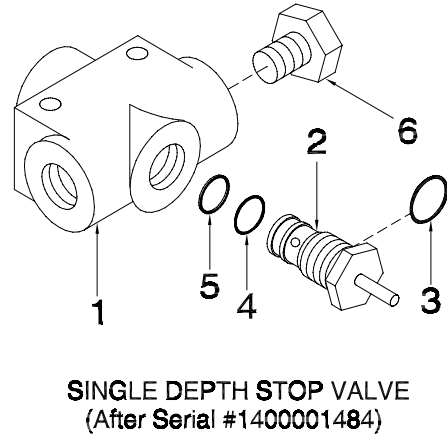
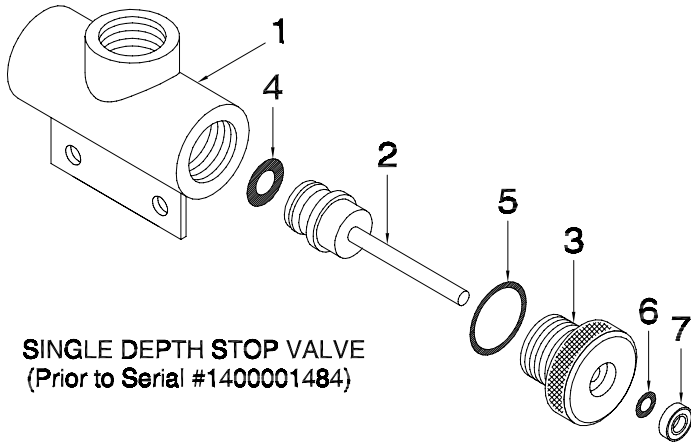


Item	Part No.	Description	Qty
C-2034 - 3 1/2 x 12 - BUTT-BY-PASS CYLINDER			
1	C-2038	Barrel	1
2	C-2039	Piston	1
3	C-2037	Gland	1
4	C-2027	Shaft - 1 1/4 x 19 7/8 Lg	1
5	C-2028	Collar	1
6	C-2187	1 OD x 1/16 C/S 90D BUNA O-Ring	1
7	C-2007	1 1/4 ID x 3/16 C/S 90D URTN Wiper	1
8	C-2008	1 1/4 ID x 5/16 90D URTN U-Cup	1
9	C-2029	3 1/2 OD x 3/16 C/S 90D BUNA O-Ring	1
10	C-2022	3 1/2 OD x 3/16 C/S 90D URTN O-Ring	1
11	C-2214	3 OD x 1/16 C/S 70D BUNA O-Ring	1
12	C-2017	Locknut - 7/8 UNF Unitorque	1
13	C-2042	Part No Plate	1
	C-2034	Cylinder Assembly (Includes All Above Items)	
	C-2036	Seal Kit (Includes Items #6, 7, 8, 9, 10 & 11)	

Hydraulics - Cylinders

Item	Part No.	Description	Qty
C-2043 - 3 1/2 x 12 - GLAND-BY-PASS CYLINDER			
1	C-2045	Barrel	1
2	C-2039	Piston	1
3	C-2037	Gland	1
4	C-2027	Shaft - 1 1/4 x 19 7/8 Lg	1
5	C-2028	Collar	1
6	C-2187	1 OD x 1/16 C/S 90D BUNA O-Ring	1
7	C-2007	1 1/4 ID x 3/16 C/S 90D URTH Wiper	1
8	C-2008	1 1/4 ID x 5/16 90D URTH U-Cup	1
9	C-2029	3 1/2 OD x 3/16 C/S 90D BUNA O-Ring	1
10	C-2022	3 1/2 OD x 3/16 C/S 90D URTH O-Ring	1
11	C-2214	3 OD x 1/16 C/S 70D BUNA O-Ring	1
12	C-2017	Locknut - 7/8 UNF Unitorque	1
13	C-2042	Part No Plate	1
	C-2043	Cylinder Assembly (Includes All Above Items)	
	C-2036	Seal Kit (Includes Items #6, 7, 8, 9, 10 & 11)	
C-2238 - 3 x 8 - AG CYLINDER			
1	C-2013	Barrel	1
2	C-2014	Piston	1
3	C-2010	Gland	1
4	C-2239	Shaft - 1 1/4 x 17 7/8 Lg	1
5	C-2009	Collar	1
6	C-2187	1 OD x 1/16 C/S 90D BUNA O-Ring	1
7	C-2007	1 1/4 ID x 3/16 C/S 90D URTH Wiper	1
8	C-2008	1 1/4 ID x 5/16 90D URTH U-Cup	1
9	C-2012	3 OD x 3/16 C/S 90D BUNA O-Ring	1
10	C-2015	3 OD x 3/16 C/S 90D URTH O-Ring	1
11	C-2214	3 OD x 1/16 C/S 70D BUNA O-Ring	1
12	C-2017	Shaft Nut - 7/8	1
13	C-2240	Part No Plate	1
	C-2238	Cylinder Assembly (Includes All Above Items)	
	C-2002	Seal Kit (Includes Items #6, 7, 8, 9, 10 & 11)	

Hydraulics Line Lock Valves



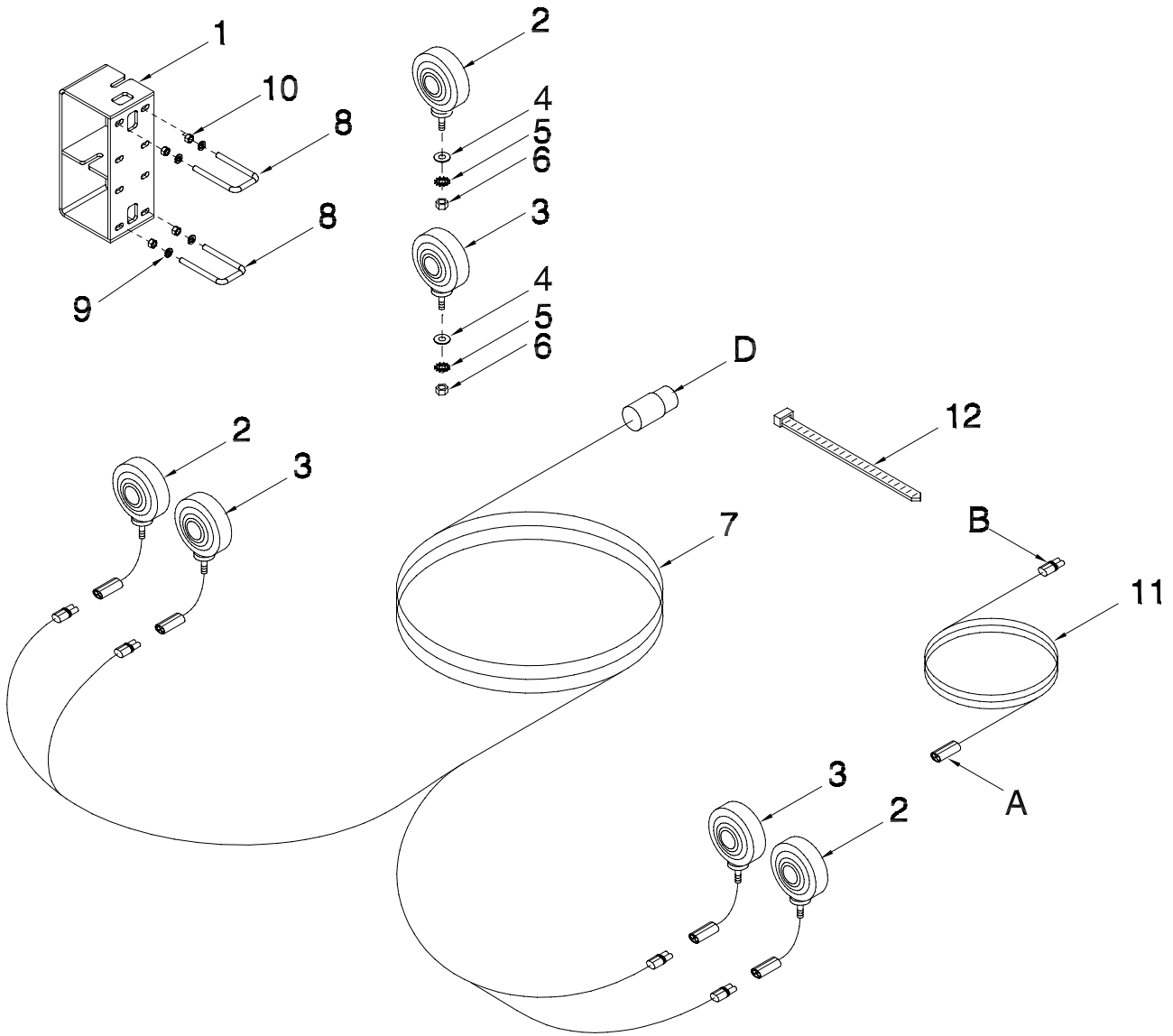
Item	Part No.	Description	Qty
Line Lock Valve (Used Prior to Serial #1400001484)			
1	C11191	Valve Body - Depth Stop	1
2	C18840	Valve Piston & Shaft (Aluminum Piston)	1
3	C-2118	Gland (Includes Items #4, 5 & 6)	1
4	C18843	O-Ring - 3/8 ID x 5/8 OD	1
5	C-2115	O-Ring - 1 1/16 ID x 1 1/4 OD	1
6	C-2117	O-Ring - 1/4 ID x 3/8 OD	1
7	C-2116	Rod Wiper Seal	1
	C11194	Single Depth Stop Valve Assembly (Includes All Above Items)	
	C12524	Seal Kit (Includes Items #4, 5, 6 & 7)	
Line Lock Valve (Used After Serial #1400001484)			
1	C28894	Valve Body - Depth Stop	1
2	C28890	Depth Stop Valve Cartridge	1
3	C28891	O-Ring - 3/4 ID x 15/16 OD	1
4	C28892	O-Ring - 5/8 ID x 3/4 OD	1
5	C28893	Backup Ring - 21/32 ID x 3/4 OD	1
	C28501	Single Depth Stop Valve Assembly (Includes All Above Items)	

Section 5: Lighting and Safety Signs

Section Contents

Marking Lights	5-2
Safety Signs	5-4

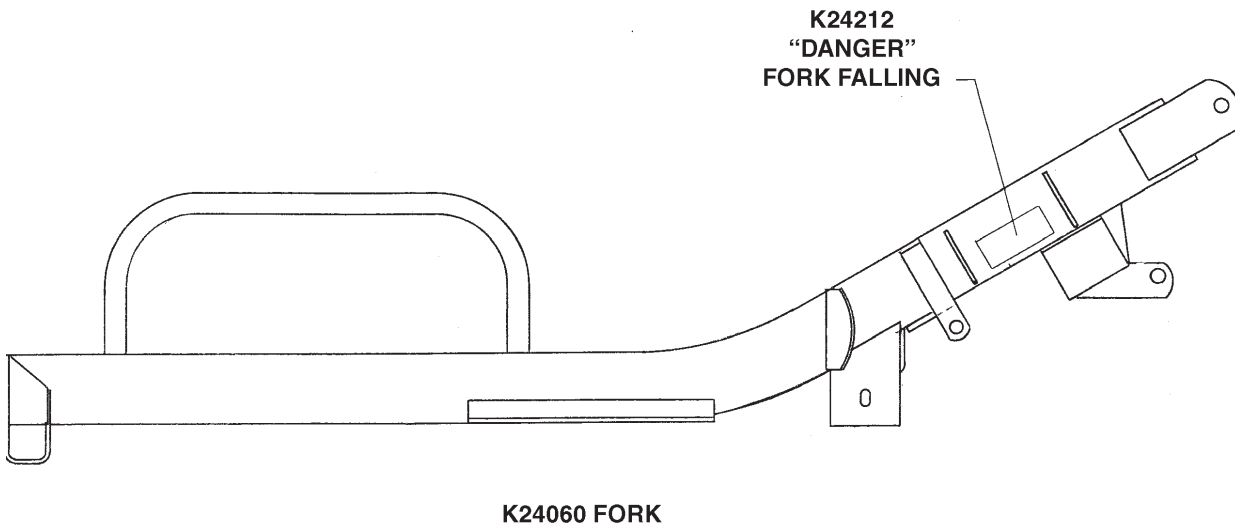
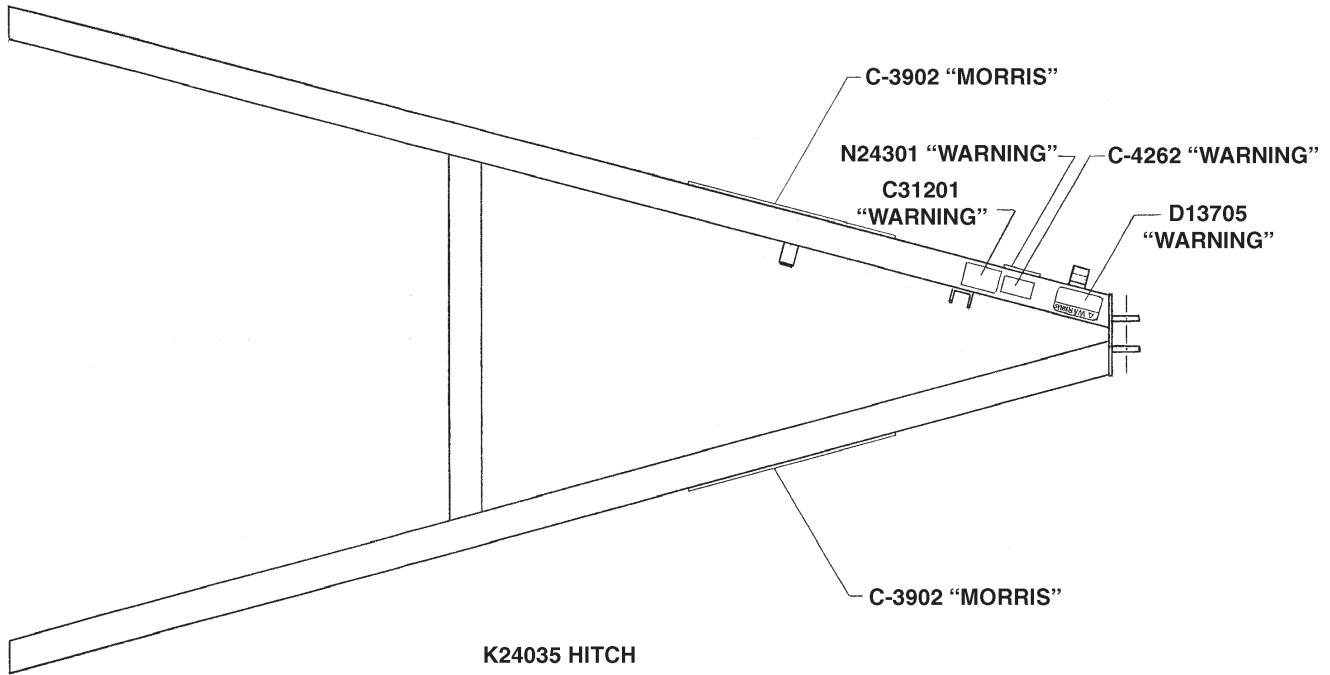
Lighting Marking Lights



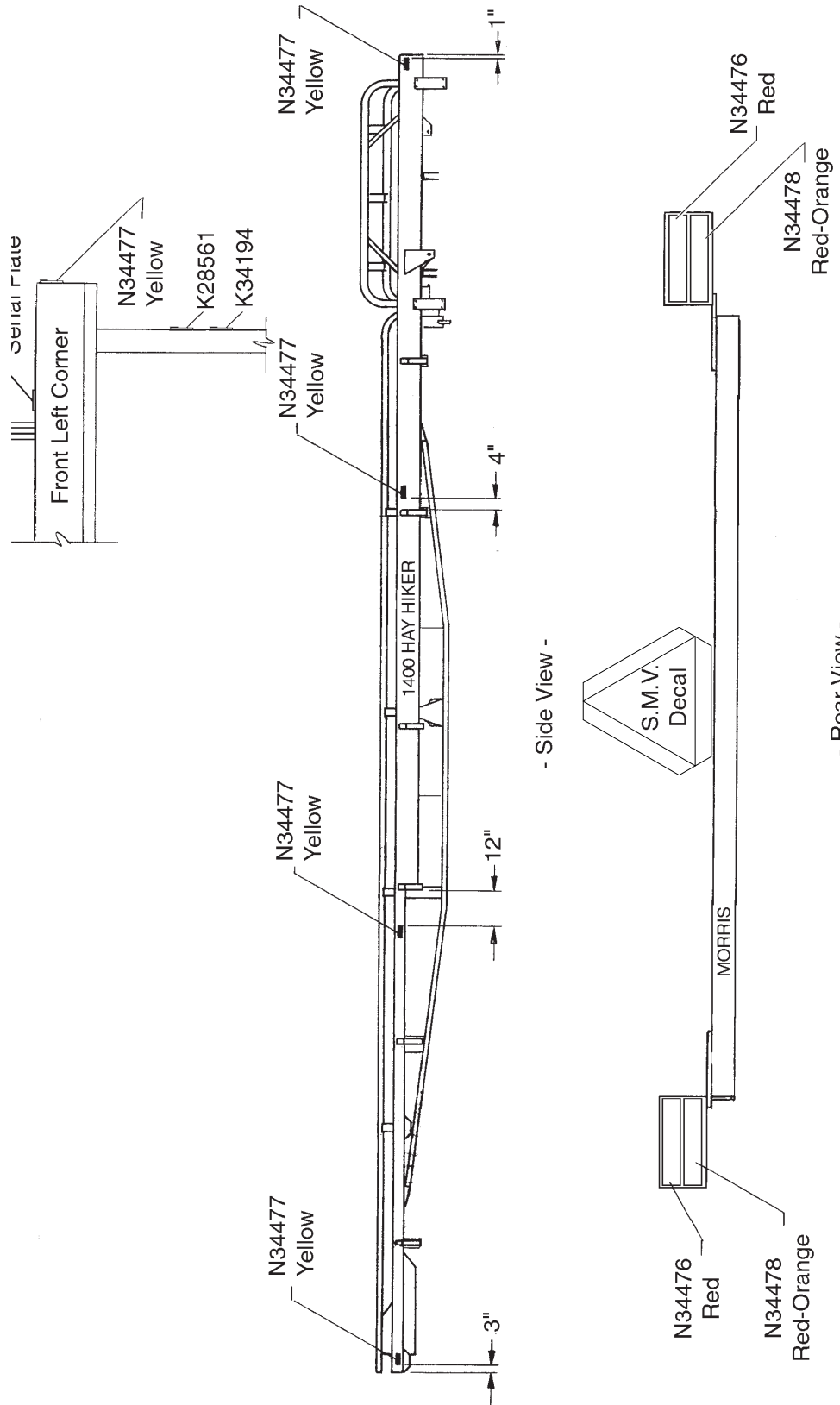
Lighting - Marking Lights

Item	Part No.	Description	Qty
1	K37581	Bracket - Mounting	2
2	C32765	Light - Amber	2
3	C32766	Light - Red	2
4	W-539	Flat Washer - 1/2	1
5	D-5280	Star Washer - 1/2	2
6	W-516	Hex Nut - 1/2	1
7	C31437	Wiring Harness - Main.....	1
8	N29065	U - Bolt - 3/8 x 2 x 4	4
9	W-523	Lockwasher - 3/8	8
10	W-514	Hex Nut - 3/8	8
11	C31439	Wiring Extension - 2 Pin - 10 ft	2
12	D-4951	Nylon Tie Strap - 7 3/8 lg	25
12A	D-4838	Nylon Strap - Black- 14 1/2 Lg	15
	C32761	Red Acrylic Lens	
	C32762	Amber Acrylic Lens	
	C32515	Bulb - #1156	
A	C32681	Receptacle Connector Assembly - GRAY - 2 Pin	
B	C32682	Plug Connector Assembly - GRAY - 2 Pin	
D	C32690	Connector Assembly - 7 Pin Plug (Complete with Cable Protector Spring)	
	C32688	Interior - Plug - 7 Pin Connector	
	C32689	Cable Protector Spring - Plug - 7 Pin Connector	
		ORDER KITS THROUGH PARTS ONLY	
	K30754	1400 Hay Hiker Light Kit-Includes items 1, 4-9, 10, 11, 12, 13 and 14	

Safety Signs



Safety Signs



Notes

Index

B

BW-11 1-2

C

C-1429 1-2, 4-5
 C-1463 3-3
 C-1473 3-3
 C-1521 3-3
 C-1522 3-3
 C-2002 4-7
 C-2007 4-7
 C-2008 4-7
 C-2009 4-7
 C-2010 4-7
 C-2012 4-7
 C-2013 4-7
 C-2014 4-7
 C-2015 4-7
 C-2017 4-7
 C-2022 4-7
 C-2027 4-7
 C-2028 4-7
 C-2029 4-7
 C-2034 4-5, 4-7
 C-2036 4-7
 C-2037 4-7
 C-2038 4-7
 C-2039 4-7
 C-2042 4-7
 C-2043 2-5, 4-5, 4-7
 C-2045 4-7
 C-2115 4-8
 C-2116 4-8
 C-2117 4-8
 C-2118 4-8
 C-2187 4-7
 C-2214 4-7
 C-2238 4-5, 4-7
 C-2239 4-7
 C-2240 4-7
 C-3016 2-3
 C-3035 4-3
 C-3258 3-3
 C-333 1-2
 C-3902 1-2
 C-4363 4-5
 C-4364 4-3, 4-5
 C-4369 4-3
 C-4383 4-3, 4-5
 C-4385 4-3, 4-5
 C-4387 4-3, 4-5
 C-4388 4-3, 4-5
 C-4390 4-3, 4-5
 C-4396 4-5
 C-4399 4-3, 4-5

C-4400 4-3, 4-5
 C-4402 4-5
 C-4404 4-5
 C-4405 4-5
 C-4467 4-5
 C-4468 4-5
 C-4469 4-3
 C-4698 4-3, 4-5
 C-719 4-5
 C-724 4-5
 C-805 1-2
 C-817 4-3, 4-5
 C-852 2-7
 C11191 4-8
 C11194 4-3, 4-8
 C12524 4-8
 C14840 4-3, 4-5
 C15318 4-3
 C15975 4-5
 C16457 4-5
 C16609 3-2
 C17348 3-2, 3-3
 C17355 3-2
 C18510 2-5
 C18758 1-2
 C18761 1-2
 C18840 4-8
 C18843 4-8
 C24585 4-3
 C28501 4-3, 4-8
 C28505 4-3
 C28890 4-8
 C28891 4-8
 C28892 4-8
 C28893 4-8
 C28894 4-8
 C31437 5-3
 C31439 5-3
 C32515 5-3
 C32681 5-3
 C32682 5-3
 C32688 5-3
 C32689 5-3
 C32690 5-3
 C32761 5-3
 C32762 5-3
 C32765 5-3
 C32766 5-3

D

D-4838 5-3
 D-4951 5-3
 D-5063 1-2
 D-5239 2-3, 3-2
 D-5240 1-2
 D-5244 1-2

D-5267 2-5, 2-7
 D-5272 1-4
 D-5274 2-5
 D-5275 1-2
 D-5278 4-3
 D-5279 2-3
 D-5280 5-3
 D-5489 4-3, 4-5
 D-5519 1-2
 D-5558 1-2
 D12671 1-2
 D12714 2-3
 D14565 2-3

F

F-3404 2-5
 F-3405 1-2, 2-7, 3-4
 F-4559 4-3
 F-4560 4-3
 F-5426 4-3
 F12981 2-5

H

H-1813 2-7
 H-4406 4-5
 H-4584 2-7
 H10462 1-2, 1-4
 H18263 4-5
 H18746 4-3, 4-5
 H30756 5-3

J

J12217 4-3

K

K-3832 2-3
 K-5685 4-5
 K-5688 3-3
 K-5806 4-3
 K21447 2-5
 K21993 2-3
 K21994 2-3
 K24004 2-5
 K24010 2-3
 K24017 2-5
 K24035 1-2
 K24042 1-2
 K24045 3-4
 K24053 1-2
 K24060 2-5
 K24075 2-5
 K24076 2-5
 K24081 2-3
 K24083 2-5
 K24084 3-4

K24085 3-4
 K24088 1-2
 K24090 2-7
 K24092 1-2
 K24093 1-2
 K24097 4-3
 K24104 2-7
 K24105 2-7
 K24106 2-7
 K24107 2-3, 2-7
 K24110 2-3, 2-7
 K24111 2-7, 4-3
 K24112 2-3, 2-7
 K24113 2-7
 K24114 2-3, 2-7
 K24116 2-7
 K24144 2-5
 K24160 1-2
 K24164 2-7
 K24176 2-7
 K24180 1-2, 2-7
 K24185 2-7
 K24187 1-2
 K24190 1-2
 K24192 1-2
 K24195 2-5
 K24199 1-2
 K24204 2-5
 K24206 1-2
 K24210 2-5
 K24212 2-5
 K24250 2-3
 K24264 2-3
 K24265 2-5
 K24267 2-7
 K24269 2-7
 K24270 2-7
 K24283 3-4
 K24284 3-4
 K24288 2-3
 K24293 2-7
 K24299 1-2
 K24578 2-5, 4-5
 K24589 1-2
 K24742 3-4
 K24877 2-5
 K24884 2-3
 K24894 1-2
 K24896 2-7
 K24900 2-7
 K24901 2-7
 K24903 1-2
 K24904 2-5, 4-5
 K24983 2-3
 K25314 2-7
 K25655 2-3, 4-3

K25787 2-3
K25790 1-2
K25797 1-2
K25951 2-3
K27500 2-3
K27558 2-3, 2-7
K28102 4-3
K28512 2-3
K28561 1-2
K28972 3-4
K29976 4-5
K29977 4-5
K29978 4-3
K29979 4-3
K30754 5-3
K32232 2-7
K33558 2-7
K33559 2-7
K33560 2-7
K33900 2-3
K33901 2-3
K33997 2-5
K37581 5-3
K42389 1-2
K42390 1-2
K44733 1-2

M

M-3388 1-2, 2-3, 2-5, 4-3, 4-5

N

N11572 2-3
N13962 3-2
N19167 3-2
N19168 3-2
N19169 3-2
N19170 3-2
N19171 3-2
N19172 3-2
N19173 3-2
N19484 3-2
N19586 3-2
N19727 3-2
N19866 1-2, 1-4
N19965 1-4
N19966 1-4
N19967 1-4
N19968 1-4
N19969 1-4
N29065 5-3
N31601 4-3, 4-5
N34474 2-7
N34476 2-7
N34477 1-2
N34478 2-7
N34505 4-3

S

S-1175 1-2
S-1189 2-7
S-1197 2-5, 3-4
S-1203 2-7
S-1240 1-2
S-1292 2-7
S-1303 4-3
S-1311 3-3
S-3445 2-5
S-367 2-5
S-4730 2-3, 4-3, 4-5
S-748 2-3, 4-3
S-752 2-5, 3-3, 4-5
S34100 2-3

T

T-4832 2-7

V

V-3262 2-3
V-339 2-3
V-3465 2-3

W

W-131 1-2, 1-4, 2-5
W-1383 3-3
W-1416 3-3
W-1474 3-3
W-1475 3-3
W-1537 3-3
W-1538 3-3
W-1663 1-2
W-1854 1-2, 4-3, 4-5
W-187 2-5
W-4056 4-5
W-473 1-4
W-478 1-2, 2-3
W-479 4-3, 4-5
W-480 2-5
W-487 2-3
W-488 1-2
W-489 2-3
W-497 2-3
W-501 2-7
W-502 2-7
W-506 2-5, 3-4
W-509 2-5, 3-4
W-513 4-3
W-514 2-3, 4-3, 5-3
W-516 2-5, 2-7, 5-3
W-517 2-3, 2-5, 2-7
W-518 1-2, 2-5, 3-4
W-522 4-3
W-523 5-3
W-525 1-2, 2-5
W-526 2-3, 2-5, 2-7

W-527 1-2, 2-5, 3-4
W-529 1-2
W-533 1-2, 2-5
W-535 2-5, 4-5
W-539 1-2, 2-7, 5-3
W-619 4-3
W-629 2-7
W-7 1-2
W14434 2-3
W14504 4-3
W21476 1-2



CORPORATE OFFICE AND TRAINING CENTRE

2131 Airport Drive
Saskatoon, SK, Canada S7L 7E1
Tel: (306) 933-8585 Fax: (306) 933-8626
www.morris-industries.com

**MANUFACTURING AND
RESEARCH & DEVELOPMENT**

85 York Road Yorkton, SK, Canada S3N 3Z4
Tel: (306) 783-8585 Fax: (306) 782-5250

MANUFACTURING

284 - 6th Ave. N.W.
Minnedosa, MB, Canada R0J 1E0
Tel: (204) 867-2713 Fax: (204) 867-2678

UNITED STATES OFFICE

P.O. Box 1117
Minot, ND, USA 58702-1117
Tel: (701) 852-4171 Fax: (701) 838-9444

The policy of Morris Industries Ltd. is one of continuing improvement, therefore, the company reserves the right to change any specification without notice.

August 2008

Printed in Canada