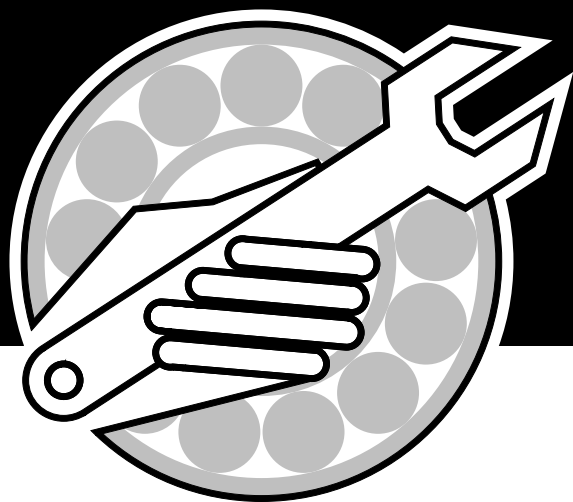




Parts Manual



Third Tank 7000 Series Air Cart

Part Number N29259-04

IMPORTANT:

ALL ITEMS ARE IDENTIFIED WITH A PART NUMBER. Some of the smaller parts such as bolts, nuts, washers, etc. are not all shown, however, the quantity used are listed in the text for that section which they fit into. That particular quantity is always the quantity required for one complete assembly.

Smaller parts, which are welded together to construct a larger part, are not to be ordered as individual pieces, unless they have a part number to identify them.

Contact your nearest dealer for genuine repair parts. Dealers carry ample stock and are backed by the manufacturer and regional associations.

MORRIS PAINT

Spray Cans:

Part Number	Description
W-4647	Red MORRIS Spray Can
W-4648	Blue MORRIS Spray Can
N31087	Sky White MORRIS Spray Can

Litre Cans:

Part Number	Description
Z-10	Red MORRIS Paint/Litre
Z-11	Blue MORRIS Paint/Litre
N28345	Red Urethane Kit - 3.78 Litre
N30406	Primer Urethane Kit - 3.78 Litre
N30476	Expoxy Kit - .946 Litre

Table of Contents

Section 1:	
Tanks & Handrails	1-1
Third Tank Assembly	1-2
Section 2:	
Drives	2-1
Standard Drive Assembly	2-2
Variable Rate Drive Assembly	2-4
Section 3:	
Metering & Distribution	3-1
Metering Body	3-2
Coated Metering Body	3-3
Tow Behind Distribution	3-4
Tow Between Distribution	3-5
Section 4:	
Monitor	4-1
Monitor & Blockage Module	4-2
Section 5:	
Variable Rate	5-1
Hydraulic System	5-2
Hydraulic Valve Manifold	5-3
Control System	5-4
Index	Index-i

Table of Contents

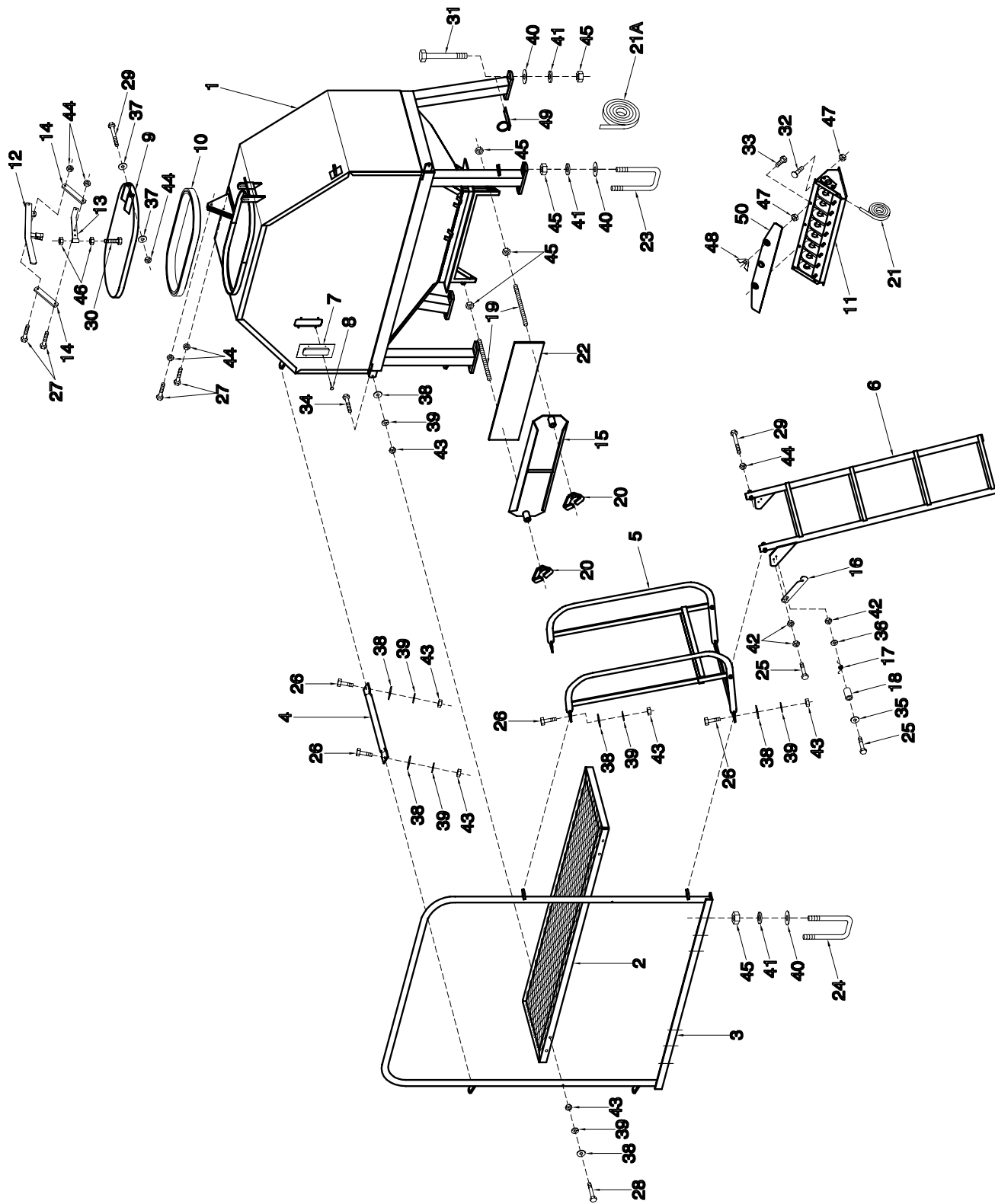
Notes

Section 1: Tanks & Handrails

Section Contents

Third Tank Assembly	1-2
---------------------------	-----

Tanks & Handrails Third Tank Assembly



Tanks & Handrails - Third Tank Assembly

Item	Part No.	Description	Qty
1	N29090	Tank - 3rd - 7032 (7130 & 7180)	1
	N30789	Tank - 3rd - 7042 (7180 Only)	1
	N29100	Tank - 3rd - 7042 (7240 & 7300)	1
2	N28185	Platform - 7030/7040/7032/7042	1
3	N28180	Guardrail - 7032 (7130 & 7180)	1
	N30793	Guardrail - 7042 (7180 Only)	1
	N28192	Guardrail - 7042 (7240 & 7300)	1
4	N28184	Guardbar	1
5	N28160	Handrail - 7032	1
	N28170	Handrail - 7042	1
6	N24792	Ladder - 4 Step	1
7	N19791	Sight Glass	1
8	N21450	Pop Rivet - 1/8 x 1/2 Lg - Closed Head	4
9	N27715	Lid - Tank	1
10	N19496	Lid Seal	1
11	N27100	Metering Body - 8 Outlet	1
12	N27710	Handle - Tank Lid	1
13	N19108	Link	1
14	N19109	Link	2
15	N27080	Door - Cleanout	1
16	N19211	Arm - Ladder Lock	1
17	D-5098	Spring	1
18	N19366	Bushing - 5/8	1
19	N27155	Redi-Rod - 1/2 x 8 1/2 Lg	2
20	N27360	Wing Locknut - 1/2	2
21	N15716	Seal Strip - 1/4 x 1 (Bulk/ft)	10.11ft
21A	N15716	Seal Strip - 1/4 x 1 (Bulk/ft)	2.55 ft
22	N19437	Seal Strip - 3/8 x 7 (Bulk/ft)	1 ft
23	N19646	U-Bolt - 1/2 x 4 3/4 x 7 3/8 - 7032 (7130 & 7180) & 7042 (7180 Only)	3
	N28163	U-Bolt - 1/2 x 4 3/4 x 9 3/8 - 7042 (7240 & 7300)	3
24	N28162	U-Bolt - 1/2 x 5 1/8 x 8 5/8 - 7032 (7130 & 7180) & 7042 (7180 Only)	2
	N28164	U-Bolt - 1/2 x 5 1/8 x 10 5/8 - 7042 (7240 & 7300)	2
25	W-472	Hex Bolt - 5/16 x 1 1/4 Lg	2
26	W-187	Hex Bolt - 3/8 x 1 1/4 Lg	6
27	W-619	Hex Bolt - 3/8 x 1 3/4 Lg	4
28	W-478	Hex Bolt - 3/8 x 2 Lg	2
29	C-3918	Hex Bolt - 3/8 x 5 Lg	3
30	N19127	Lid Bolt - 1/2	1
31	W-3687	Hex Bolt - 1/2 x 8 Lg - 7032 (7130 & 7180) & 7042 (7180 Only)	2
	N28165	Hex Bolt - 1/2 x 10 Lg - 7042 (7240 & 7300)	2
32	D-5259	Carriage Bolt - 5/16 x 3/4 Lg	5
33	N29048	Hex Bolt - 5/16 x 1 Lg - Stainless Steel	2
34	W-477	Hex Bolt - 3/8 x 1 1/2 Lg	2
35	D-5488	Flatwasher - 5/16	1
36	W-522	Lockwasher - 5/16	1
37	D-5489	Flatwasher - 3/8	2
38	D-5579	Flatwasher - 3/8 ID x 1 OD x 16 Ga	10
39	W-523	Lockwasher - 3/8	10
40	S-1925	Flatwasher - 1/2 ID x 1 1/16 OD x 13 Ga	12
41	W-525	Lockwasher - 1/2	12
42	W-513	Hex Nut - 5/16	3
43	W-514	Hex Nut - 3/8	10
44	M-3388	Locknut - 3/8 Unitorque	7
45	W-516	Hex Nut - 1/2	16
46	S-1292	Jam Nut - 1/2	2
47	D-5278	Locknut - 3/8 Unitorque	7
48	N29049	Wingnut - 5/16 Stainless Steel	2
49	N28663	Guide - Wire	1
50	N28831	Cover Plate - Meter Body (For Fine Seeds)	1
	N27591	Decal - "Morris" With Stripe - 81 1/2 Lg (Not Shown)	1
	N29099	Rate Chart Decal - "Slow Speed Drive" (Not Shown)	1
	N29201	Rate Chart Decal - "Slow Speed Drive" (Not Shown - Metric)	1
	N19025	Decal - Important "Filling Tank" (Not Shown)	1
	N15094	Decal - Caution (Not Shown)	1
	N21604	Decal - Important "Prevent Corrosion" (Not Shown)	1
	N34477	Reflector - Amber (Not Shown)	4

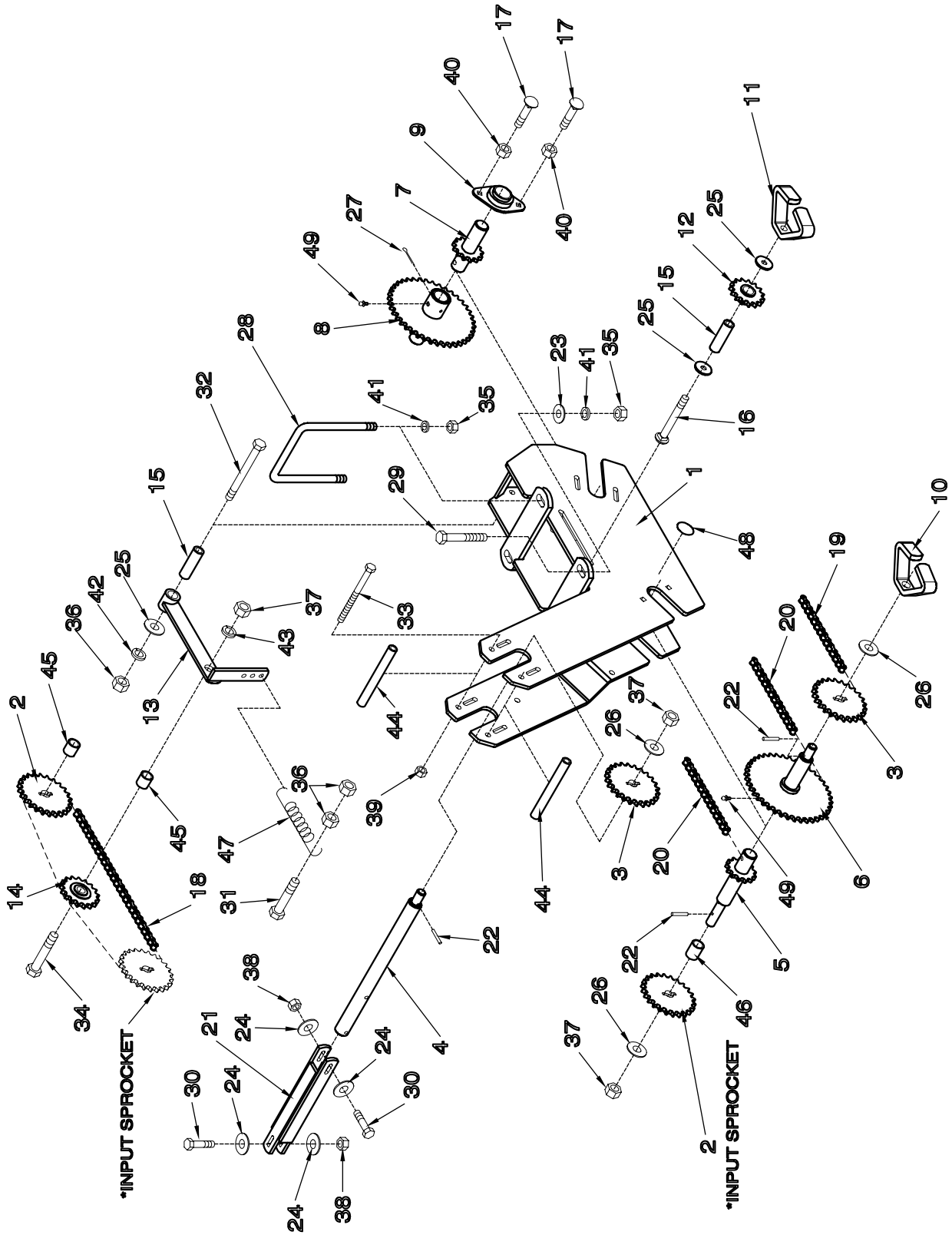
Notes

Section 2: Drives

Section Contents

Standard Drive Assembly	2-2
Variable Rate Drive Assembly	2-4

Drives Standard Drive Assembly



Drives - Standard Drive Assembly

Item	Part No.	Description	Qty
1	N29097	Transmission - Fertilizer Applicator	1
2	N27424	Sprocket - 40A24 (Input Sprocket)	2
3	N27425	Sprocket - 40A25	2
4	N27402	Shaft - Meter End - (P-Drive)	1
5	N27403	Shaft - Slow Speed - 13T - (P-Drive)	1
6	N27404	Shaft - Slow Speed - 40T - (P-Drive)	1
7	N27405	Shaft - Reducer - 13T - (P-Drive)	1
8	N27406	Shaft - Reducer - 40T - (P-Drive) (Bushing - N16853)	1
9	N27411	Flangette Bearing - 1 Bore (Sp)	6
10	N27370	Wing Locknut - 5/8	1
11	N27350	Wing Locknut - 3/8	1
12	D-5234	Nylon Idler - #40B15	1
13	N21672	Idler Arm	1
14	D17808	Sprocket - Idler - 40A17 - 5/8 Bore	1
15	N19460	Bushing - 2 1/2 Lg	2
16	N19283	Carriage Bolt - 3/8 x 3 1/2 Lg	1
17	D-5259	Carriage Bolt - 5/16 x 3/4 Lg	12
18	N19785	Chain - #40 x 127 Link W/Connector & Offset - (7032 & 7042 For 7130 & 7180)	1
	N29478	Chain - #40 x 163 Link W/Connector & 3 Offset - (7042 For 7240 & 7300)	1
19	N29142	Chain #40 x 102 Link W/Connector	1
20	N16113	Chain #40 x 69 Link W/Connector & Offset	2
21	N21288	Coupler - Metering - 7 15/16 Lg	1
22	N27395	Drive Pin - 3/16 x 1 Lg	3
23	S-1925	Flatwasher - 1/2 ID x 1 1/16 OD x 13 Ga	2
24	S-1198	Flatwasher - 1/4	4
25	N19706	Flatwasher - 3/8 ID x 1 1/4 OD	3
26	W-793	Flatwasher - 5/8	3
27	P1318510	Hair Pin #19 - 0.243 x 4 3/8	1
28	N28162	U-Bolt - 1/2 x 5 1/8 x 8 5/8 - (7032 & 7042 For 7130 & 7180)	1
	N28164	U-Bolt - 1/2 x 5 1/8 x 10 5/8 - (7042 For 7240 & 7300)	1
29	W-3687	Hex Bolt - 1/2 x 8 Lg - (7032 & 7042 For 7130 & 7180)	2
	N28165	Hex Bolt - 1/2 x 10 Lg - (7042 For 7240 & 7300)	2
30	N22777	Hex Bolt - 1/4 x 2 1/4	2
31	W-480	Hex Bolt - 3/8 x 2 1/2 Lg	1
32	W-481	Hex Bolt - 3/8 x 3 1/2 Lg	1
33	N29158	Hex Bolt - 3/8 x 6 1/2 Lg	2
34	W-501	Hex Bolt - 5/8 x 2 1/2	1
35	W-516	Hex Nut - 1/2	4
36	W-514	Hex Nut - 3/8	3
37	W-517	Hex Nut - 5/8	3
38	N22778	Locknut - 1/4 - Nylon Insert	2
39	D-5279	Locknut - 3/8 - Serrated	2
40	D-5278	Locknut - 5/16 Serrated	12
41	W-525	Lockwasher - 1/2	2
42	W-523	Lockwasher - 3/8	1
43	W-526	Lockwasher - 5/8	1
44	N29487	Spacer - 5/8 OD x 5 1/2 Lg	2
45	N19577	Spacer - 7/8	2
46	N29200	Spacer - 7/8 OD x 1 1/8 Lg	1
47	W-1663	Spring - 23/32 OD x 7 9/16 Lg	1
48	C25809	Decal - "Grease 50 Hrs"	2
49	S-752	Grease Zerk - 1/4	2
50	N27864	Decal - "Slow Speed" 7000 Series - (Not Shown)	1

Drives - Variable Rate Drive Assembly

Item	Part No.	Description	Qty
1	N29097	Transmission - Fertilizer Applicator	1
2	D10747	Sprocket - 40B48	2
3	D17946	Sprocket - 40B12	1
4	N29338	Sprocket - 40B24	1
5	N29342	Shaft - Meter End - (P-Drive)	1
6	N29340	Shaft - Slow Speed - (V-Drive) (Bushing - N16853)	2
7	N29341	Shaft - Slow Speed - (V-Drive)	1
8	N29345	Shaft - Slow Speed - 12T - (V-Drive)	1
9	N27411	Flangette Bearing - 1 Bore (Sp)	5
10	N29296	Metershaft Sensor Bracket	1
11	N29307	Hall Effect Sensor	1
12	N29319	Hydraulic Motor - Danfoss (Seal Kit N32517)	1
13	N29371	Hydraulic Motor Shim - 12 Ga	1
14	N19785	Chain - #40 x 127 Link W/2 Conn - 2 Pcs	1
15	N29368	Chain - #40 x 73 Link W/2 Conn - 2 Pcs	1
16	N21288	Coupler - Metering - 7 15/16 Lg	1
17	N29375	Drive Pin - 5/16 x 1 1/2	1
18	D-5260	Carriage Bolt - 3/8 x 1 1/4 Lg	1
19	D-5259	Carriage Bolt - 5/16 x 3/4 Lg	10
20	S-1198	Flatwasher - 1/4	4
21	S-1925	Flatwasher - 1/2 ID x 1 1/16 OD x 13 Ga	2
22	P1318510	Hair Pin - #19 - 0.243 x 4 3/8	1
23	N28162	U-Bolt - 1/2 x 5 1/8 x 8 5/8 - (7032 & 7042 For 7130 & 7180)	1
	N28164	U-Bolt - 1/2 x 5 1/8 x 10 5/8 - (7042 For 7240 & 7300)	1
24	N22777	Hex Bolt - 1/4 x 2 1/4	2
25	W-469	Hex Bolt - 1/4 x 3/4	1
26	N29158	Hex Bolt - 3/8 x 6 1/2 Lg	2
27	W-488	Hex Bolt - 1/2 x 2 Lg	2
28	W-3687	Hex Bolt - 1/2 x 8 Lg - (7032 & 7042 For 7130 & 7180)	2
	N28165	Hex Bolt - 1/2 x 10 Lg - (7042 For 7240 & 7300)	2
29	W-516	Hex Nut - 1/2	6
30	N22778	Locknut - 1/4 - Nylon Insert	2
31	D-5278	Locknut - 5/16 - Serrated	10
32	D-5279	Locknut - 3/8 - Serrated	3
33	W-525	Lockwasher - 1/2	6
34	N29487	Spacer - 5/8 OD x 5 1/2 Lg	2
35	C25809	Decal - "Grease 50 Hrs"	2
36	S-752	Grease Zerk - 1/4	2
37	D-5277	Locknut - 1/4 - Serrated	1
38	S10730	Key - 1/4 x 1 1/4	4
39	N29311	Chain Guard	1
40	N29317	Chain Guard Pin	3
41	S27987	Locknut - 3/8 - Flanged	3
42	N29318	Hair Pin- #7 - 0.0938 x 2 5/16	3
43	D-5234	Idler Sprocket	1
44	N19706	Flatwasher - 3/8	2
45	N29399	Bushing -3 1/8 Lg	1
46	N29398	Carriage Bolt - 3/8 x 4	1
47	W-523	Lockwasher - 3/8	1
48	W-514	Hex Nut - 3/8	1
49	N27864	Decal - "Slow Speed" 7000 Series - (Not Shown)	1

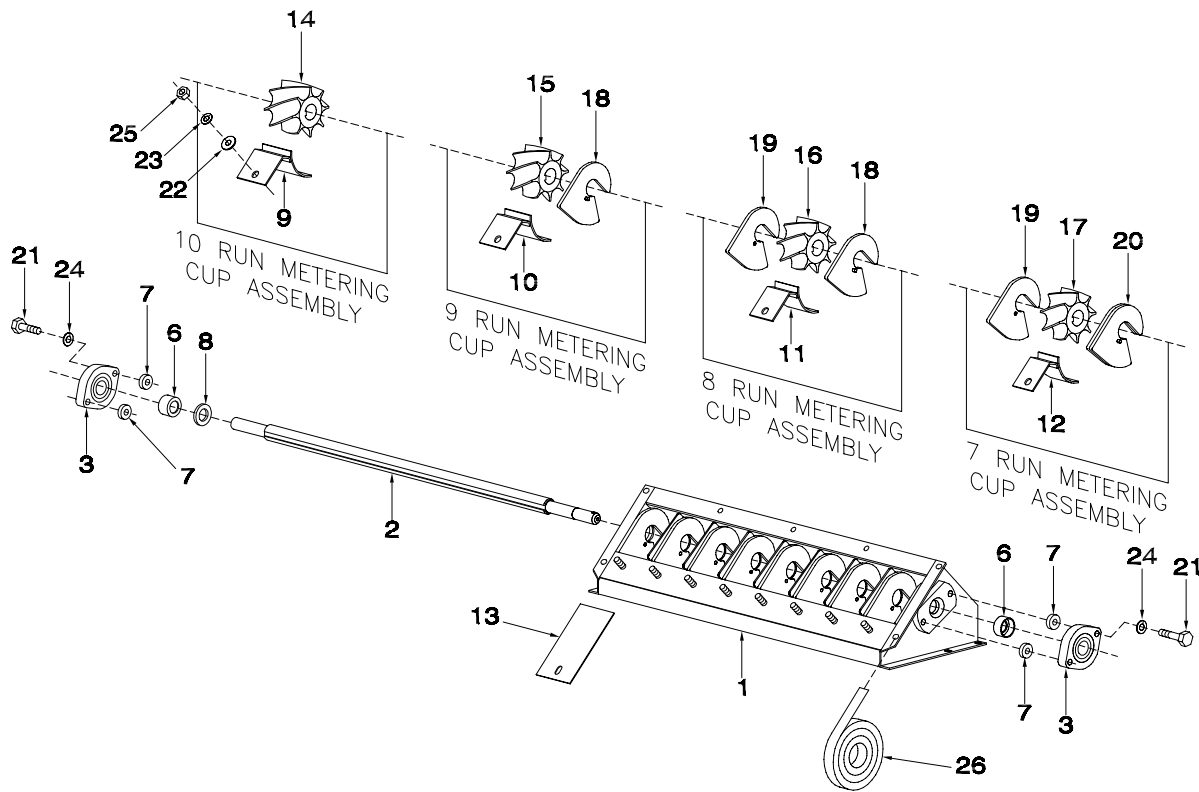
Notes

Section 3: Metering & Distribution

Section Contents

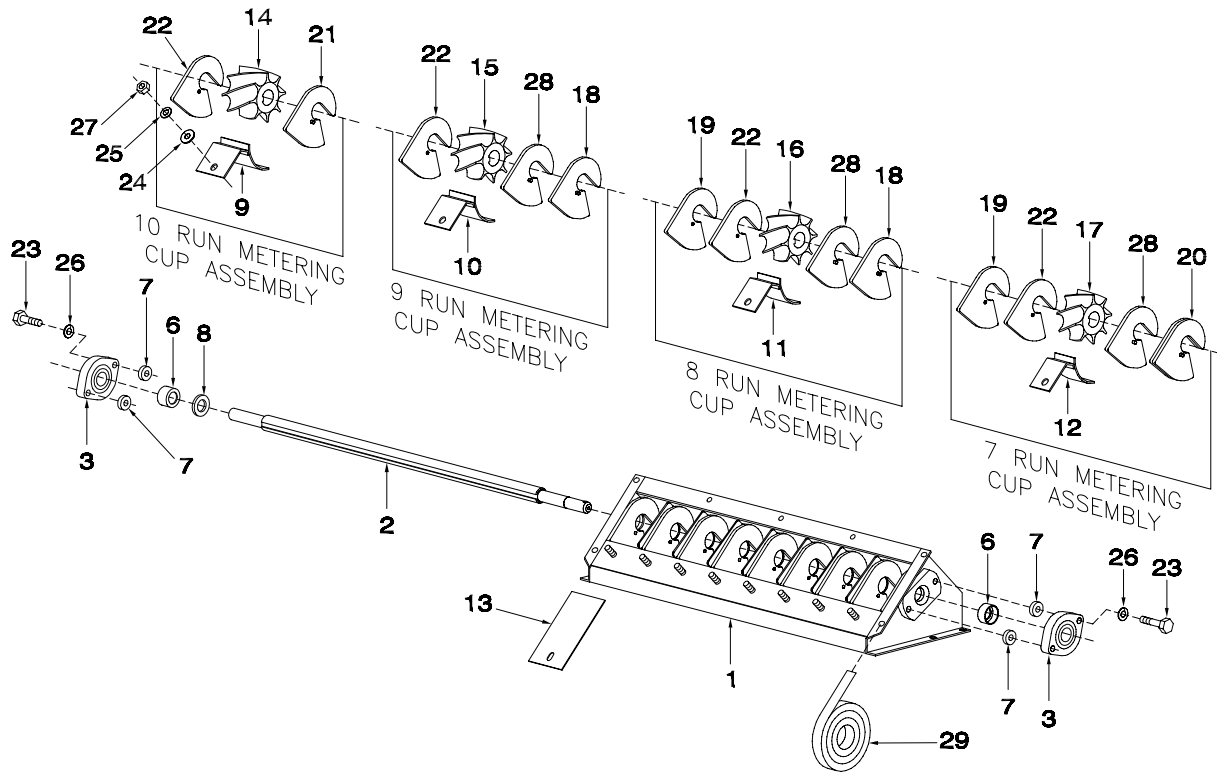
Metering Body	3-2
Coated Metering Body	3-3
Tow Behind Distribution	3-4
Tow Between Distribution	3-5

Metering & Distribution Metering Body



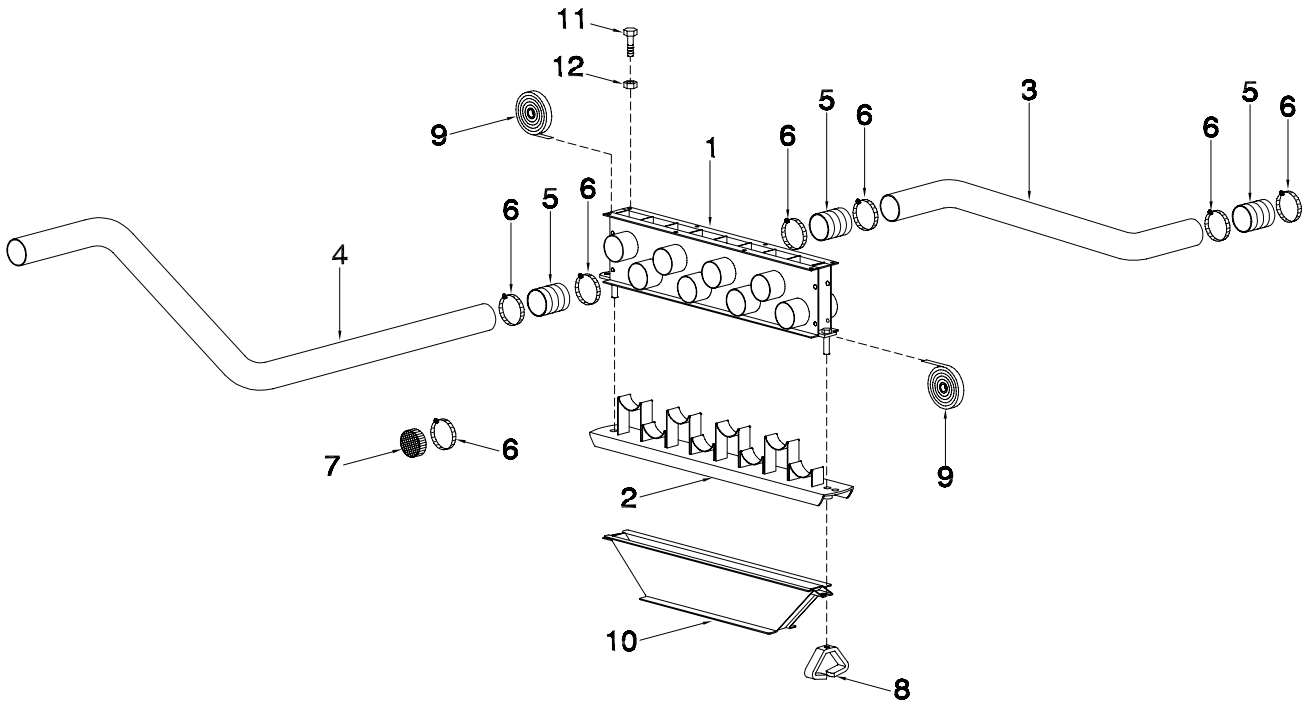
Item	Part No.	Description	Qty
1	N27100	Metering Body	1
2	N19687	Metering Shaft - 8 Outlet	1
3	N19269	Bearing Assembly - NTN - 2 Bolt Flange	2
6	N21659	Seal	2
7	N21602	Spacer	4
8	N21612	Backing Washer	1
9	N27090	Slider - #10 Wheel	As req
10	N27089	Slider - #9 Wheel	As req
11	N27088	Slider - #8 Wheel	As req
12	N27087	Slider - #7 Wheel	As req
13	N27605	Cover - Blank Off	As req
14	N42130	Wheel - #10 Metering (Cream Colored) (2.50 width)	As req
15	N42129	Wheel - #9 Metering (Cream Colored) (2.25 width)	As req
16	N42128	Wheel - #8 Metering (Cream Colored) (2.00 width)	As req
17	N42127	Wheel - #7 Metering (Cream Colored) (1.75 width)	As req
18	N27099	Spacer Plate - #9 Wheel (Single - Left)	As req
19	N27098	Spacer Plate - #8 Wheel (Single - Right)	As req
20	N27097	Spacer Plate - #7 Wheel (Double - Left)	As req
	N28492	Roll Pin - used in Spacer Plates (Not Shown)	As req
21	W-477	Hex Bolt - 3/8 x 1 1/2 Lg	4
22	D-5488	Flatwasher - 5/16	8
23	W-522	Lockwasher - 5/16	8
24	W-523	Lockwasher - 3/8	4
25	N15114	Hex Nut - 5/16 Stainless Steel	8
26	N15716	Seal Strip - 1/4 x 1 x 152 Lg (Bulk/Ft)	8 ft
	N28831	Cover Plate - Shown on Hopper Assemblies	

Metering & Distribution Coated Metering Body



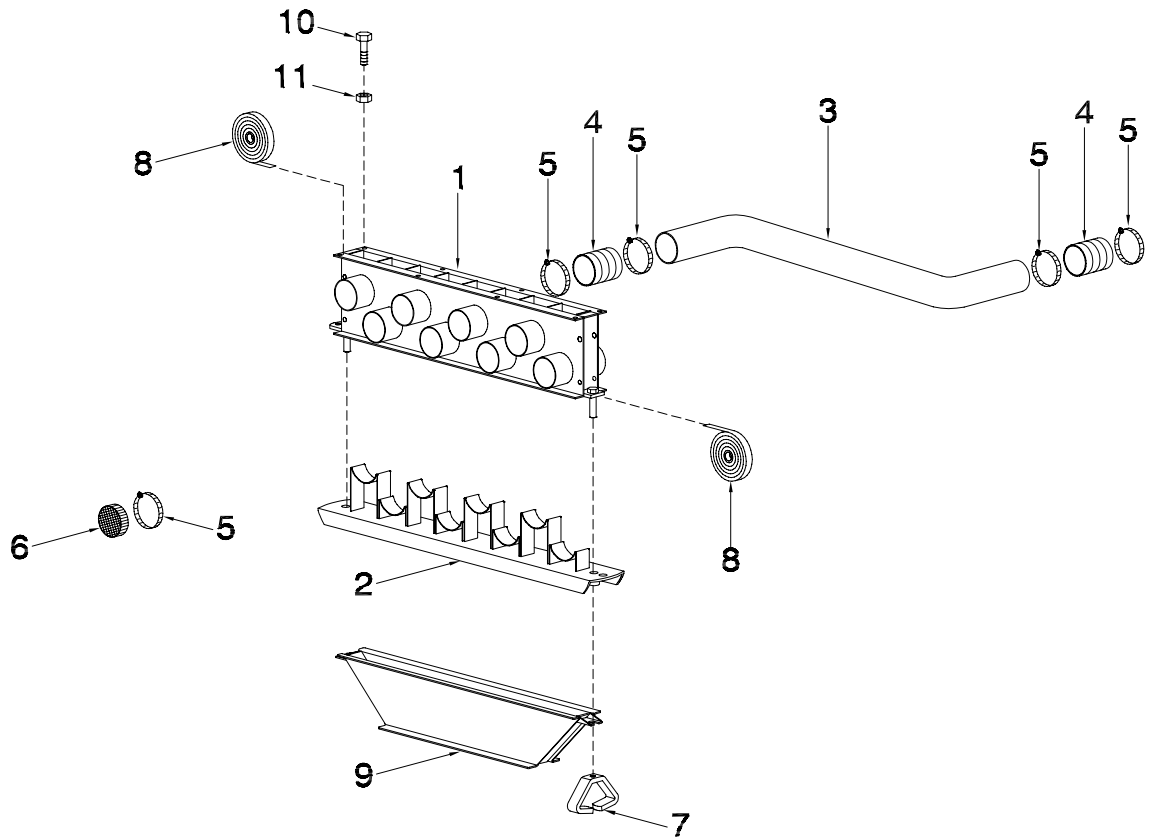
Item	Part No.	Description	Qty
1	N28928	Metering Body	1
2	N19687	Metering Shaft - 8 Outlet	1
3	N19269	Bearing Assembly - NTN - 2 Bolt Flange	2
6	N21659	Seal	2
7	N21602	Spacer	4
8	N21612	Backing Washer	1
9	N27090	Slider - #10 Wheel	As req
10	N27089	Slider - #9 Wheel	As req
11	N27088	Slider - #8 Wheel	As req
12	N27087	Slider - #7 Wheel	As req
13	N27605	Cover - Blank Off	As req
14	N42130	Wheel - #10 Metering (Cream Colored) (2.50 width)	As req
15	N42129	Wheel - #9 Metering (Cream Colored) (2.25 width)	As req
16	N42128	Wheel - #8 Metering (Cream Colored) (2.00 width)	As req
17	N42127	Wheel - #7 Metering (Cream Colored) (1.75 width)	As req
18	N27099	Spacer Plate - #9 Wheel (Single - Left)	As req
19	N27098	Spacer Plate - #8 Wheel (Single - Right)	As req
20	N27097	Spacer Plate - #7 Wheel (Double - Left)	As req
21	N28927	Plastic Spacer - Wheel (Left)	8
22	N28929	Plastic Spacer - Wheel (Right)	1
	N28492	Roll Pin - Used in Spacer Plates (Not Shown)	As req
23	W-477	Hex Bolt - 3/8 x 1 1/2 Lg	4
24	D-5488	Flatwasher - 5/16	8
25	W-522	Lockwasher - 5/16	8
26	W-523	Lockwasher - 3/8	4
27	N15114	Hex Nut - 5/16 Stainless Steel	8
28	N28924	Plastic Spacer - Wheel (Without Pin)	7
29	N15716	Seal Strip - 1/4 x 1 x 152 Lg (Bulk/Ft)	8 ft
	N29457	Kit Coated Metering Body Assy (Includes 1, 2, 3, 6, 21, 22, 28 & 29)	

Metering & Distribution Tow Behind Distribution



Item	Part No.	Description	No: Used					
			21-30 Runs	31-40 Runs	41-50 Runs	51-60 Runs	61-70 Runs	71-80 Runs
1	N19690	Collector - 8 Outlet	1	1	1	1	1	1
2	N19693	Cover - Cleanout - 8 Outlet	1	1	1	1	1	1
3	N29101	Tube - Primary - 29 (7032 & 7042 For 7130 & 7180)	3	4	5	6	7	8
	N29128	Tube - Primary - 37 (7042 For 7240 & 7300)	3	4	5	6	7	8
4	N29102	Tube - Primary - 42 (7032 & 7042 For 7130 & 7180)	3	4	5	6	7	8
	N29108	Tube - Primary - 44 (7042 For 7240 & 7300)	3	4	5	6	7	8
5	N19428	Hose - 2.54 ID x 2.79 OD x 5	6	8	10	12	14	16
6	N11905	Hose Clamp - 2 1/2	22	24	26	28	30	32
7	N11907	Plastic Cap - 2 1/2	10	8	6	4	2	-
8	N27360	Wing Nut - 1/2	2	2	2	2	2	2
9	N19449	Seal Strip - 3/8 x 1 (Bulk/ft)	5 ft	5 ft	5 ft	5 ft	5 ft	5 ft
10	N29107	Collector Extension	1	1	1	1	1	1
	N40505	Collector Extension (2 Meter Controlled Traffic Only)	1	1	1	1	1	1
11	F-1767	Hex Bolt - 5/16 x 3/4 Lg	8	8	8	8	8	8
12	D-5278	Locknut Serrated - 5/16	8	8	8	8	8	8

Metering & Distribution Tow Between Distribution



Item	Part No.	Description	No: Used					
			21-30 Runs	31-40 Runs	41-50 Runs	51-60 Runs	61-70 Runs	71-80 Runs
1	N19690	Collector - 8 Outlet.....	1	1	1	1	1	1
2	N19693	Cover - Cleanout - 8 Outlet	1	1	1	1	1	1
3	N29101	Tube - Primary - 29 (7032).....	3	4	5	6	7	8
	N29128	Tube - Primary - 37 (7042).....	3	4	5	6	7	8
4	N19428	Hose - 2.54 ID x 2.79 OD x 5	6	8	10	12	14	16
5	N11905	Hose Clamp - 2 1/2	22	24	26	28	30	32
6	N11907	Plastic Cap - 2 1/2	10	8	6	4	2	-
7	N27360	Wing Nut - 1/2	2	2	2	2	2	2
8	N19449	Seal Strip - 3/8 x 1 (Bulk/ft)	5 ft	5 ft	5 ft	5 ft	5 ft	5 ft
9	N29107	Collector Extension	1	1	1	1	1	1
	N40505	Collector Extension (2 Meter Controlled Traffic Only)	1	1	1	1	1	1
10	F-1767	Hex Bolt - 5/16 x 3/4 Lg	8	8	8	8	8	8
11	D-5278	Locknut Serrated - 5/16	8	8	8	8	8	8

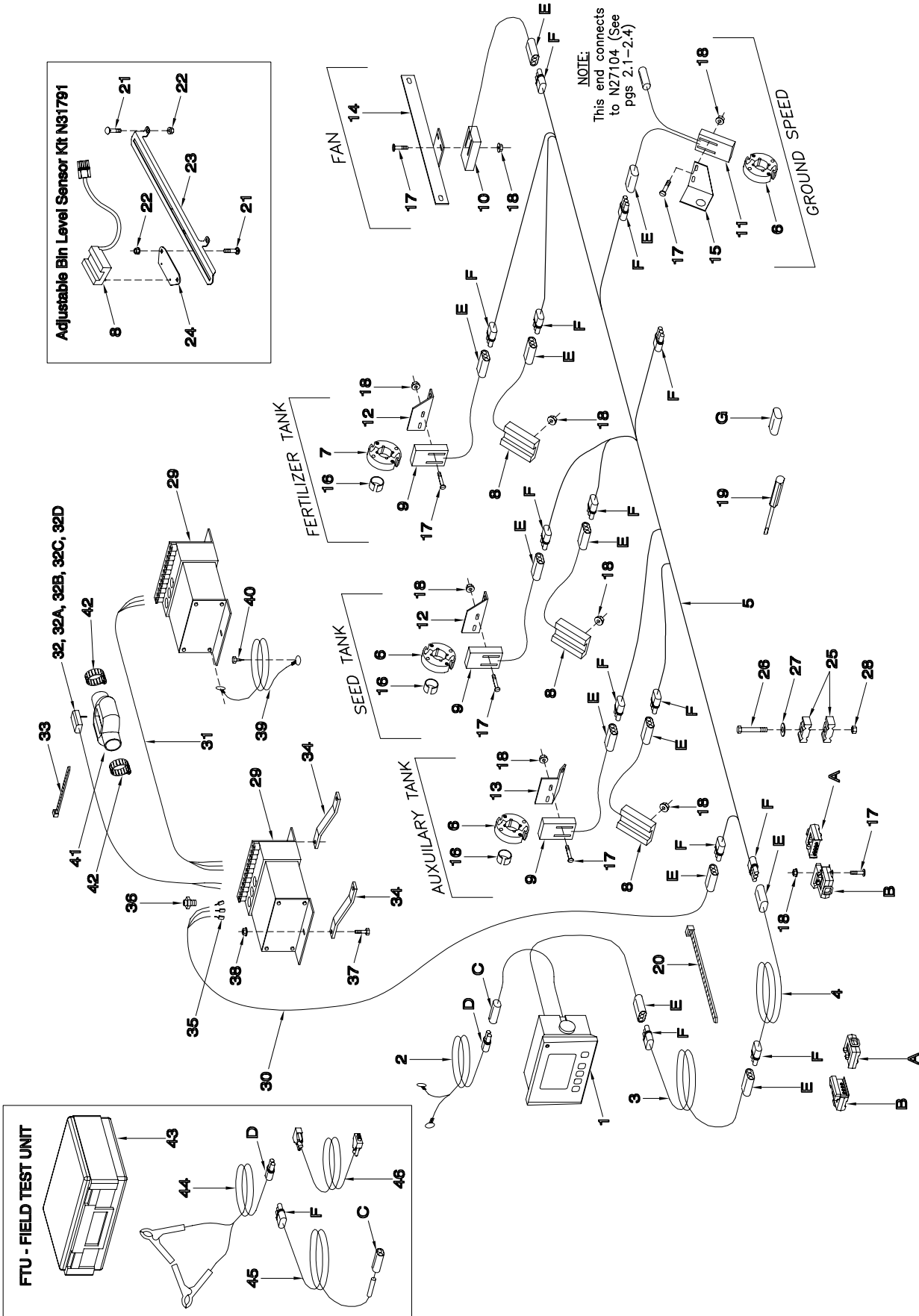
Notes

Section 4: Monitor

Section Contents

Monitor & Blockage Module	4-2
---------------------------------	-----

Monitor Monitor & Blockage Module



Monitor - Monitor & Blockage Module

Item	Part No.	Description	Qty
Monitor Assembly			
1	N27010	Monitor - NEW	1
	N27010R	Monitor - REBUILT	
2	N27609	Power Cable - Monitor	1
3	N32470	Wire - Monitor Extension - 21 (Weather Pak)	1
	N27608	Wire - Monitor Extension - 21 (Brylite)	1
4	N32471	Wire - Monitor Extension - 37 1/2 (Weather Pak) Tow Behind ONLY	1
	N28199	Wire - Monitor Extension - 37 1/2 (Brylite) Tow Behind ONLY	1
5	N32472	Harness - Monitor (Weather Pak) 7130 / 7180 Tow Behind	1
	N27006	Harness - Monitor (Brylite) 7130 / 7180 Tow Behind	1
	N32474	Harness - Monitor (Weather Pak) 7240 / 7300 Tow Behind	1
	N27008	Harness - Monitor (Brylite) 7240 / 7300 Tow Behind	1
	N32473	Harness - Monitor (Weather Pak) 7180 Tow Between	1
	N27007	Harness - Monitor (Brylite) 7180 Tow Between	1
	N32475	Harness - Monitor (Weather Pak) 7240 Tow Between	1
	N27009	Harness - Monitor (Brylite) 7240 Tow Between	1
	N32476	Harness - Monitor (Weather Pak) 7252 Tow Behind	1
	N31550	Harness - Monitor (Brylite) 7252 Tow Behind	1
	N32477	Harness - Monitor (Weather Pak) 7252 Tow Between	1
	N31551	Harness - Monitor (Brylite) 7252 Tow Between	1
6	N16471	Reed Switch Actuator - 4 Magnet	3
7	N16473	Reed Switch Actuator - 2 Magnet	1
8	N27616	Sensor - Bin Level c/w Gasket	3
9	N27617	Reed Switch	3
10	N27618	Magnetic Sensor - Fan	1
11	N27619	Reed Switch - Ground	1
12	N19450	Sensor Mount - Metershaft - Main	2
13	N21671	Sensor Mount - Metershaft - Granular	1
14	N16565	Sensor Mount - Fan	1
15	N27621	Sensor Mount - Main Switch - Ground	1
16	N19599	Bushing - Spacer	3
17	N16563	Machine Screw - #8 - 32 UNC x 1 1/4 Lg	14
18	N16564	Serrated Locknut - #8 - 32 UNC	20
19	N27625	Assembly Tool - Packard Connector	1
20	D-4838	Nylon Tie Strap - 14 1/2 Lg (Black)	1
21	D-5259	Carriage Head Bolt - 5/16 x 3/4	6
22	D-5278	Serrated Nut - 5/16	6
23	N31792	Adjustment Plate	1
24	N31790	Base Plate	1
25	C-4698	Nylon Clamp	2
26	W-479	Hex Head Bolt - 3/8 x 2 1/4	1
27	W-538	Flat Washer - 3/8	1
28	M-3388	Lock Nut - 3/8	1
Blockage Module Assembly			
29	N27624	Module - Blockage	As req
30	N27623	Wire - Blockage Module (Required for 1st Module ONLY)	1
31	N16474	Wire - Connector - Blockage Module (Req'd for subsequent Modules)	As req
32	N28487	Pin Sensor - 5 ft Lg	As req
32A	N28488	Pin Sensor - 10 ft Lg	As req
32B	N28489	Pin Sensor - 15 ft Lg	As req
32C	N28490	Pin Sensor - 20 ft Lg	As req
32D	N28491	Pin Sensor - 30 ft Lg	As req
33	N34263	Nylon Tie Strap - 11 1/2 Lg (Qty per Pin Sensor)	1
34	N21520	Bracket - Mount (Qty per Blockage Module)	2
35	N21654	Female Connector - 18 Ga Fast-On (Qty per Blockage Module)	6
36	N21653	Module Wire Retainer (Qty per Blockage Module)	2
37	W-469	Hex Bolt - 1/4 x 3/4 Lg (Qty per Blockage Module)	2
38	D-5277	Serrated Locknut - 1/4 (Qty per Blockage Module)	2
39	N31049	Wire - Ground - Blockage Module (Qty per Blockage Module)	1
40	N16698	Screw - 1/4 x 3/4 Self Tapping (Qty per Blockage Module)	1
41	N29735	Sensor Bubble w/clamps	As req
42	N11470	Clamp	As req
FTU - Field Test Unit			
43	N27119	FTU - Field Test Unit	1
44	N32492	Power Cable - FTU - 10 ft - Test Clip	1
45	N32491	Power Cable - 3 ft - Main	1
46	N32494	Adaptor Cable - FTU - for PC	1
47	N34177	FTU - Operation Manual (Not Shown)	1
Blockage Module Kits and Replacement Parts on Next Page			

Monitor - Monitor & Blockage Module

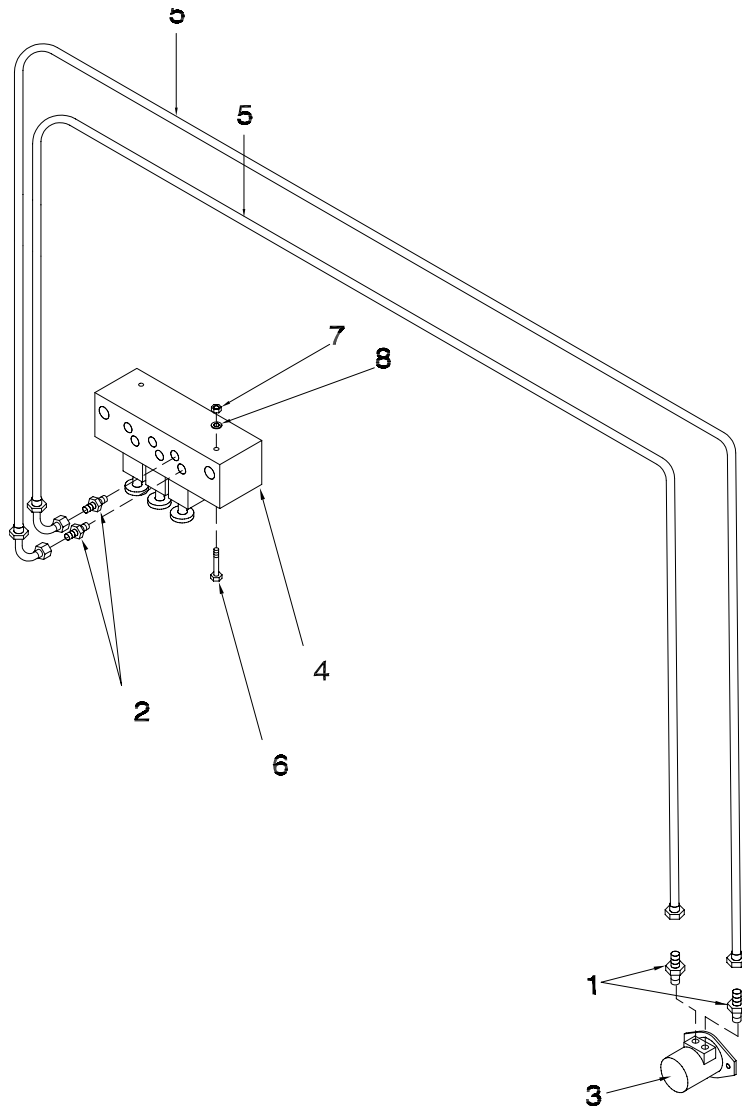
Item	Part No.	Description	Qty
		Replacement Connectors	
A	N21538	Brylite Connector - 4 Pin Male	
B	N21539	Brylite Connector - 4 Pin Female	
C	N29384	Weather Pak Connector - BLACK - 2 Pin Plug (Shroud)	
D	N29385	Weather Pak Connector - BLACK - 2 Pin Socket (Tower)	
E	N27613	Weather Pak Connector - BLACK - 3 Pin Plug (Shroud)	
F	N27614	Weather Pak Connector - BLACK - 3 Pin Socket (Tower)	
G	N27615	Seal Connector - BLACK - 3 Pin Plug	
H	N29151	Weather Pak Connector - BLACK - 4 Pin Plug (Shroud)	
I	N29152	Weather Pak Connector - BLACK - 4 Pin Socket (Tower)	
J	N29153	Seal Connector - BLACK - 4 Pin Plug	
K	N28901	Weather Pak Connector - BLUE - 3 Pin Plug (Shroud)	
L	N28902	Weather Pak Connector - BLUE - 3 Pin Socket (Tower)	
M	N29143	Seal Connector - BLUE - 3 Pin Plug	
N	N28903	Weather Pak Connector - RED - 3 Pin Plug (Shroud)	
O	N28904	Weather Pak Connector - RED - 3 Pin Socket (Tower)	
P	N29144	Seal Connector - RED - 3 Pin Plug	
Q	N28905	Weather Pak Connector - WHITE - 3 Pin Plug (Shroud)	
R	N28906	Weather Pak Connector - WHITE - 3 Pin Socket (Tower)	
S	N29145	Seal Connector - WHITE - 3 Pin Plug	
	N29147	Seal - Weather Pak - Cavity Plug (Not Shown)	
	N29148	Seal -Weather Pak - Wire Plug (Not Shown)	
	N29149	Terminal - Weather Pak - Male End (Not Shown)	
	N29150	Terminal - Weather Pak - Female End (Not Shown)	
		Replacement Parts (Not Shown)	
	N24391	Fuse Holder & Cap (Installed in Clutch Switch Box N27011)	
	N30575	Circuit Breaker FC-191-05-15-P (Installed in Item #1, Versions 1.1 to 1.3)	
	N24302	Magnet Only - 1/4 Round x 3/4 Lg (Installed in Items #6 & 7) - pairs only	
	N28671	Mount Bracket - Monitor - #VM253501	
	N29833	Knob for Monitor Mount Bracket - #103302	
		Blockage Module Kits	
	N27606	Blockage Module Kit (Includes Items #25, 30, 31, 32, 33, 34, 35 & 36)	
	N30659	5 ft Pin Sensor Kit (Includes Items #28 & 29)	
	N30660	10 ft Pin Sensor Kit (Includes Items #28A & 29)	
	N30661	15 ft Pin Sensor Kit (Includes Items #28B & 29)	
	N30662	20 ft Pin Sensor Kit (Includes Items #28C & 29)	
	N30663	30 ft Pin Sensor Kit (Includes Items #28D & 29)	
	N35530	Kit 5 ft Pin Sensor w/ Bubble (Includes Items #28, 29 & 37)	
	N35531	Kit 10 ft Pin Sensor w/ Bubble (Includes Items #28A, 29 & 37)	
	N35532	Kit 15 ft Pin Sensor w/ Bubble (Includes Items #28B, 29 & 37)	
	N35533	Kit 20 ft Pin Sensor w/ Bubble (Includes Items #28C, 29 & 37)	
	N35534	Kit 30 ft Pin Sensor w/ Bubble (Includes Items #28D, 29 & 37)	
		ORDER KITS THROUGH WHOLEGOODS ONLY	

Section 5: Variable Rate

Section Contents

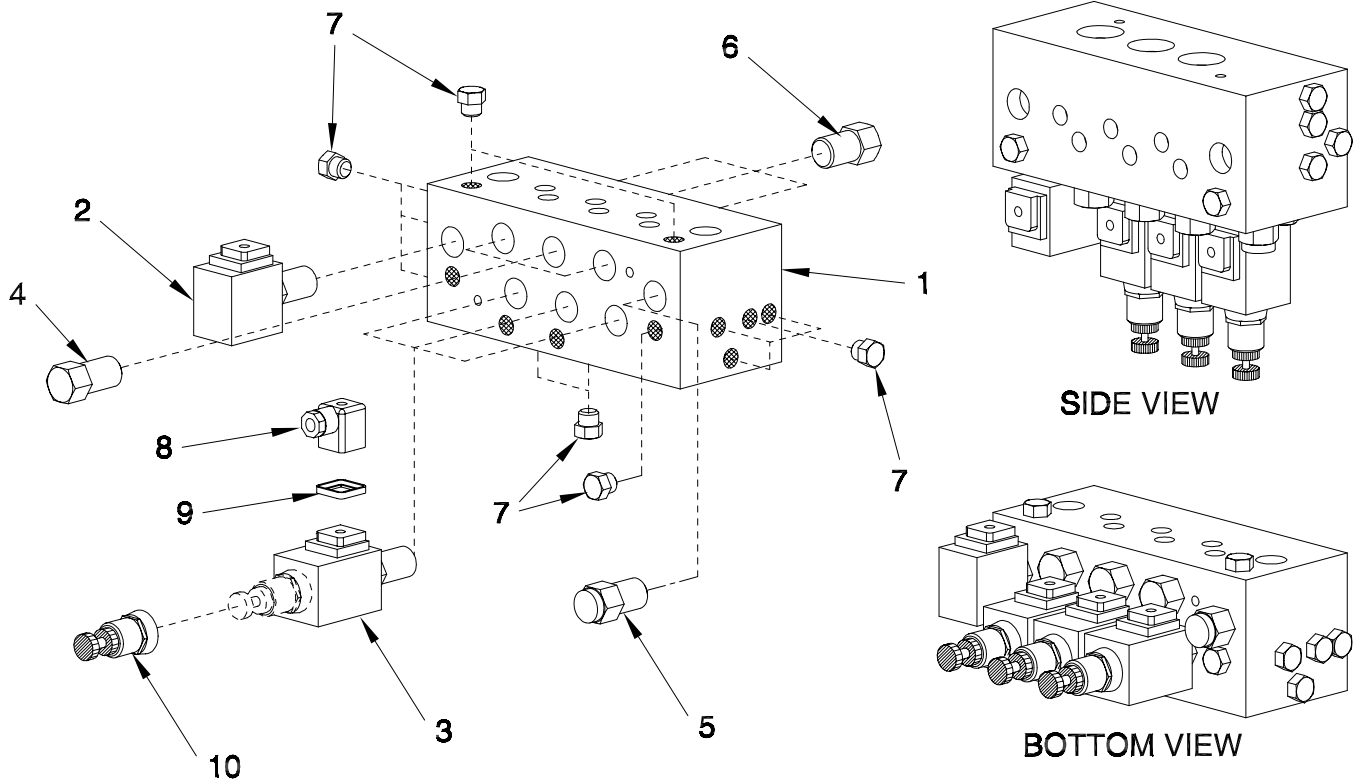
Hydraulic System	5-2
Hydraulic Valve Manifold	5-3
Control System	5-4

Variable Rate System Hydraulic System



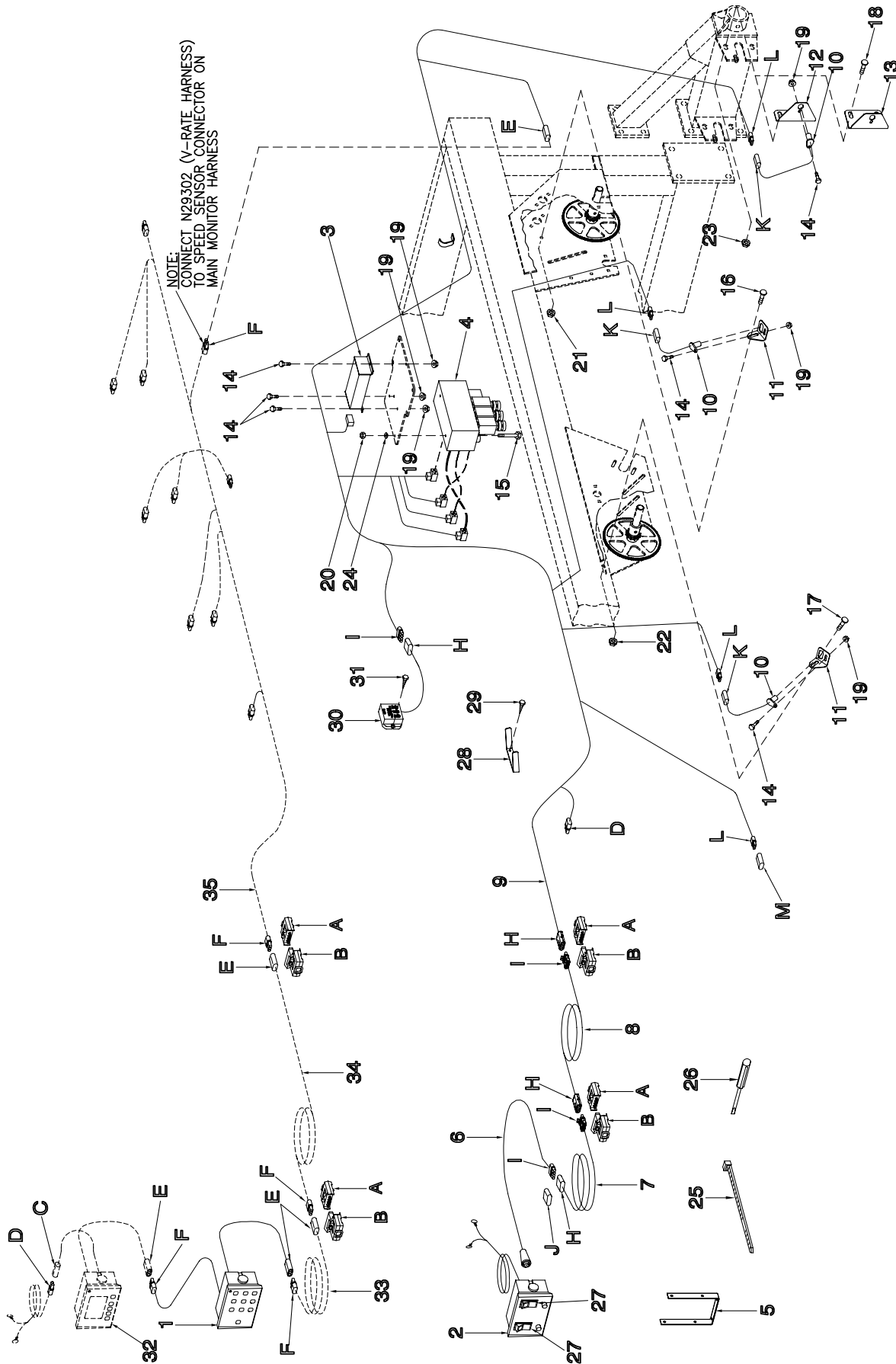
Item	Part No.	Description	Qty
1	N29359	Connector - 3/4-16 MJIC x 7/8-14 MORB	6
2	N29358	Connector - 3/4-16 MJIC x 9/16-18 MORB	6
3	N29319	Hydraulic Motor - Danfoss (Seal Kit N32517)	3
4	N29320	Valve Manifold Assembly	1
5	N29363	Hyd Hose - 3/8 x 60 Lg w/3/4-16 FJIC (7180)	2
	N29364	Hyd Hose - 3/8 x 72 Lg w/3/4-16 FJIC (7240 / 7300)	2
6	W-1847	Hex Bolt - 1/4 x 5 Lg	2
7	W-512	Hex Nut - 1/4	2
8	W-521	Lockwasher - 1/2	2

Variable Rate System Hydraulic Valve Manifold



Item	Part No.	Description	Qty
1	N29321	Valve Manifold Block	1
2	N29322	Valve - Dump - Solenoid	1
3	N29323	Valve - Solenoid - Flow Element	3
4	N29324	Valve - Flow Restrictor - Slave	3
5	N29325	Valve - Flow Regulator - Supply	1
6	N29328	Valve - Flow Regulator - Drain	3
7	N29365	Male Plug - 9/16-18 ORB	15
8	N29329	DIN Connector - Plug w/Gasket	4
9	N29331	Gasket - DIN Connector	4
10	N29330	Adjustment Knob Assembly	3
	N38962	Nut for N29330	
	N38963	Screw for N29330	
	N29320	Valve Manifold Assembly (Includes above items except 8, 9 & 10)	

Variable Rate System Control System



Variable Rate System - Control System

Item	Part No.	Description	Qty
1	N29300	Console - Master Switch (V/Rate)	1
2	N29305	Controller Switch - V/Rate	1
3	N29301	Controller Housing (V/Rate)	1
4	N29320	Valve Manifold Assembly	1
5	N29370	Bracket - Mount - Variable Console	1
6	N29306	Wire - V/Rate Extension - Lead - 8 1/2 ft	1
7	N32464	Wire - V/Rate Extension - Main - 21 ft - Weather Pak	1
	N29304	Wire - V/Rate Extension - Main - 21 ft - Brylite	1
8	N32465	Wire - V/Rate Extension - 37 1/2 ft Tow Behind ONLY - Weather Pak	1
	N29303	Wire - V/Rate Extension - 37 1/2 ft Tow Behind ONLY - Brylite	1
9	N32478	Harness - V-Rate Controller - Weather Pak	1
	N29332	Harness - V-Rate Controller - Brylite	1
10	N29307	Hall Effect Sensor	2
11	N29296	Bracket - Sensor - Metershaft	2
12	N29309	Bracket - Sensor - Main 7130 / 7180	1
13	N29310	Bracket - Sensor - Main 7240 / 7252 / 7300	1
14	W-469	Hex Bolt - 1/4 x 3/4	6
15	W-1847	Hex Bolt - 1/4 x 5 Lg	2
16	D-5259	Carriage Bolt - 5/16 x 3/4 Lg	1
17	D-5260	Carriage Bolt - 3/8 x 1 1/4 Lg	1
18	D-5265	Carriage Bolt - 1/2 x 1 Lg	2
19	D-5277	Locknut - 1/4 - Serrated	6
20	W-512	Hex Nut - 1/4	2
21	D-5278	Locknut - 5/16 - Serrated	1
22	D-5279	Locknut - 3/8 - Serrated	1
23	D14565	Locknut - 1/2 - Serrated	2
24	W-521	Lockwasher - 1/4	2
25	D-4838	Nylon Tie Strap - Black - 14 1/2 Lg	3
26	N27625	Assembly Tool - Packard Connector	1
27	N29382	Rocker Switch - 2 Way - #83301	2
28	N29400	Bracket - Auxiliary Mount - Monitor	1
29	N16698	Screw - Self Tapping - 1/4	2
30	N29333	Control - Start/Stop	1
31	N29696	Screw - Self Tapping - #10 x 3/4	2
The following items come with the basic Air Seeder			
32	N27010	Monitor	
33	N32470	Wire - Monitor Extension - 21 ft - Weather Pak	
	N27608	Wire - Monitor Extension - 21 ft - Brylite	
34	N32471	Wire - Monitor Extension - 37 1/2 ft Tow Behind ONLY - Weather Pak	
	N28199	Wire - Monitor Extension - 37 1/2 ft Tow Behind ONLY - Brylite	
35	N32472	Harness - Monitor (Weather Pak) 7130 / 7180 Tow Behind	
	N27006	Harness - Monitor (Brylite) 7130 / 7180 Tow Behind	
	N32474	Harness - Monitor (Weather Pak) 7240 / 7300 Tow Behind	
	N27008	Harness - Monitor (Brylite) 7240 / 7300 Tow Behind	
	N32473	Harness - Monitor (Weather Pak) 7180 Tow Between	
	N27007	Harness - Monitor (Brylite) 7180 Tow Between	
	N32475	Harness - Monitor (Weather Pak) 7240 Tow Between	
	N27009	Harness - Monitor (Brylite) 7240 Tow Between	
	N32476	Harness - Monitor (Weather Pak) 7252 Tow Behind	
	N31550	Harness - Monitor (Brylite) 7252 Tow Behind	
	N32477	Harness - Monitor (Weather Pak) 7252 Tow Between	
	N31551	Harness - Monitor (Brylite) 7252 Tow Between	
See Pg. 8-3 for complete list of Replacement Connectors			
A	N21538	Brylite Connector - 4 Pin Male	
B	N21539	Brylite Connector - 4 Pin Female	
C	N29384	Packard Connector - BLACK - 2 Pin Plug	
D	N29385	Packard Connector - BLACK - 2 Pin Socket	
E	N27613	Packard Connector - BLACK - 3 Pin Plug	
F	N27614	Packard Connector - BLACK - 3 Pin Socket	
H	N29151	Packard Connector - BLACK - 4 Pin Plug	
I	N29152	Packard Connector - BLACK - 4 Pin Socket	
J	N29153	Seal Connector - Black - BLACK - 4 Pin	
K	N28901	Packard Connector - BLUE - 3 Pin Plug	
L	N28902	Packard Connector - BLUE - 3 Pin Socket	
M	N29143	Seal Connector - BLUE - 3 Pin	

Notes

Index

C

C-3918 1-3
C-4698 4-3
C25809 2-3, 2-5

D

D-4838 4-3, 5-5
D-5098 1-3
D-5234 2-3, 2-5
D-5259 1-3, 2-3, 2-5, 4-3, 5-5
D-5260 2-5, 5-5
D-5265 5-5
D-5277 2-5, 4-3, 5-5
D-5278 1-3, 2-3, 2-5, 3-5, 4-3, 5-5
D-5279 2-3, 2-5, 5-5
D-5488 1-3, 3-2, 3-3
D-5489 1-3
D-5579 1-3
D10747 2-5
D14565 5-5
D17808 2-3
D17946 2-5

F

F-1767 3-5

M

M-3388 1-3, 4-3

N

N11470 4-3
N11905 3-5
N11907 3-5
N15094 1-3
N15114 3-2, 3-3
N15716 1-3, 3-2, 3-3
N16113 2-3
N16471 4-3
N16473 4-3
N16474 4-3
N16563 4-3
N16564 4-3
N16565 4-3
N16698 4-3, 5-5
N16853 2-3, 2-5
N19025 1-3
N19108 1-3
N19109 1-3
N19127 1-3
N19211 1-3
N19269 3-2, 3-3
N19283 2-3
N19366 1-3

N19428 3-5
N19437 1-3
N19449 3-5
N19450 4-3
N19460 2-3
N19496 1-3
N19577 2-3
N19599 4-3
N19646 1-3
N19687 3-2, 3-3
N19690 3-5
N19693 3-5
N19706 2-3, 2-5
N19785 2-3, 2-5
N19791 1-3
N21288 2-3, 2-5
N21450 1-3
N21520 4-3
N21538 4-4, 5-5
N21539 4-4, 5-5
N21602 3-2, 3-3
N21604 1-3
N21612 3-2, 3-3
N21653 4-3
N21654 4-3
N21659 3-2, 3-3
N21671 4-3
N21672 2-3
N22777 2-3, 2-5
N22778 2-3, 2-5
N24302 4-4
N24391 4-4
N24792 1-3
N27006 4-3, 5-5
N27007 4-3, 5-5
N27008 4-3, 5-5
N27009 4-3, 5-5
N27010 4-3, 5-5
N27010R 4-3
N27080 1-3
N27087 3-2, 3-3
N27088 3-2, 3-3
N27089 3-2, 3-3
N27090 3-2, 3-3
N27097 3-2, 3-3
N27098 3-2, 3-3
N27099 3-2, 3-3
N27100 1-3, 3-2
N27119 4-3
N27155 1-3
N27350 2-3
N27360 1-3, 3-5
N27370 2-3
N27395 2-3
N27402 2-3
N27403 2-3

N27404 2-3
N27405 2-3
N27406 2-3
N27411 2-3, 2-5
N27424 2-3
N27425 2-3
N27591 1-3
N27605 3-2, 3-3
N27606 4-4
N27608 4-3, 5-5
N27609 4-3
N27613 4-4, 5-5
N27614 4-4, 5-5
N27615 4-4
N27616 4-3
N27617 4-3
N27618 4-3
N27619 4-3
N27621 4-3
N27623 4-3
N27624 4-3
N27625 4-3, 5-5
N27710 1-3
N27715 1-3
N27864 2-3, 2-5
N28160 1-3
N28162 1-3, 2-3, 2-5
N28163 1-3
N28164 1-3, 2-3, 2-5
N28165 1-3, 2-3, 2-5
N28170 1-3
N28180 1-3
N28184 1-3
N28185 1-3
N28192 1-3
N28199 4-3, 5-5
N28487 4-3
N28488 4-3
N28489 4-3
N28490 4-3
N28491 4-3
N28492 3-2
N28663 1-3
N28671 4-4
N28831 1-3, 3-2
N28901 4-4, 5-5
N28902 4-4, 5-5
N28903 4-4
N28904 4-4
N28905 4-4
N28906 4-4
N28924 3-3
N28927 3-3
N28928 3-3
N28929 3-3
N29048 1-3

N29049 1-3
N29090 1-3
N29097 2-3, 2-5
N29099 1-3
N29100 1-3
N29101 3-5
N29102 3-5
N29107 3-5
N29108 3-5
N29128 3-5
N29142 2-3
N29143 4-4, 5-5
N29144 4-4
N29145 4-4
N29147 4-4
N29148 4-4
N29149 4-4
N29150 4-4
N29151 4-4, 5-5
N29152 4-4, 5-5
N29153 4-4, 5-5
N29158 2-3, 2-5
N29200 2-3
N29201 1-3
N29296 2-5, 5-5
N29300 5-5
N29301 5-5
N29303 5-5
N29304 5-5
N29305 5-5
N29306 5-5
N29307 2-5, 5-5
N29309 5-5
N29310 5-5
N29311 2-5
N29317 2-5
N29318 2-5
N29319 2-5, 5-3
N29320 5-3, 5-5
N29321 5-3
N29322 5-3
N29323 5-3
N29324 5-3
N29325 5-3
N29328 5-3
N29329 5-3
N29330 5-3
N29331 5-3
N29332 5-5
N29333 5-5
N29338 2-5
N29340 2-5
N29341 2-5
N29342 2-5
N29345 2-5
N29358 5-3

N29359 5-3
N29363 5-3
N29364 5-3
N29365 5-3
N29368 2-5
N29370 5-5
N29371 2-5
N29375 2-5
N29382 5-5
N29384 4-4, 5-5
N29385 4-4, 5-5
N29398 2-5
N29399 2-5
N29400 5-5
N29457 3-3
N29478 2-3
N29487 2-3, 2-5
N29696 5-5
N29735 4-3
N29833 4-4
N30575 4-4
N30659 4-4
N30660 4-4
N30661 4-4
N30662 4-4
N30663 4-4
N30789 1-3
N30793 1-3
N31049 4-3
N31550 4-3, 5-5
N31551 4-3, 5-5
N31790 4-3
N31792 4-3
N32464 5-5
N32465 5-5
N32470 4-3
N32471 4-3
N32472 4-3, 5-5
N32473 4-3, 5-5
N32474 4-3, 5-5
N32475 4-3, 5-5
N32476 4-3, 5-5
N32477 4-3, 5-5
N32478 5-5
N32491 4-3
N32492 4-3
N32494 4-3
N34177 4-3
N34263 4-3
N34477 1-3
N35530 4-4
N35531 4-4
N35532 4-4
N35533 4-4
N35534 4-4
N38962 5-3

N38963 5-3
N40505 3-5
N42127 3-2, 3-3
N42128 3-2, 3-3
N42129 3-2, 3-3
N42130 3-2, 3-3

P

P1318510 2-3, 2-5

S

S-1198 2-3, 2-5
S-1292 1-3
S-1925 1-3, 2-3, 2-5
S-752 2-3, 2-5
S10730 2-5
S27987 2-5

W

W-1663 2-3
W-1847 5-3, 5-5
W-187 1-3
W-3687 1-3, 2-3, 2-5
W-469 2-5, 4-3, 5-5
W-472 1-3
W-477 1-3, 3-2, 3-3
W-478 1-3
W-479 4-3
W-480 2-3
W-481 2-3
W-488 2-5
W-501 2-3
W-512 5-3, 5-5
W-513 1-3
W-514 1-3, 2-3, 2-5
W-516 1-3, 2-3, 2-5
W-517 2-3
W-521 5-3, 5-5
W-522 1-3, 3-2, 3-3
W-523 1-3, 2-3, 2-5, 3-2, 3-3
W-525 1-3, 2-3, 2-5
W-526 2-3
W-538 4-3
W-619 1-3
W-793 2-3



CORPORATE OFFICE AND TRAINING CENTRE

2131 Airport Drive
Saskatoon, SK, Canada S7L 7E1
Tel: (306) 933-8585 Fax: (306) 933-8626

**MANUFACTURING AND
RESEARCH & DEVELOPMENT**

85 York Road Yorkton, SK, Canada S3N 3P2
Tel: (306) 783-8585 Fax: (306) 782-5250

MANUFACTURING

284 - 6th Ave. N.W.
Minnedosa, MB, Canada R0J 1E0
Tel: (204) 867-2713 Fax: (204) 867-2678

UNITED STATES OFFICE

4400 Burdick Expressway E.
Minot, ND, USA 58701
Tel: (701) 852-4171 Fax: (701) 838-9444

The policy of Morris Industries Ltd. is one of continuing improvement, therefore, the company reserves the right to change any specification without notice.