

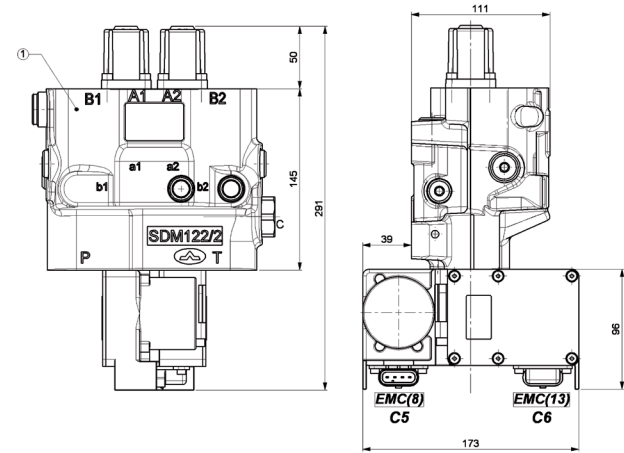
**P0**  
On-Off alternate push-button  
For interruption of console supply only, not for interrupt EMC supply.

**P1**  
On-off momentary push-button  
For float activation push the black button and move the joystick forward. Float will remain engaged even with the joystick in neutral position. For float deactivation move the joystick backward.

**P2**  
On-off momentary push-button for direct activation of on-off 3

**P3**  
On-off momentary push-button for direct activation of on-off 4

**L1**  
On steady when system is ok.  
Flash quickly when float is active.  
Flash slowly when system is in error state.



### SPECIFICATIONS

#### TECHNICAL DATA - UPD220

Nominal voltage: 9 to 16V  
Nominal current: 30mA  
CAN BUS output: CAN2.0A  
Protection Index: IP65  
Vibrations test according to: IEC 68-2-6  
Shock test according to: IEC 68-2-27  
Bumps test according to: IEC 68-2-29  
Life expectancy: >1 million cycles  
Temperature Range: -30°C to 70°C  
ISO/CD 13768: EMC Earth-Moving Machines  
ISO/CD 14892: EMC Forestry and Agricultural Machines  
ESD protection: 25kV

#### TECHNICAL DATA - SDM122/2

Nominal flow: 80l/min  
Nominal pressure: 250bar  
Max backpressure: 10bar  
Fluid: Mineral based oil  
Viscosity range: 12 to 250 mm<sup>2</sup>/s  
Seal materials: NBR  
Oil temperature range: -20°C to +80°C  
Environmental temperature: -40 to +60°C  
Max level of contamination of the fluid: 19/16 ISO 4406

#### TECHNICAL DATA - EMC CONTROL

Force: up to 340N  
Speed: up to 75mm/s  
Residual Force: < 40N  
Travel: ±12mm  
Resolution: 0.02mm / incr.  
Integrated Electronics Driver: CAN 2.0A  
Supply voltage: 9 - 16VDC  
Operational temperature: -25° to +85°C  
Max axial play after life time: < 0.25mm  
EMC: ISO 14982  
Load Dump - Pulse 5: Level 1 @ 12Vdc  
ISO 7637-2 2004(E): IEC 68-2  
Vibration

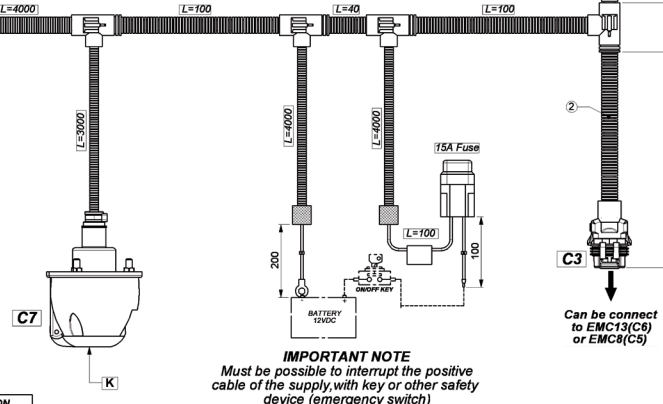
**NOTE**  
Parameter such as spool stroke may be limited by WST software according to the application.

#### TECHNICAL DATA PUSH-BUTTONS P2-P3

Contact type: Momentary Normally Open  
Current/Voltage: 3A/30VDC  
Mechanical life: 100000  
Electrical life: 25000  
Acting force: 9.3N

PIN	FUNCTION
1	Not connected
2	Not connected
3	ON-OFF 3
4	ON-OFF 4
5	Not connected
6	Not connected
7	GND

VIEW FROM K SIDE  
CONNECTOR C7



**IMPORTANT NOTE**  
Must be possible to interrupt the positive cable of the supply, with key or other safety device (emergency switch)

