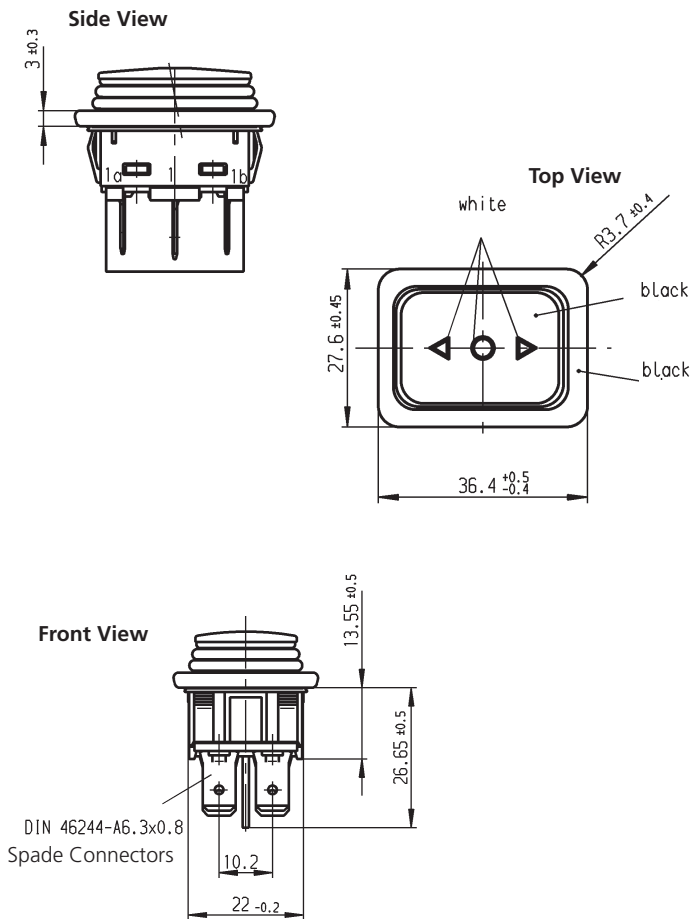


# Marquardt Rocker Switch

The Marquardt Rocker switch can be used for direct operation of an actuator without using electronics.

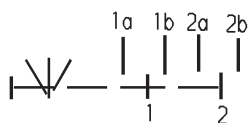


### Recommended Cut-Out Dimensions (mm)

Wall Thickness	Length of cut-out	Width of cut-out
0.75 - 1.25	30 <sub>-0.1</sub>	22 <sup>+0.2</sup>
1.25 - 2.00	30.2 <sub>-0.1</sub>	22 <sup>+0.2</sup>
2.00 - 3.00	30.6 <sub>-0.1</sub>	22 <sup>+0.2</sup>

**Important:** The IP rating refers to the actuating side of the switch only, when mounted into an appliance. The sealing between switch and customer appliance is realizable through the surrounding sealing lip of the actuating cap. Mounting and testing of the tightness must be checked. Switches with damaged actuating caps must be replaced immediately.

DPDT with spring centre. Biased from both sides, suitable for appliances of Class II.



The Rocker Switch can be used for actuators with internal limit switches and clutch such as; LA12, LA31, LA34 and LA36. It can also be used with LA22 and LA30 with internal LSD limit switches.

Some of the features of the Rocker Switch are;

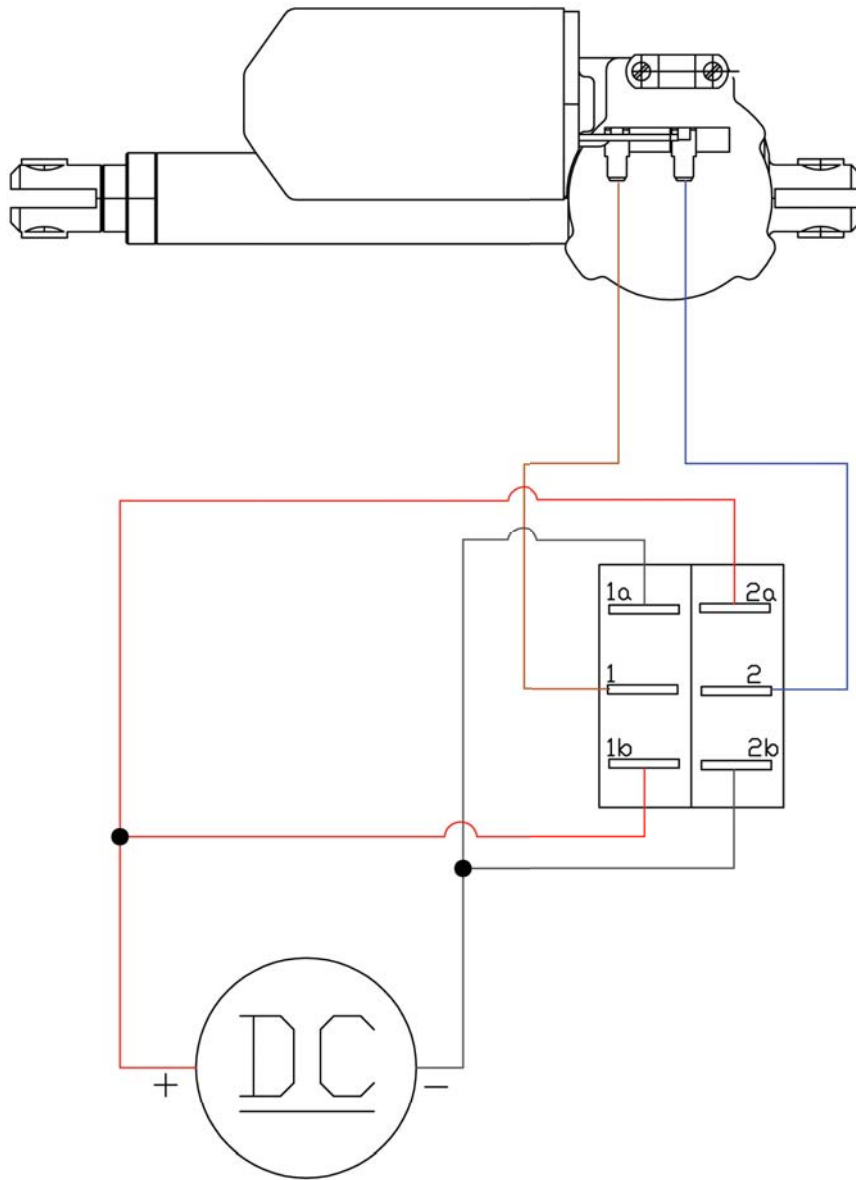
- IP66 for outdoor use
- Momentary function on both sides with centre off
- Quick connection through 6.3mm plug-in terminal
- Current: Tested with LA36 - 12V for more than 50,000 activations (20-22Amp)

### ORDERING GUIDELINES:

TR-1939.3314-00

Marquardt - Rocker Switch

Specifications subject to change without prior notice. The specified product is a third party product that is produced by Marquardt and distributed by LINAK as a supplement to LINAK's existing product range. It is the responsibility of the product user to determine the suitability of the products for a specific application. LINAK will at point of delivery replace/repair defective products covered by the warranty if promptly returned to LINAK. No liability is assumed beyond such replacement/repair.



The selection of power supply and the use of fuses and/or electronic current override protection depends on the actuator model and the application. For specific actuator connections, direction of travel relative to the polarity and for other information please refer to the datasheets, user manuals or contact our Technical Support team.