



Extreme Performance from Rexnord

## RexPlus

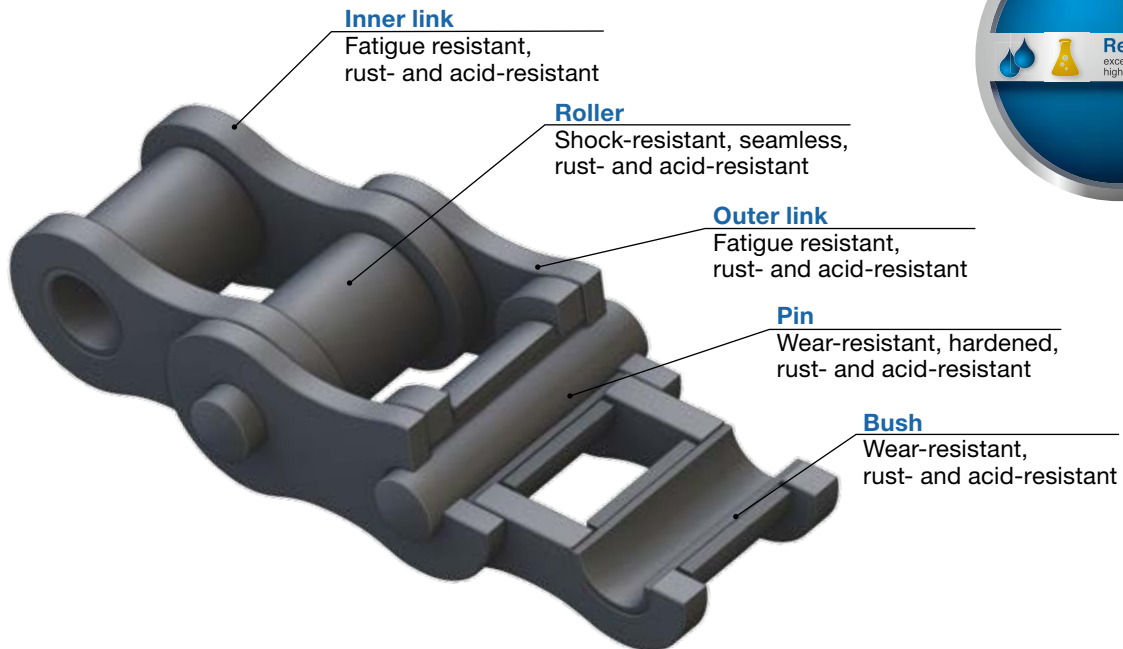
**REXNORD**

  **RexPlus**  
excellent corrosion resistance  
high reliability



## RexPlus

Extreme Performance from Rexnord.



### APPLICATION

- Water, steam, aggressive liquids
- For extreme conditions
- When hygiene requirements must be fulfilled

### CHARACTERISTICS

- Made from materials with excellent rust- and acid-resistant properties
- High loading capacity at speeds up to approx. 1.5 m/sec.
- Seamless rollers
- NSF H1 certification
- Patented special steel
- High mechanical stability
- Bearings with especially high strength

### ADVANTAGES

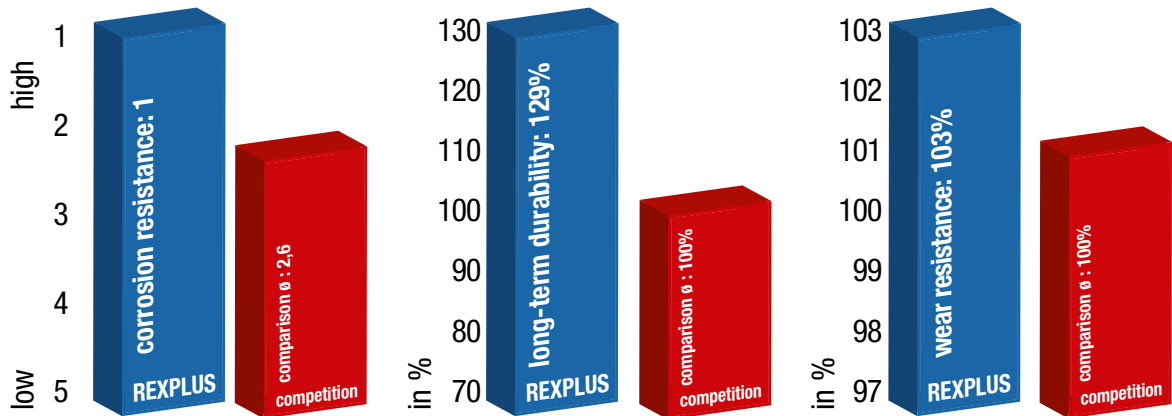
- High wear resistance
- Maximum hygiene
- Resistant to water and steam
- Direct contact with foodstuffs permitted
- Visually attractive chain
- Long service life
- Good cost-effectiveness

### LUBRICATION

- With food-grade lubricant
- Temperature range: -40° C to +120° C (extension from -40° C to +400° C possible)

## RexPlus in comparison

In comparison with competition products, RexPlus chains are more corrosion resistant, highly fatigue resistant and very wear resistant.



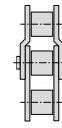
## Recommended chain tractive power for appropriate speeds

Chain type	temperature range - 40° C to + 200° C admissible tractive power for				temperature range + 200° C to + 400° C admissible tractive power for	
	N	N	N	N	N	N
	up to 0,5 m/s	up to 1,0 m/s	up to 1,5 m/s	up to 2,0 m/s	up to 0,5 m/s	up to 1,0 m/s
08 B - 1 SS	850	750	650	500	530	470
10 B - 1 SS	1100	1000	900	670	690	630
12 B - 1 SS	1500	1300	1100	890	940	810
16 B - 1 SS	3500	3100	2700	2100	2200	1900
08 B - 2 SS	1500	1300	1100	900	900	800
10 B - 2 SS	1900	1800	1600	1200	1200	1100
12 B - 2 SS	2600	2300	1900	1600	1600	1400
16 B - 2 SS	6100	5400	4700	3700	3800	3400
08 B - 3 SS	2100	1900	1600	1300	1300	1200
10 B - 3 SS	2800	2500	2300	1700	1800	1600
12 B - 3 SS	3800	3300	2800	2200	2400	2100
16 B - 3 SS	8800	7800	6800	5300	5500	4900



## RexPlus - European Standard

Extreme performance from Rexnord.



### Simplex roller chains



#### Applications & Characteristics

- Water, steam, aggressive liquids
- Fulfills hygiene requirements
- For extreme conditions
- Excellent resistance to rust and acids



#### Maintenance & Service life

- Long service life
- Highly reliable

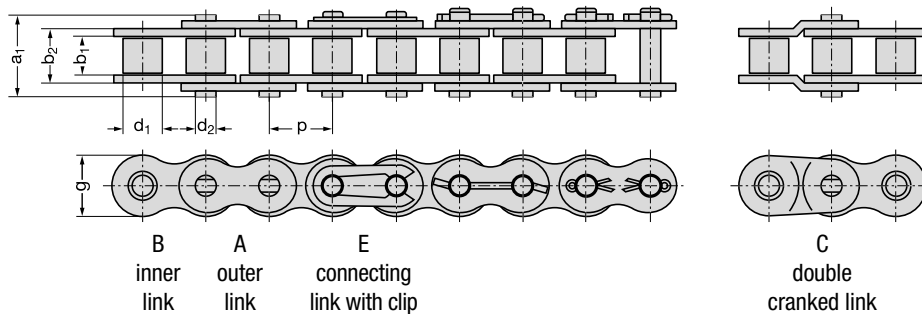


#### Eco-friendly

- NSF H1 certification

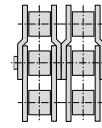
### RexPlus-Simplex roller chain made of rust and acid resistant steel

Chain No.	Pitch		Width between inner plates	Roller diameter	Pin diameter	Width over inner link	Plate depth	Transverse pitch	Pin length	Connecting pin length	Bearing area	Average tensile strength	Weight	Loose parts				
	$p$	$p$												$b_1$ min	$d_1$ max	$d_2$ max	$b_2$ max	$g$ max
	inch	mm	mm	mm	mm	mm	mm	mm	mm	mm	mm	mm <sup>2</sup>	N	kg/m				
08 B - 1 SS	0.50	12.7	7.75	8.51	4.45	11.30	11.6	-	17.0	19.0	0.50	12 000	0.7	x	x	x	x	
10 B - 1 SS	0.625	15.875	9.65	10.16	5.08	13.28	14.6	-	18.9	22.0	0.67	15 500	0.9	x	x	x	x	
12 B - 1 SS	0.75	19.05	11.68	12.07	5.72	15.62	15.9	-	22.3	25.1	0.89	17 500	1.2	x	x	x	x	x
16 B - 1 SS	1.00	25.4	17.02	15.88	8.28	25.40	20.8	-	35.4	42.4	2.10	44 000	2.6	x	x	x	x	



## RexPlus - European Standard

Extreme Performance from Rexnord.



### Duplex roller chains



#### Applications & Characteristics

- Water, steam, aggressive liquids
- Fulfills hygiene requirements
- For extreme conditions
- Excellent resistance to rust and acids



#### Maintenance & Service life

- Long service life
- Highly reliable



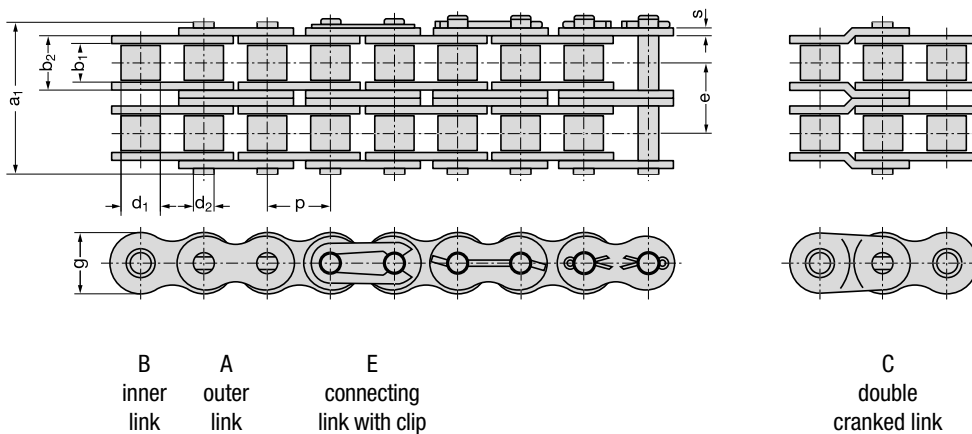
#### Eco-friendly

- NSF H1 certification



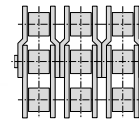
## RexPlus-Duplex roller chain made of rust and acid resistant steel

Chain No.	Pitch		Width between inner plates		Roller diameter	Pin diameter	Width over inner link	Plate depth	Transverse pitch	Pin length	Connecting pin length	Bearing area	Average tensile strength	Weight	Loose parts			
	inch	mm	b <sub>1</sub> min	d <sub>1</sub> max	d <sub>2</sub> max	b <sub>2</sub> max	g max	e	a <sub>1</sub> max	a <sub>3</sub> max	A	F <sub>b</sub>	q	A	B	C	E	
			mm	mm	mm	mm	mm	mm	mm	mm	mm	cm <sup>2</sup>	N	kg/m				
08 B - 2 SS	0.5	12.7	7.75	8.51	4.45	11.30	11.6	13.92	30.6	33.0	1.01	22 200	1.4	x	x	x	x	
10 B - 2 SS	0.625	15.875	9.65	10.16	5.08	13.28	14.6	16.59	35.5	38.6	1.34	31 000	1.8	x	x	x	x	
12 B - 2 SS	0.75	19.05	11.68	12.07	5.72	15.62	15.9	19.46	41.7	44.4	1.79	35 000	2.3	x	x	x	x	
16 B - 2 SS	1	25.4	17.02	15.88	8.28	25.40	20.5	31.88	67.4	74.0	4.21	81 000	5.3	x	x	x	x	



## RexPlus - European Standard

Extreme performance from Rexnord.



## Triplex roller chains



### Applications & Characteristics

- Water, steam, aggressive liquids
- Fulfills hygiene requirements
- For extreme conditions
- Excellent resistance to rust and acids



### Maintenance & Service life

- Long service life
- Highly reliable

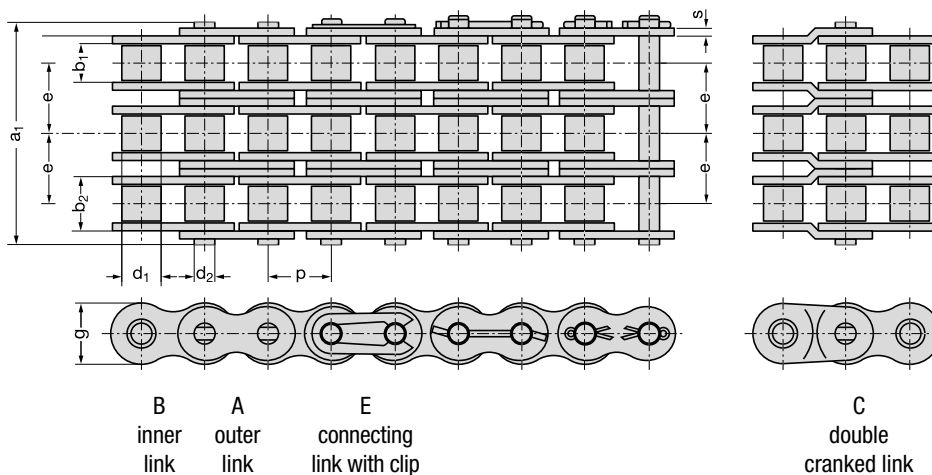


### Eco-friendly

- NSF H1 certification

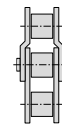
## RexPlus-Triplex roller chain made of rust and acid resistant steel

Chain No.	Pitch		Width between inner plates		Roller diameter	Pin diameter	Width over inner link	Plate depth	Transverse pitch	Pin length	Connecting pin length	Bearing area	Average tensile strength	Weight	Loose parts			
	inch	mm	b <sub>1</sub> min	d <sub>1</sub> max	d <sub>2</sub> max	b <sub>2</sub> max	g max	e	a <sub>1</sub> max	a <sub>3</sub> max	A	F <sub>b</sub>	q	A	B	C	E	
			mm	mm	mm	mm	mm	mm	mm	mm	mm	mm	cm <sup>2</sup>	N	kg/m			
08 B - 3 SS	0.50	12.7	7.75	8.51	4.45	11.30	11.6	13.92	44.6	47.2	1.51	32 400	2.1	x	x	x	x	
10 B - 3 SS	0.625	15.875	9.65	10.16	5.08	13.28	14.6	16.59	52.2	55.6	2.02	46 500	2.6	x	x	x	x	
12 B - 3 SS	0.75	19.05	11.68	12.07	5.72	15.62	15.9	19.46	61.3	65.2	2.68	52 500	3.4	x	x	x	x	
16 B - 3 SS	1.00	25.4	17.02	15.88	8.28	25.40	20.5	31.88	9.3	107.2	6.31	119 000	7.8	x	x	x	x	



## Side bow roller chains

Extreme Performance from Rexnord.



### Simplex roller chains



#### Applications & Characteristics

- Water, steam, aggressive liquids
- Fulfills hygiene requirements
- For extreme conditions
- Excellent resistance to rust and acids



#### Maintenance & Service life

- Long service life
- Highly reliable



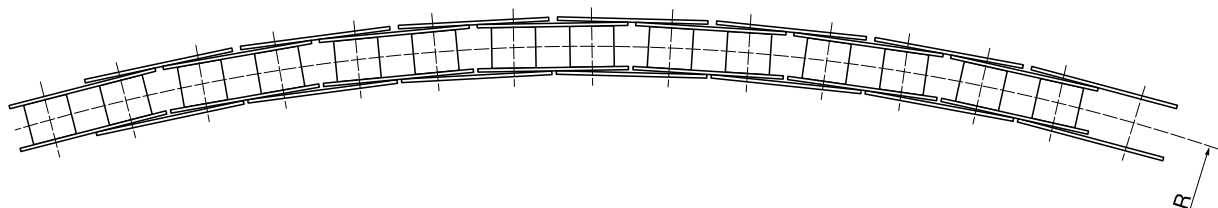
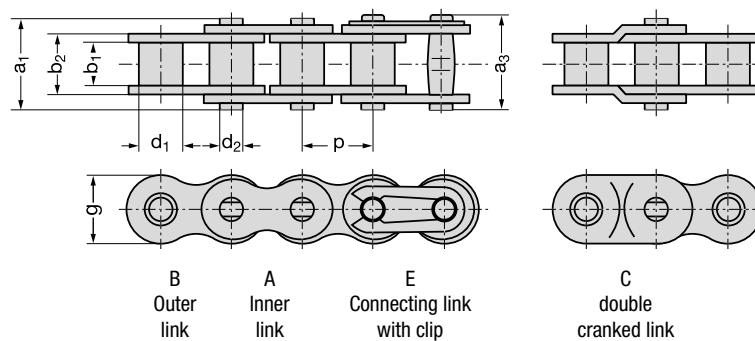
#### Eco-friendly

- NSF H1 certification

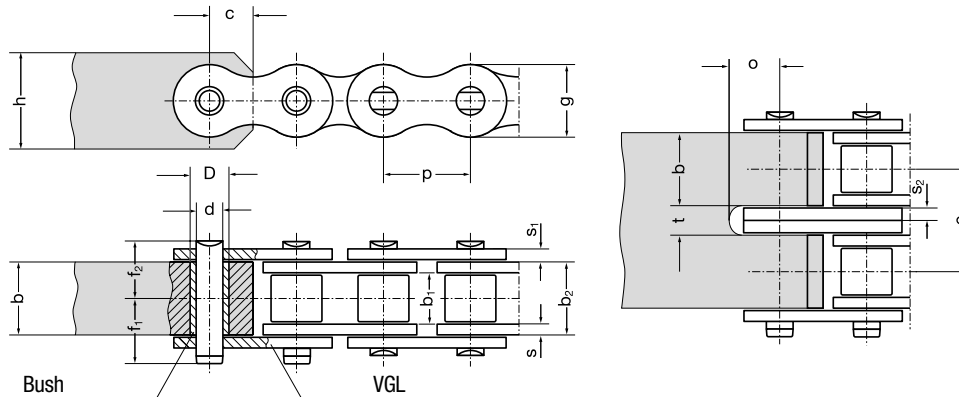


## Side bow roller chains, Principal dimensions by European and American type (DIN 8187 / 8188)

Chain No.	Pitch		Width between inner plates		Roller diameter	Pin diameter	Width over inner link	Plate depth	Pin length	Connecting pin length	Radius	Average tensile strength	Weight	Loose parts			
	inch	mm	$b_1$ min	$d_1$ max	$d_2$ max	$b_2$ max	$g$ max	$a_3$ max	$a_3$ max	R	$F_u$	q	A	B	C	E	
			mm	mm	mm	mm	mm	mm	mm	mm	min	N	kg/m				
843 SS	½	12.7	7.80	7.92	3.96	11.0	11.6	17.9	-	1000	11 000	0.6					
63 SS	¾	19.05	12.80	11.91	5.08	-	16.8	29.1	-	356	14 000	1.3					



## Connecting dimensions for roller chains, European and American types



- Required material hardness of fixing elements: at least 490 N/mm<sup>2</sup>
- To increase wear resistance, fit a bush (surface hardness rating approx. 60 HRC) to the connecting element, if joint mobility is required at the connection point.
- Hardened bushes are not required in case of static loading
- Please order bushes using the corresponding bush part no.
- The bush bore diameters  $d^{C10}$  result from press-fitting in bore diameter  $D^{S7}$
- If no bushes are fitted, the bore  $d^{C10}$  is inserted directly into the connection element

### Connecting dimensions for roller chains, European type, ISO 606 / DIN 8187

Chain no.	Pitch		Width between inner plates		Width over inner link		Plate thickness				Bore $\emptyset$								Bush part no.	
	p	inch	mm	$b_1$ min	$b_2$ max	s	$s_1$	$s_2$	g max	e	$f_1$	$f_2$	h	b max	c	$d^{C10}$	$D^{S7}$	t		o
08 B	0.50	12.70	7.75	11.30	1.70	1.70	1.25	11.60	13.92	10.30	8.40	11	11.20	6.0	4.45	6.27	2.7	7.5	001544	
10 B	0.625	15.875	9.65	13.28	1.70	1.50	1.50	14.60	16.59	11.30	9.40	13	13.20	7.5	5.08	7.00	3.2	8.0	001543	
12 B	0.75	19.05	11.68	15.62	1.80	1.80	1.80	15.90	19.46	13.20	11.10	16	15.60	10.0	5.72	8.40	3.8	9.5	001542	
16 B	1.00	25.40	17.02	25.40	3.75	3.05	3.05	20.50	31.88	21.60	17.70	20	25.40	14.0	8.28	11.70	6.4	13.0	001541	
20 B	1.25	31.75	19.56	29.00	4.50	4.50	3.50	25.70	36.45	24.10	20.20	26	29.00	16.5	10.19	14.00	7.4	16.5	001449	
24 B	1.50	38.10	25.40	37.90	5.80	5.00	5.00	33.00	48.36	31.60	26.90	33	37.90	19.5	14.63	18.99	10.6	20.0	001540	
28 B	1.75	44.45	30.99	46.50	6.50	5.50	6.00	37.00	59.56	36.60	31.60	36	46.50	23.0	15.90	21.64	12.6	24.0	001539	
32 B	2.00	50.80	30.99	45.50	6.30	6.30	6.30	41.20	58.55	38.40	32.50	42	45.50	27.0	17.81	23.12	13.2	27.0	001538	
40 B	2.50	63.50	38.10	55.70	8.50	8.00	8.00	51.50	72.29	47.50	39.40	52	55.70	35.0	22.89	29.18	16.6	35.0	017776	
48 B	3.00	76.20	45.72	70.50	12.00	10.00	10.00	63.50	91.21	56.00	49.20	64	70.50	40.0	29.24	37.90	20.6	40.0	001535	
56 B	3.50	88.90	53.34	81.30	13.60	12.00	12.00	77.00	106.60	64.80	57.80	77	81.30	45.0	34.32	43.50	25.0	51.0	001536	

### Connecting dimensions for roller chains, American type, ISO 606 / DIN 8188

Chain no.	Pitch		Width between inner plates		Width over inner link		Plate thickness				Bore $\emptyset$								Bush part no.
	p	inch	mm	$b_1$ min	$b_2$ max	s	$s_1$	g max	e	$f_1$	$f_2$	h	b max	c	$d^{C10}$	$D^{S7}$	t	o	
40	0.50	12.70	7.85	11.15	1.50	1.50	1.160	14.38	11.2	8.1	11	11.10	6.0	3.96	5.98	3.2	7.0	001544	
50	0.625	15.875	9.40	13.80	2.00	2.00	1.460	18.11	12.0	10.2	13	13.80	7.7	5.08	7.65	4.2	9.0	001543	
50	0.75	19.05	12.57	17.70	2.40	2.40	1.760	22.78	14.4	12.8	16	17.60	9.0	5.94	9.00	5.0	10.0	001542	
80	1.00	25.40	18.75	22.50	3.05	3.05	2.350	29.29	20.4	16.5	22	22.30	12.0	7.92	11.67	6.8	14.0	001541	
100	1.25	31.75	18.98	27.40	4.00	4.00	2.870	35.76	23.7	19.7	26	27.40	15.5	9.53	13.82	8.4	17.5	001449	
120	1.50	38.10	25.22	35.30	4.70	4.70	3.440	45.44	30.0	24.9	30	35.20	18.5	11.10	16.13	9.8	20.0	001540	
140	1.75	44.45	25.22	37.00	5.50	5.50	4.080	48.87	31.6	26.7	36	37.00	21.5	12.70	18.29	11.6	23.5	001539	
160	2.00	50.80	31.55	45.00	6.30	6.30	4.780	58.55	36.4	31.8	42	44.70	24.0	14.27	20.70	13.2	27.5	001538	
180	2.25	57.15	35.72	50.50	7.00	7.00	5.400	65.35	41.4	35.7	47	50.60	27.0	17.46	25.35	14.6	32.0	017776	
200	2.50	63.50	37.85	54.70	8.00	8.00	6.000	71.55	45.0	39.0	52	54.60	30.0	19.84	28.38	16.6	34.5	001535	
240	3.00	76.20	47.35	67.50	9.50	9.50	7.000	87.33	55.5	47.4	62	67.50	37.0	23.80	34.28	19.6	41.0	001536	



## Extreme Performance from Rexnord

Expert chains with innovative technology and materials:

- Stainless steel
- Seamless rollers
- High-tech carbon sliding sleeves
- Food-grade lubricants
- Alloy surfaces
- Anti-friction coatings



	RexAthletic	RexCarbon	RexPlus	RexPlusCarbon	RexHiPro	RexProX
--	-------------	-----------	---------	---------------	----------	---------

### Chain characteristics

Chain size	0,5" to 2"	0,5" to 1"	0,5" to 1"	0,5" to 1"	0,5" to 2"	0,5" to 2"
Maintenance level	low	zero	normal	zero	normal	low
Fatigue resistance	100%	100%	60%	60%	100%	100%
Tensile strength	100%	100%	60%	60%	100%	100%
Specific bearing load	100%	50%	50%	50%	100%	100%
Chain speed	up to 20 m/s	up to 20 m/s	up to 4 m/s	up to 2 m/s	up to 20 m/s	up to 20 m/s
Rust and acid resistant	no	no	damp	damp	partly	no

### Environmental conditions

Temperature range	0° C to 120° C *	-40° C to 100° C *	-40° C to 120° C *	-40° C to 100° C *	-30° C to 130° C *	0° C to 120° C *
Damp, corrosive atmosphere	partly	partly	damp	damp	damp	partly
Dusty	partly	damp	damp	damp	partly	partly
Hygienic	NSF H2	NSF H1	NSF H1	NSF H1	NSF H2	NSF H2

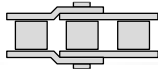
An appropriate lubrication method should be selected, depending on chain speed.

These guideline values are valid for shock-free loading, a shaft centre distance of 40 x pitch, with the chain running over two sprockets and a number of teeth z1 = 21; z2 = 42. Other drive parameters can be determined using the Rexnord chain calculation program Rex®Drive.

\*The temperature range can be extended by using special high- or low-temperature lubricants.

## Overview Rexnord roller chains

### Roller Chains



**REXNORD**

**RexPro**  
RexPro lubrication  
improved wear resistance  
high fatigue resistance

- Outstanding protection against corrosion and wear
- Unique protection against chain joint stiffness
- Extremely eco-friendly

**REXNORD**

**RexAthletic**  
good loading capacity  
extended lubrication intervals

- Durable and low-maintenance
- Longer servicing intervals
- High loading capacity

**REXNORD**

**RexCarbon**  
no lubrication  
low noise

- Maintenance-free
- Low noise
- Eco-friendly

**REXNORD**

**RexPlus**  
excellent corrosion resistance  
high reliability

- Excellent resistance to rust and acids
- Highly reliable
- Fulfills hygiene requirements
- NSF H1 certification

**REXNORD**

**RexPlusCarbon**  
no lubrication  
excellent corrosion resistance

- Combination of RexPlus and RexCarbon
- Excellent resistance to rust and acids
- Maintenance-free
- NSF H1 certification

**REXNORD**

**RexHiPro**  
good corrosion resistance  
excellent loading capacity

- Outstanding corrosion resistance
- Long service life
- High loading capacity

**Link-Belt**  
a brand of REXNORD

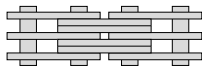
- The optimum choice for light and medium duty
- Good cost-benefit ratio
- High availability

**REXNORD**

**RexProX**  
RexPro lubrication  
improved wear resistance  
high fatigue resistance

- Extremely high loading capacity
- Long service life
- Outstanding protection against corrosion and wear

### Leaf Chains



**REXNORD**

**RexPro**  
RexPro lubrication  
improved wear resistance  
high fatigue resistance

- Outstanding protection against corrosion and wear
- Unique protection against chain joint stiffness
- Extremely eco-friendly

**REXNORD**

**RexHiPro**  
good corrosion resistance  
excellent loading capacity

- Outstanding corrosion resistance
- Long service life
- High loading capacity

**REXNORD**

**RexAthletic**  
good loading capacity  
extended lubrication intervals

- Durable and low-maintenance
- Longer servicing intervals
- High loading capacity

**REXDL**  
a brand of REXNORD

- The optimum choice for light and medium duty
- Good cost-benefit ratio
- Good availability