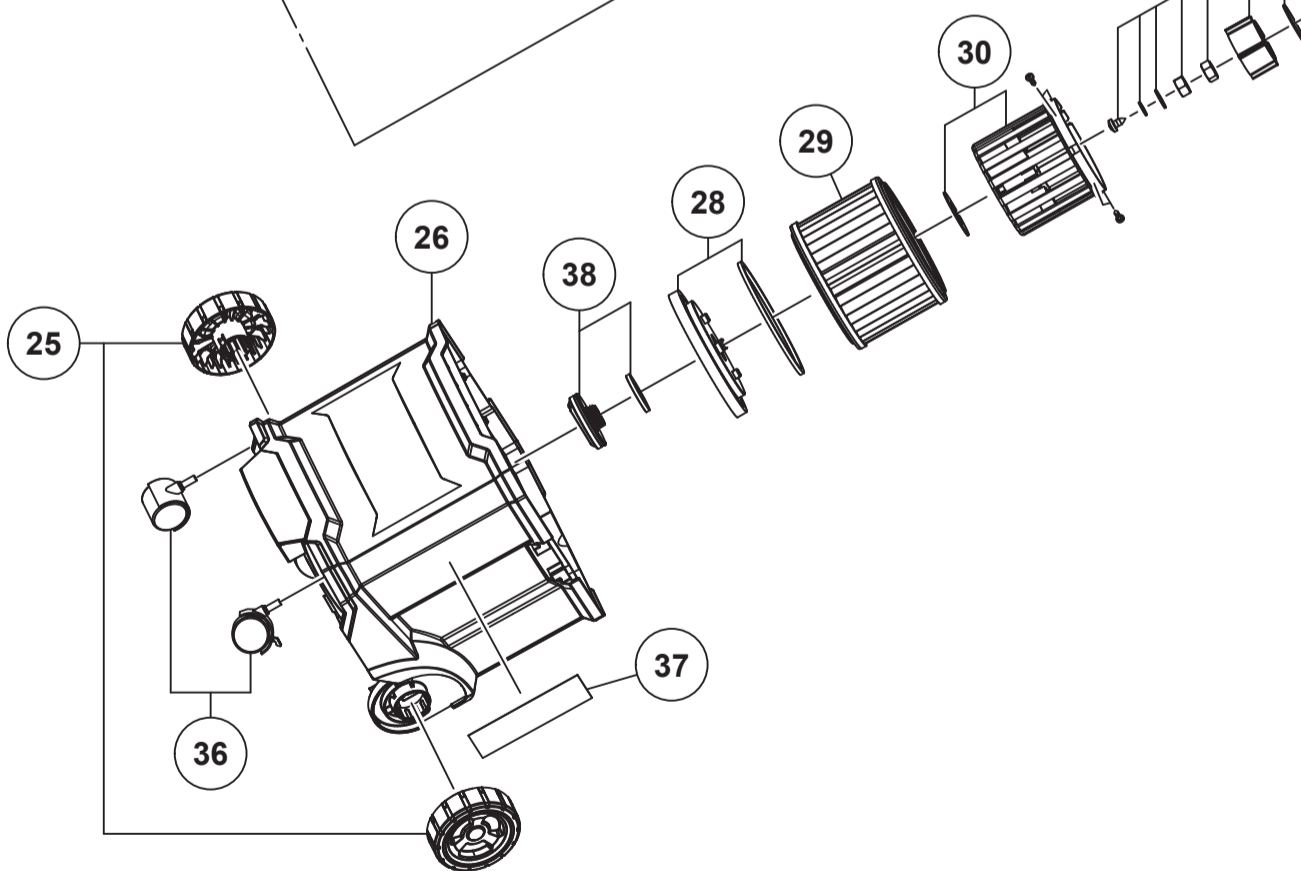
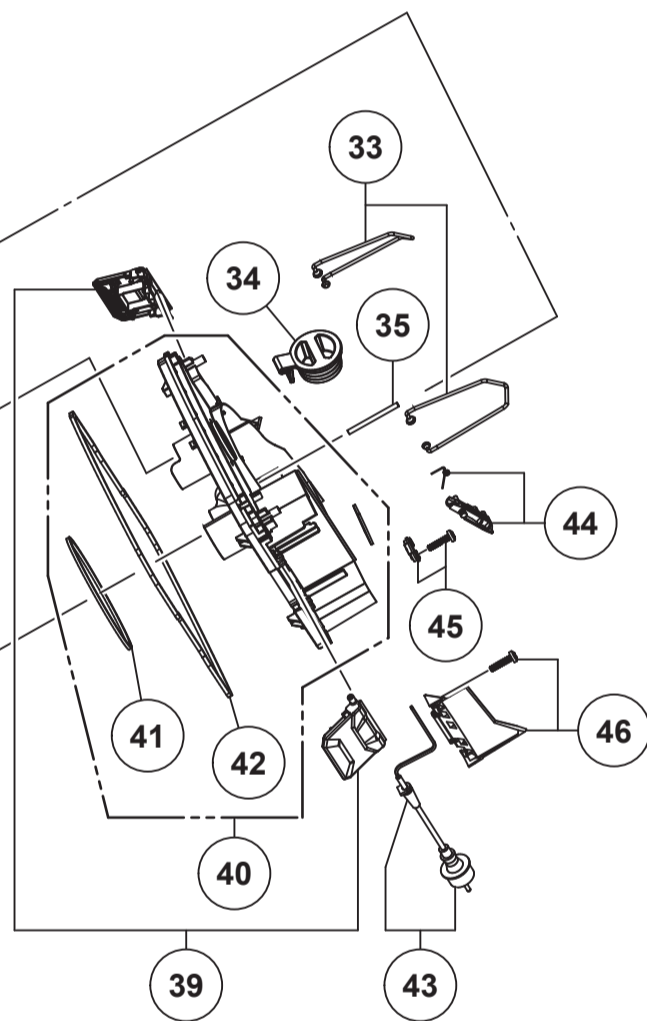
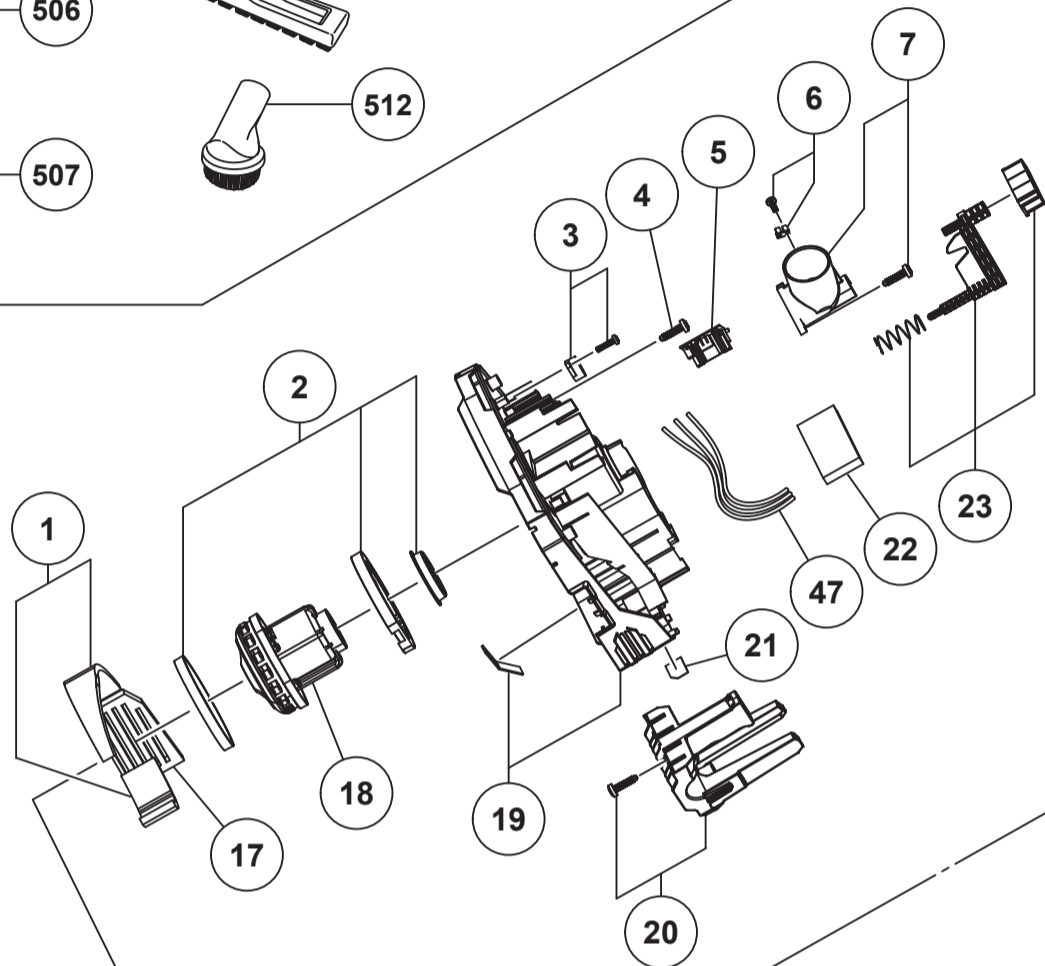
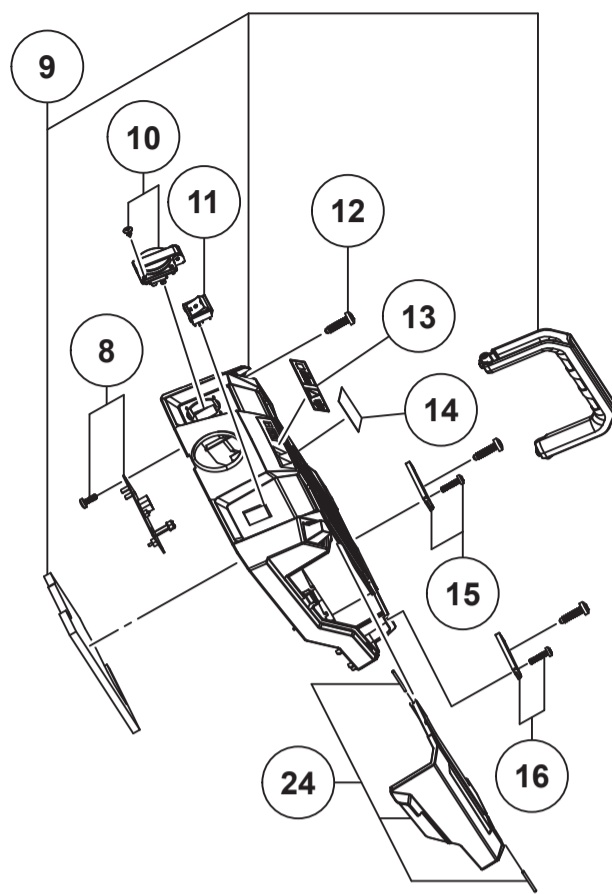
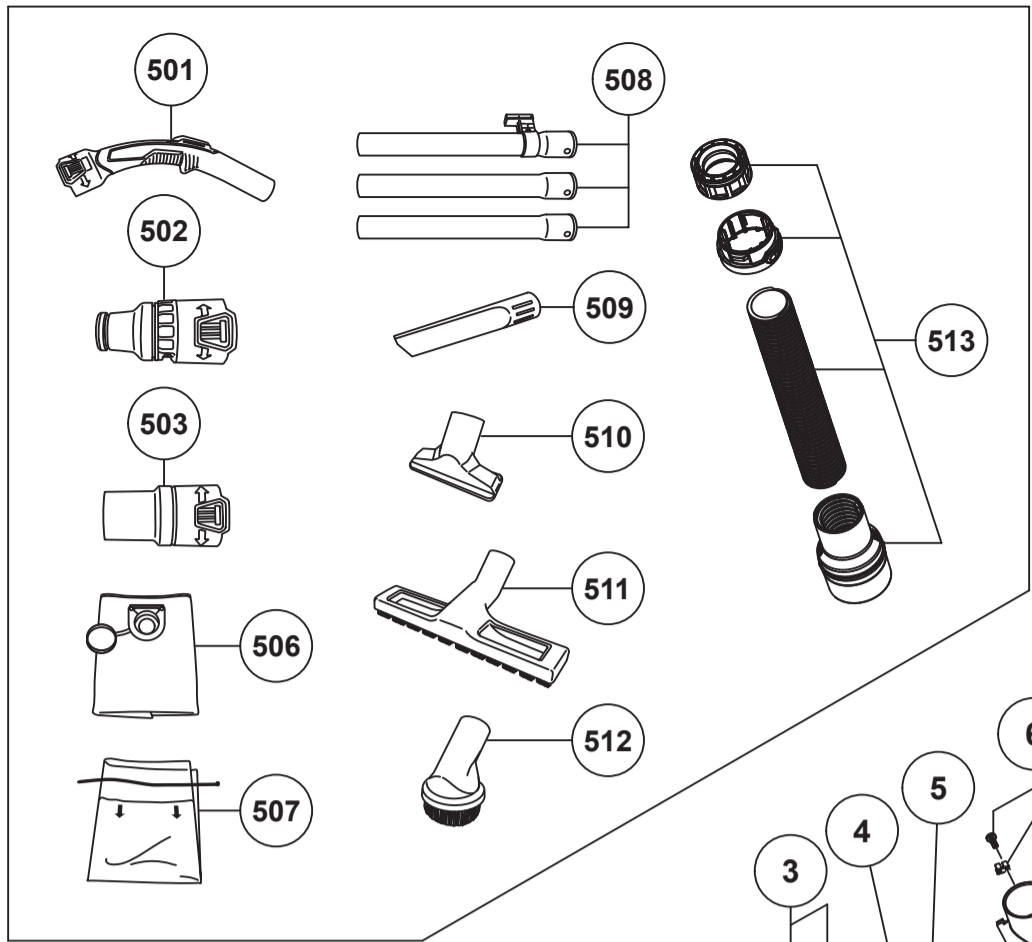


HIKOKI**POWER TOOL DUST COLLECTER RP300YM**

Item No.	Code No.	Description	No. Used	Remarks
1	381876	MOTOR SPONGE SET	1	
2	381879	MOTOR GASKETS SET	1	
3	381885	BUZZER SET	1	
4	381905	SCREW 4.8X19 (3 PCS.)	3	
5	381886	PCB (AUTO START-STOP)	1	
6	381887	GROUND TERMINAL SET	1	
7	381888	INLET SET	1	
8	381890	LED PCB (M/H) SET	1	
9	381895	HEAD (YL/YM/YH) SET	1	
10	381901	SOCKET (EU) SET	1	
11	381900	SWITCH (3WAY)	1	
12	381906	SCREW SET	1	
13	381898	PANEL LABEL (M/H)	1	
14	381896	CLEANING INDICATE LABEL	1	
15	381892	ATTACHMENT COVER (RIGHT) SET	1	
16	381893	ATTACHMENT COVER (LEFT) SET	1	
17	381877	OUTLET SPONGE	1	
18	381880	MOTOR (230V)	1	
19	381882	MIDDLE PLATE (M/H) SET	1	
20	381883	ACCESSORY FIXTURE SET	1	
21		NAME PLATE (RP300YM)	1	
22	381884	COOLING AIR OUTLET SPONGE	1	
23	381889	FILTER CLEANING BUTTON SET	1	
24	381891	COMPARTMENT LID SET	1	
25	381851	REAR WHEEL (2 PCS.)	2	
26	381849	TANK (30L)	1	
28	381858	FILTER COVER SET	1	
29	381908	PLEATED FILTER (M)	1	
30	381859	FILTER BASKET SET	1	
31	381860	FLOAT SET	1	
32	381861	DEFLECTOR SET	1	
33	381873	BUNGEE CORDS (2 PCS.)	2	
34	381874	INLET PLUG	1	
35	381875	SILICONE HOSE	1	
36	381850	CASTER WITH BRAKE (2 PCS.)	2	
37	381854	DUST CLASS M LABEL (30L)	1	
38	381856	FILTER LOCK (L/M) SET	1	
39	381864	CLAMP (2 PCS.)	2	
40	381872	CARRIER PLATE (M/H) SET	1	INCLUD.41,42
41	381863	FILTER RING SEALING (2 PCS.)	2	
42	381862	CARRIERE PLATE SEALING	1	
43	381867	CABLE (HO7RN-F 3X1.5MM2) SET	1	
44	381878	FILTER CLEANING VALVE SET	1	
45	381870	CABLE BRIDGE (3G) SET	1	
46	381868	COMPARTMENT SUPPORT SET	1	
47	381902	HARNESS (YM/YH) SET	1	
		STANDARD ACCESSORIES		
501	381916	HANDLE ADAPTER (ANTISTATIC)	1	
502	381914	COUPLING BUSH D28/35MM (ANTISTATIC)	1	
503	381917	COUPLING BUSH D40/45MM (ANTISTATIC)	1	
506	381924	FLEECE FILTER BAG (5 PCS.)	5	
507	381927	PE DISPOSAL BAG (30L) (5 PCS.)	5	
508	381922	METAL SUCTION TUBE SET	1	

* ALTERNATIVE PARTS



MODEL
RP300YM