



Rubinerterre Italiane Velatta SpA  
— since 1950 —

>> **YOU need the BEST**

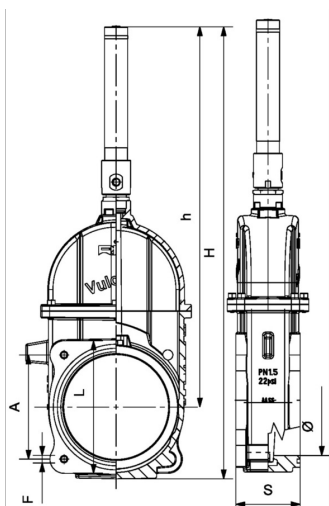
**Vulcano**  
Series



## RIV 94

Great capacity two-flange piston gate valve heavy type  
 metal/rubber tightness  
 with double-acting hydraulic jack  
 with O-ring gaskets

### » Tech drawings and tables



DN	Codice	Ø	H	h	S	L	F	A	PN	KG	P/box
8"	050094000020	191	781	655	111	230	M12	180	1,5 bar - 21 psi	29,428	1

## » Advantages

Gate valve with higher performances than the existing valves on sale.

Solid structure in cast iron, with a remarkable quality of hardness.

Great inner capacity to save the valve clogging.

Hermetic seal. Thanks to a new system of ours, we succeeded in combining the advantages and the hardness of the metal seat to the softness of the rubber, assuring at the same time a double tightness.

Anti-corrosion stainless steel screws.

Interchangeable with traditional types.

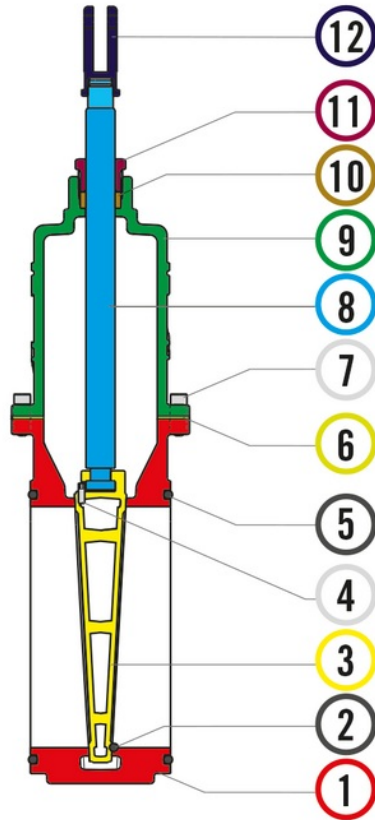
In accordance with 97/23/CE (PED) Directive.



>> Technical data

**RIV 90**

Nr.	Cod.
3	Riv 9819
5	Riv 9858
6	Riv 9839
7	Riv 9852
8	Riv 9829
9	Riv 9826
10	Riv 9840
11	Riv 9844
12	Riv 9854



Materials			
1	Body	Cast iron	EN-JGL-250
2	Wedge	Brass	CB754S
3	Screw	Stainless steel	AISI 304
4	O-Ring	NBR	
5	Gasket	Fibre	
6	Screw	Stainless steel	AISI 304
7	Stem	Brass	CW614N
8	Cap	Cast iron	EN-JGL-250
9	Tow Packing	Fibre	
10	Stuffing-Box	Brass	CW614N
11	Fork	Brass	CW617N

Connection	Square flange
Limit	0°C (+32°F) without liquid +60°C (+140°F)
Notes	<p>&gt;&gt; Riv 163 Hydraulic jack</p> <p><b>MINIMUM OPERATING PRESSURE:</b> 120 Bar (1740 Psi)</p> <p><b>MAXIMUM OPERATING PRESSURE:</b> 170 Bar (2465 Psi)</p>
Notes	The max. working pressure (PN) means at a room temperature of about 23°C.

» More Products



**RIV 90**

Great capacity two-flange piston gate valve heavy type metal/rubber tightness with O-ring gaskets



**RIV 93**

Great capacity two-flange piston gate valve heavy type metal/rubber tightness with double-acting pneumatic jack in aluminium PPS system with O-ring gaskets



**RIV 97**

Great capacity two-flange piston gate valve heavy type metal/rubber tightness with single-acting hydraulic jack with O-ring gaskets



**RIV 99**

Great capacity two-flange piston gate valve heavy type metal/rubber tightness with single-acting ram spring hydraulic jack with O-ring gaskets