



Rubetterie Italiane Velatta SpA

— since 1950 —

>> **YOU need the BEST**

*gold*

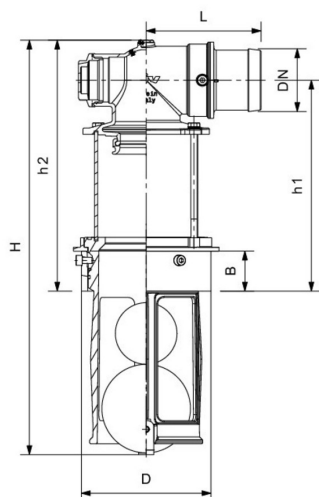
**Series**



## RIV 411

Primary shut-off valve  
 with double ball and sight  
 glass

### » Tech drawings and tables



DN	Codice	H	L	B	D	h1	h2	PN	KG	P/box
45	050411000052	458	119	50	133	245	292	3bar - 45psi	5,336	1
50	050411000053	458	119	50	133	245	292	3bar - 45psi	5,287	1
60	050411000055	458	126	50	133	245	292	3bar - 45psi	5,305	1
75	050411000059	540	147	52	168	274	326	3bar - 45psi	7,880	1
80	050411000061	540	149	52	168	274	326	3bar - 45psi	7,787	1

## »» Advantages

360° orientation

Techno-polymer basket for a better crash- and corrosion resistance

Possible application of a pressure relief valve 1"1/2 for DN 45, 50 & 60, 2" for DN 75 e 80 and a mano-vacuummeter size 1/4"

»» RIV Rubinetterie Italiane Velatta S.p.A  
Via delle Acacie 8 Zona Industriale D4  
P. O.Box 64  
28075 GRIGNASCO (NO) ITALY  
Tel +39 0163 4151  
Fax +39 0163 411914

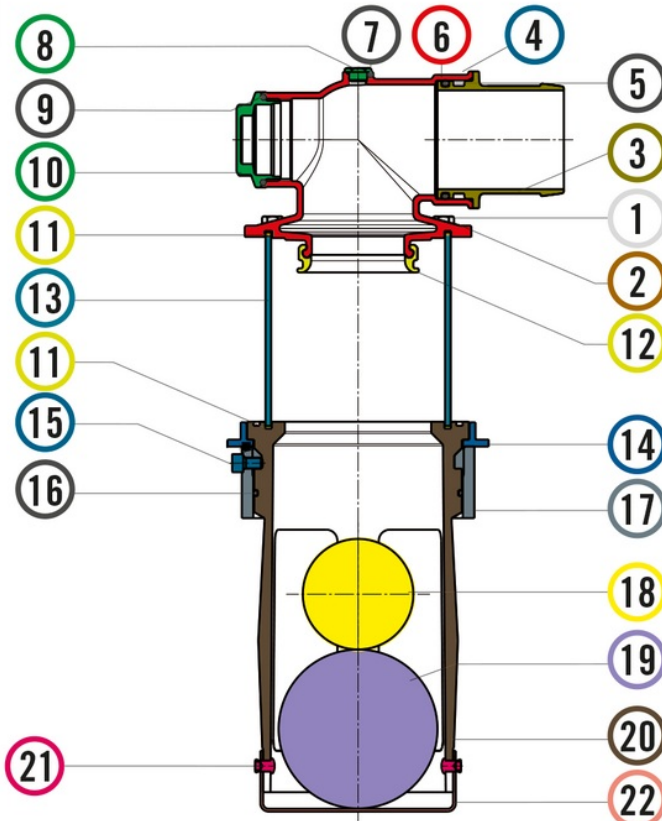
»» Capitale sociale € 516.000 i.v.  
Reg. Imprese di Novara N° 00469610026  
R.E.A. di Novara N° 170397  
Numero Meccanografico NO009263  
Codice Fiscale 00469610026  
Partita IVA IT 01399720034

»» E - mail [riv-vg@riv-vg.com](mailto:riv-vg@riv-vg.com)  
[vendite.italia@riv-vg.com](mailto:vendite.italia@riv-vg.com)  
[export.sales@riv-vg.com](mailto:export.sales@riv-vg.com)  
Web [www.riv-vg.com](http://www.riv-vg.com)



» Technical data

**RIV 411**



Materials			
1	Screw	Stainless steel	AISI 304
2	Washer	Stainless steel	AISI 304
3	Hose-connection	Brass	CB754S
4	Hex screw	Stainless steel	AISI 304
5	O-Ring	NBR	
6	Body	Brass	CB754S
7	O-Ring	NBR	
8	Plug	Brass	CW614N
9	O-Ring	NBR	
10	Plug	Brass	CW617N
11	Gasket	NBR	
12	Gasket	NBR	
13	Sight glass	PMMA	
14	Screwed ring	Brass	CB754S
15	Hex screw	Stainless steel	AISI 304
16	O-Ring	NBR	
17	Ring	Steel	
18	Ball	EPDM	Wood core
19	Ball	PEDH	
20	Basket	PP	Blue
21	Rivet	Brass	CW614N
22	Bracket	Stainless steel	AISI 430

Nr.	Cod.
3	Riv 9905
5	Riv 9909
18	Riv 9912
19	Riv 9911

Connection	Hose-connection
Limit	0°C (+32°F) without liquid +60°C (+140°F)
Notes	The max. working pressure (PN) means at a room temperature of about 23°C.

» More Products



**RIV 412**

Primary shut-off valve  
with double ball



**RIV 415**

Primary shut-off valve  
with double ball and sight glass