



Rubinetterie Italiane Velatta SpA

———— since 1950 ————

>> **YOU need the BEST**

NERONE
Series



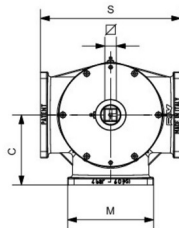
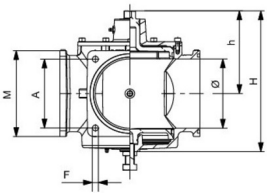
RIV 201

Flanged multi-function three-way diverter valve



» Tech drawings and tables

DN	Codice	Ø	H	h	S	F	A	∅	C	M	PN	KG	P/box
4"	050201000016	110	258	156	232	13	150	25	116	185	4bar - 58psi	19,066	1
6"	050201000019	151	307	180	305	13	150	25	152,5	187	4bar - 58psi	31,930	1
8"	050201000020	196	420	246	360	13	180	34	180	231	4bar - 58psi	68,537	1



»» Advantages

Innovative anti-blocking cylindrical plug, "Trunnion Mounted System".

Thanks to a sophisticated high-resistance rubber seat, NERONE can guarantee a perfect tightness even with vacuum, a feature that is almost impossible to find in the traditional plug cocks, in which the tightness is obtained through the contact between two metal surfaces.

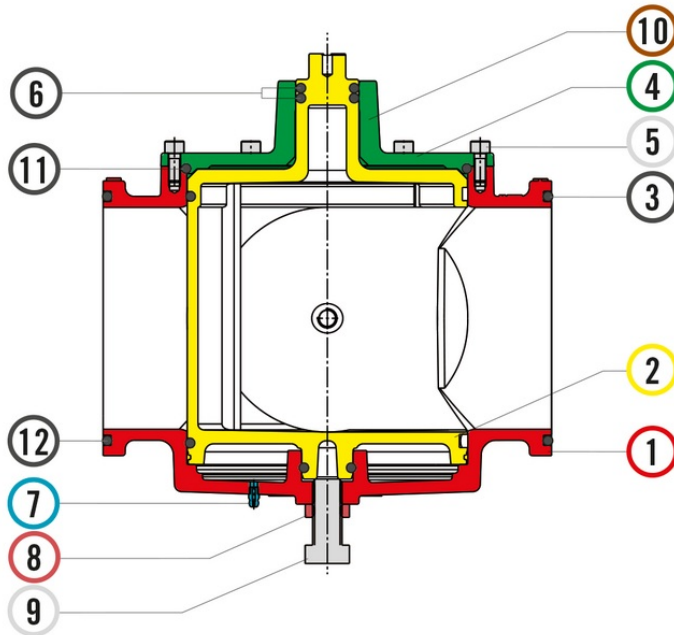
Its particular inner "non-clogging" design makes it suitable to be used as diverter or dosing valve.

Nerone is another RIV patent.



» Technical data

RIV 201



Materials			
1	Body	Cast iron	EN-JGL-250
2	Plug	6"Brass - 8"Cast iron	CB754S - EN-GJL-250
3	O-Ring	NBR	
4	Cover	Cast iron	EN-JGL-250
5	Screw	Stainless steel	AISI 304
6	O-Ring	NBR	
7	Grease box	Steel	
8	Nut	Stainless steel	AISI 304
9	Screw	Stainless steel	AISI 304
10	Cylindrical pin	Steel	
11	O-Ring	NBR	
12	O-Ring	NBR	

Nr.	Cod.
3	Riv 9858

Connection	Square flange
Limit	0°C (+32°F) without liquid +60°C (+140°F)
Notes	The max. working pressure (PN) means at a room temperature of about 23°C.