



Rubinerterie Italiane Velatta SpA
————— since 1950 —————

>> **YOU need the BEST**

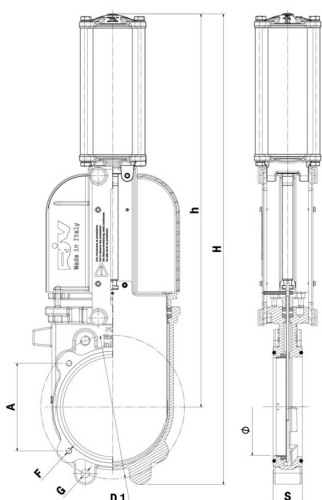
GLadio
Series



RIV 123

Knife gate valve
 with double-acting pneumatic
 jack
 with O-ring gaskets
 flanges PN 10

» Tech drawings and tables



DN	Codice	Ø	H	h	S	F	A	D1	G	PN	KG	P/box
4"	050123000016	100	664	558	50	M12	150	180	M16	10bar - 145psi	18,540	1
5"	050123000018	125	744	624	50	M12	150	210	M16	10bar - 145psi	19,859	1
6"	050123000019	150	814	680	60	M12	150	240	M20	10bar - 145psi	24,720	1
8"	050123000020	200	967	808	60	M12	180	295	M20	8bar - 120psi	29,664	1
10"	050123000021	250	1222	1025	70	-	-	350	M20	7bar - 100psi	58,710	1
12"	050123000022	300	1437	1205	70	-	-	400	M20	6bar - 85psi	73,645	1

» Advantages

GLADIO is a gate valve where, in addition to the aesthetic side, our engineers have managed the particular features and details, trying not to leave anything to chance.

In order to be able to cover a wide range of use, GLADIO is standard equipped with double flanging, one for the fitting with square flange for agricultural use of standard dimensions and a DIN PN 10 one, or ANSI 150 for the American market.

Due to its special design feature, GLADIO is a gate valve called "anti-clogging" and can be installed in any position.

Large-size self-cleaning seat.

Security: GLADIO has a robust protective casing, which completely isolates the moving parts of the gate valve.

Set-up for manoeuvre lever attachments on the valve body.

Stainless steel screws and tie rods to prevent corrosion.

Equipped with an open/closed position indicator.

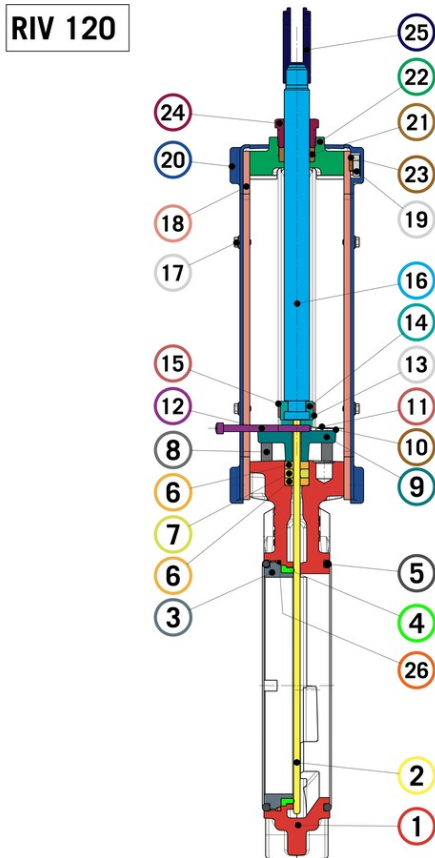
Simple maintenance: all parts, when worn out, are easily replaceable.

Complies with the Directive 97/23/CE (PED).

» Approvals



>> Technical data



Materials			
1	Body	Cast iron	EN-GJL-250
2	Blade	Stainless steel	AISI 304
3	Ring	Stainless steel	AISI 304
4	Gasket	HNBR	
5	O-Ring	NBR	
6	Gland packing	Fibre	
7	Gasket	NBR	
8	Stud	Stainless steel	AISI 304
9	Gland packing box	Cast iron	EN-GJL-250
10	Washer	Stainless steel	AISI 304
11	Nut	Stainless steel	AISI 316
12	Position indicator	Steel	
13	Screw	Stainless steel	AISI 304
14	Blade connection	Brass	CW617N
15	Nut	Steel	Zinc-plated
16	Stem	Brass	CW614N
17	Screw	Stainless steel	AISI 304
18	Clamp	Steel	Zinc-plated
19	Screw	Stainless steel	AISI 304
20	Casing	PP	
21	Tow packing	Fibre	
22	Cap	Cast iron	EN-GJL-250
23	Washer	Stainless steel	AISI 304
24	Stuffing-box	Brass	CW614N
25	Fork	Brass	CW617N
26	O-Ring	NBR	

Connection	Square flange / PN 10 - ANSI 150
Limit	0°C (+32°F) without liquid +60°C (+140°F)
Notes	The max. working pressure (PN) means at a room temperature of about 23°C. >> RIV 164 Pneumatic jack
Notes	MINIMUM OPERATING PRESSURE: 6" , 8" = 6 Bar (87 Psi)
Notes	MAXIMUM OPERATING PRESSURE: 10 Bar (145 Psi)
Notes	Please use flanges EN1092-1 type 1 (Welding Neck)

» More Products



RIV 120

Knife gate valve
 with O-ring gaskets
 flanges PN 10



RIV 119

Knife gate valve without upper part
 with O-ring gaskets
 flanges PN 10



RIV 121

Knife gate valve
 with handwheel
 with O-ring gaskets
 flanges PN 10



RIV 122

Knife gate valve
 with double-acting pneumatic jack
 and position sensors
 with O-ring gaskets
 flanges PN 10



RIV 124

Knife gate valve
 with double-acting hydraulic jack
 with O-ring gaskets
 flanges PN 10



RIV 125

Knife gate valve
 with two double-acting hydraulic
 jacks
 with O-ring gaskets
 flanges PN 10



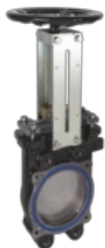
RIV 126

Knife gate valve with electric
 actuator 12V dc
 with O-ring gaskets
 flanges PN 10



RIV 130

Knife gate valve
 with O-ring gaskets
 flanges ANSI 150



RIV 131

Knife gate valve
with handwheel
with O-ring gaskets
flanges ANSI 150



RIV 132

Knife gate valve
with double-acting pneumatic jack
and position sensors
with O-ring gaskets
flanges ANSI 150



RIV 133

Knife gate valve
with double-acting pneumatic jack
with O-ring gaskets
flanges ANSI 150



RIV 134

Knife gate valve
with double-acting hydraulic jack
with O-ring gaskets
flanges ANSI 150