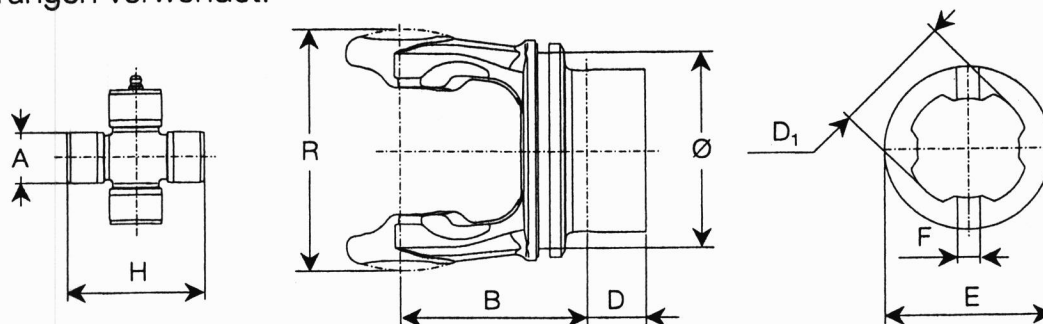


Gabeln für einfaches Kardangelenk

Gabeln für 4-Keilprofil-Außenrohr

Dieser Gabeltyp wird für normale, rilsanbeschichtete und wärmebehandelte Profilpaarungen verwendet.



| | A | H | D ₁ | F | E | Ø | D | B | R | Ersatzteil-Nr. | |
|----|------|-------|----------------|----|----|-----|----|-----|-----|----------------|--------------|
| | mm | mm | mm | mm | mm | mm | mm | mm | mm | | |
| S1 | 22.0 | 54.0 | 35.2 | 8 | 47 | 59 | 17 | 58 | 67 | 204S16853 | 341036000R10 |
| S2 | 23.8 | 61.3 | 45.6 | 8 | 57 | 73 | 17 | 65 | 76 | 204S26854 | 341048000R10 |
| S4 | 27.0 | 74.6 | 50.2 | 8 | 62 | 73 | 22 | 73 | 89 | 204S46854 | 341038000R10 |
| S5 | 30.2 | 79.4 | 50.2 | 10 | 64 | 73 | 22 | 77 | 98 | 204S56858 | 341043000R10 |
| S6 | 30.2 | 79.4 | 53.9 | 10 | 74 | 89 | 24 | 77 | 98 | 204S66853 | 341053000R10 |
| S7 | 30.2 | 91.5 | 53.9 | 10 | 74 | 89 | 28 | 82 | 108 | 204S76855 | 341053000R10 |
| S8 | 34.9 | 93.5 | 58.2 | 10 | 76 | 89 | 29 | 86 | 113 | 204S86853 | 341042000R10 |
| H8 | 34.9 | 93.5 | 66.0 | 10 | 76 | 89 | 29 | 86 | 113 | 2040L6869 | 341042000R10 |
| S9 | 34.9 | 106.0 | 66.0 | 10 | 88 | 99 | 31 | 91 | 124 | 204S96855 | 341046000R10 |
| SH | 42.0 | 107.5 | 70.2 | 10 | 92 | 103 | 33 | 97 | 130 | 2040N6853 | 341093000R10 |
| S0 | 42.0 | 130.0 | 70.2 | 10 | 95 | 103 | 33 | 108 | 151 | 2040S6855 | 341103000R10 |