

**Application**



F300 749

PVRE, PVRET and Prof joysticks from Sauer-Danfoss are generally used together with PVGs and PVEs, but can be used in any application. A complete range of joysticks from the simple PVRE handle with X-Y functions to the Prof 1 ergonomic handle with rollers and pushbuttons are available.

**Mechanical Design**

All handle variants share the same mechanical base to which the electronics are mounted. The mounting flange of the joystick is an integrated part of the mechanical base, which also contains a linkage that transfers handle movement to the electronics. The linkage also includes neutral positioning springs. The neutral positioning springs are designed to ensure a smooth return of the handle into neutral position. The maximum spring force is optimised to be just strong enough to keep the handle in position, even during operation in rough terrain, without interfering with the operation of the joystick or impairing its ergonomic characteristics.

Spring force	8-10 N
--------------	--------

**Main Function Module**

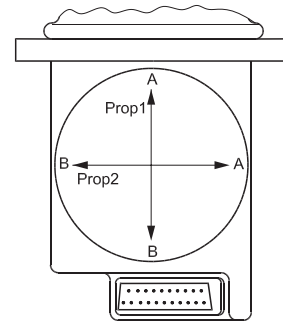
(Prop1 and Prop2)  
 The primary functions of the joystick are defined as its X and Y directions.

Main functions are potentiometers with integrated direction switches.

Each function has a working angle of  $\pm 18^\circ$ .

Signal range	Neutral signal
25% – 75%	50%
of supply voltage	

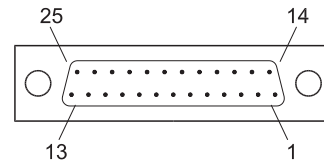
Note: When moving the handle diagonally the maximum signal range is not available.



162B89.10

**Connector**

All joysticks come with a common **25 pin male SUB-D connector** with M3 screws. (MIL - DTL - 24308)



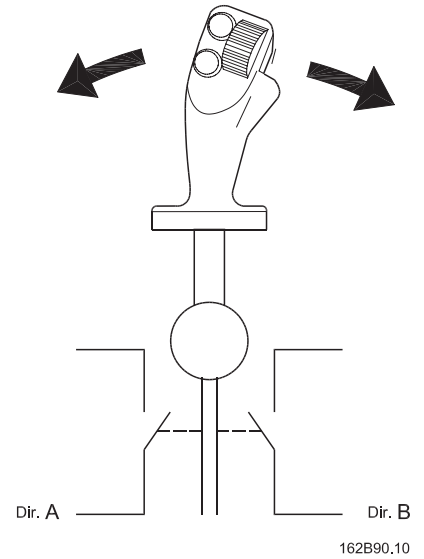
162B78.11

#### Direction Switches

Proportional modules have integrated direction switches. One switch is activated when the module is moved in the A direction, the other is activated when the module is moved in the B direction.

The direction switches are used to activate the neutral position switch, and with some electronic modules the direction switch outputs are available in the connector. (See details about electronics.)

There is a dead band in the joystick of approximately 1.5° before the direction switches are activated.



Note: The direction switches are independent from the signal voltage

#### Neutral Position Switch

The neutral position switch can supply up to 3 PVEs or other devices (see electrical details), and functions as both a power save and a safety switch.

The switch is only activated when one or more of the proportional modules are activated.

The operation of the neutral position switch is dependant on signals from the direction switches.

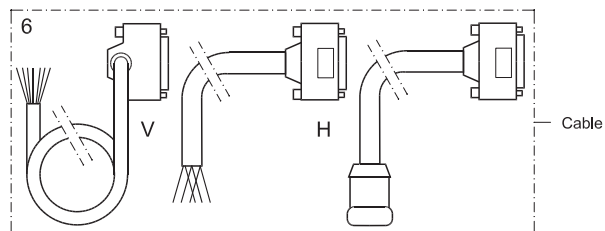
Sauer-Danfoss recommends that the neutral position switch be used to the greatest possible extent.

Note: When using the neutral position switch all three U<sub>DC</sub> wires as well as all three Neutral Switch wires **must** be connected.

#### Cables

For compatibility with different applications, a selection of mating cables are available:


Code no. 162B....	Length mm [in]	Plug type	Type
6013	4000 [157]	Leads	Vertical SUB-D
6014	4000 [157]	Leads	Horizontal Sub-D
6015	500 [19]	Clipper	-
6016	230 [9]	TrimTrio	-
6017	230 [9]	Tabs	PVRE compatibility



**PVRET Series 2**

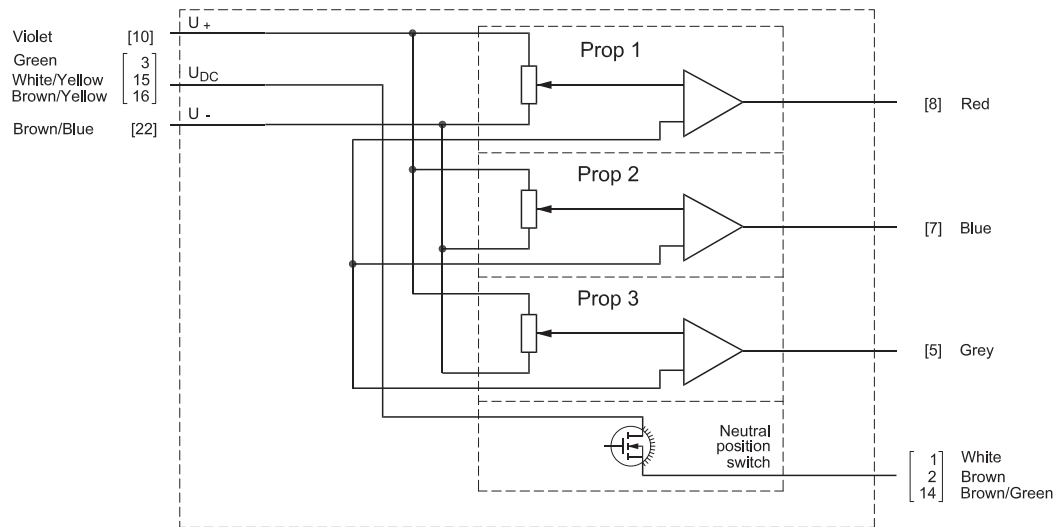
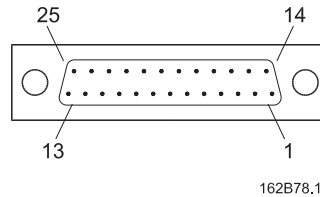
The PVRET series 2 is the successor to the popular PVRET joystick. This joystick builds on the known technology from the Prof family of joystick as well as the traditional handles from the PVRET series 1.

**Version**

Code no. 162F...	<b>1315 (1305)</b>
Symbol	 155B532.11

( ) Incl. PVRE series 1 adapter ring

**Connections**

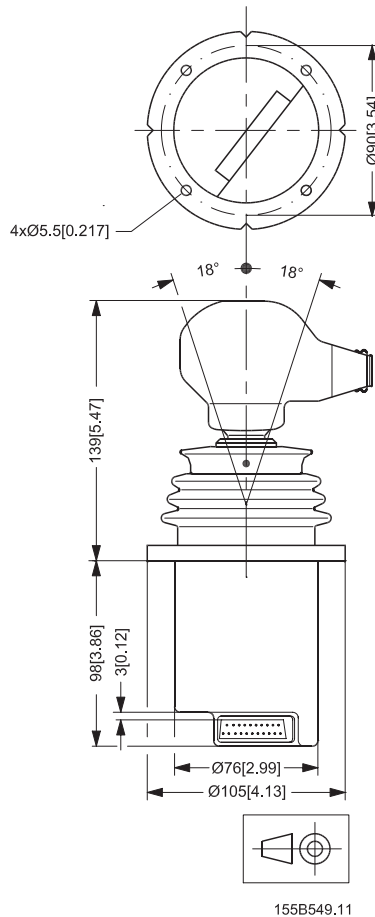


Numbers in [ ] indicate pin number in sub-D connector.

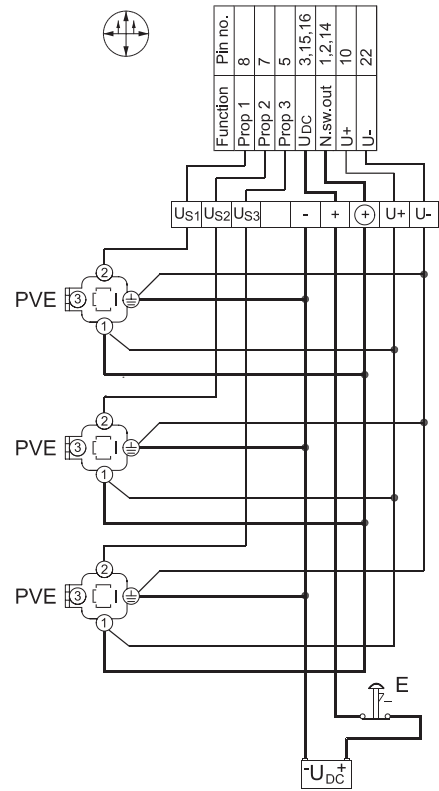
**Technical Data**

Enclosure	Below flange	IP 21	
	Above flange	IP 54	
Ambient temperature		-30 - +60° [-22 - +140°F]	
Supply voltages	$U_{DC}$	10-30 V	
	Max ripple	5%	
Current consumption		≈150 mA	
Signal voltage	$\frac{U_s}{U_{DC}}$	Min → Max	0.25 → 0.75
		Neutral position	0.50
Signal load in neutral position	Load type	PVE	Other
	Load impedance	>6 kΩ	>15 kΩ
Signal current at max movement		$\frac{U_s - 0.5 \times U_{DC}}{6 \text{ k}\Omega}$	$\frac{U_s}{15 \text{ k}\Omega}$
	@ $U_{DC} = 12 \text{ V}$	±0.6 mA	0.2 → 0.6 mA
	@ $U_{DC} = 24 \text{ V}$	±1.2 mA	0.4 → 1.2 mA
	@ $U_{DC} = 12 \text{ V}$	±0 mA	0.4 mA
Signal current in neutral position	@ $U_{DC} = 12 \text{ V}$	±0 mA	0.4 mA
	@ $U_{DC} = 24 \text{ V}$	±0 mA	0.8 mA
On/Off switch	Max load	0.6 A	
Neutral position switch	Max load	3 A	

**Dimensions**



**Examples of Use**



E — : Emergency stop  
 — : Signal leads  
 - - - : Supply leads

155B552.10