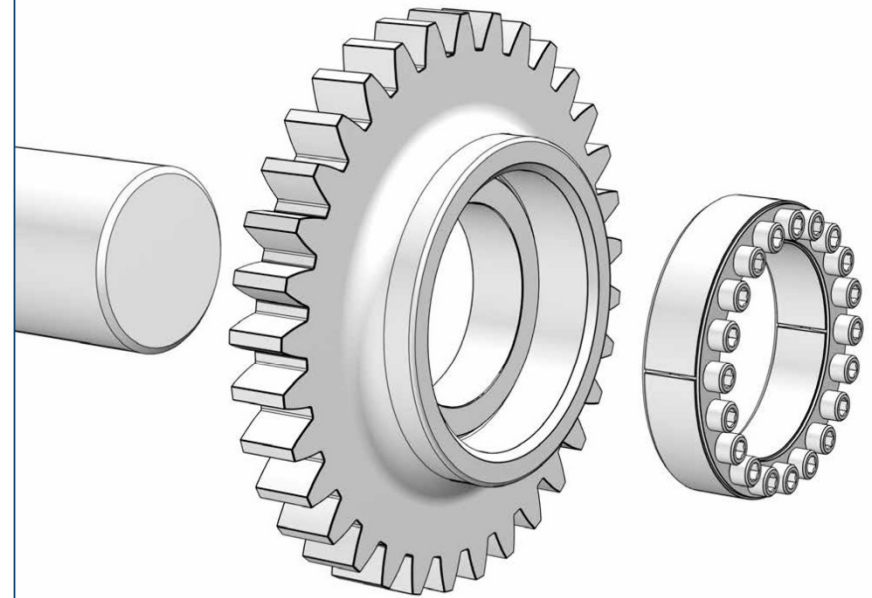


Installation, Removal, Maintaining Locking Assemblies



RfN 7012



RfN 7012
stainless steel



RfN 7012.2

EN
06|2013

Safety instructions

- Rotating machine parts may injure operators and service staff!
Therefore:
- Switch off the drive before assembly work.
 - Safeguard the machine against accidental switch-on.
 - Mount all covers and protection devices before switching on the machine.
 - RINGFEDER® products may only be mounted by specialist staff and for suitable applications.

Attention

- Study the assembly instructions thoroughly.
- Contravention of assembly or safety instructions will void all claims under warranty.
- RINGFEDER® reserves the right to technical changes to improve the product.
- RINGFEDER® locking assemblies are accepted state of the art.

For any questions or technical problems, please contact our technicians and engineers. See overleaf for contact details.

Used Lubricants

Designation	CAS number (ROHS):
Shell Omala 220 Gear / Bearing oil	-

Legend

Installation Removal Maintaining Cleaning Oil hub and shaft lightly, if necessary (do not use oil containing MoS2)

Check screw for deformation and replace, if necessary Repeat the described procedure cross-wise the specified number of times Repeat the described procedure as many times as specified Check for permissible peak-to-valley height Attention! Absolutely observe!

Refer to the current locking assemblies catalogue for data on the required torques. Please check whether the manufacturer of the machine / plant has specified different torques.

