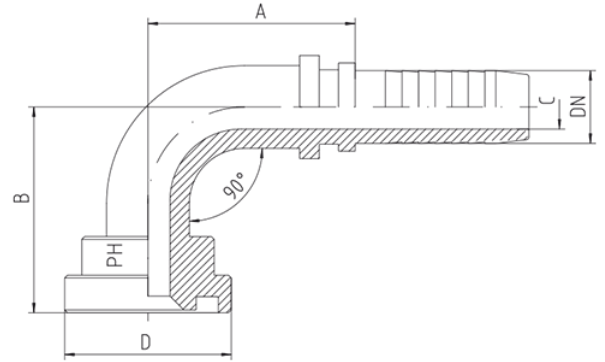


## Rubrik 2.49

### 90°-Elbow



SAE J 518 / ISO 6162 SFL 3 = 3.000 P.S.I. - 90° SFS 6 = 6.000 P.S.I. - 90°

Hose	Bore	Flange Dimensions		Approx. Dimensions			Order-Code
DN	in.	D	in.	A	B	C	

#### Series 3.000 P.S.I.

12	1/2"	30,2	1/2"	45,0	54,0	9,5	SFL3-1/2"-90°-DN 12
16	5/8"	30,2	1/2"	58,0	58,0	12,0	SFL3-1/2"-90°-DN 16
12	1/2"	38,1	3/4"	56,0	60,0	9,5	SFL3-3/4"-90°-DN 12
16	5/8"	38,1	3/4"	74,0	61,0	12,0	SFL3-3/4"-90°-DN 16
19	3/4"	38,1	3/4"	75,0	68,0	14,5	SFL3-3/4"-90°-DN 19
19	3/4"	44,5	1"	75,0	73,0	14,5	SFL3-1"-90°-DN 19
25	1"	44,5	1"	85,0	77,0	20,0	SFL3-1"-90°-DN 25
25	1"	50,8	1 1/4"	104,0	89,0	20,0	SFL3-1 1/4"-90°-DN 25
31	1 1/4"	50,8	1 1/4"	102,0	92,0	25,0	SFL3-1 1/4"-90°-DN 31
38	1 1/2"	50,8	1 1/4"	121,0	101,0	31,0	SFL3-1 1/4"-90°-DN 38
31	1 1/4"	60,3	1 1/2"	124,0	92,5	25,0	SFL3-1 1/2"-90°-DN 31
38	1 1/2"	60,3	1 1/2"	118,0	106,0	31,0	SFL3-1 1/2"-90°-DN 38
38	1 1/2"	71,4	2"	120,0	120,0	31,0	SFL3-2"-90°-DN 38
51	2"	71,4	2"	146,0	144,0	42,0	SFL3-2"-90°-DN 51
60	2 3/8"	84,1	2 1/2"				SFL3-2 1/2"-90°-DN 60
63	2 1/2"	84,1	2 1/2"	213,0	183,0	55,0	SFL3-2 1/2"-90°-DN 63
76	3"	101,5	3"				SFL3-3"-90°-DN 76
80		101,5	3"				SFL3-3"-90°-DN 80

**Series 6.000 P.S.I.**

12	1/2"	31,7	1/2"	44,0	56,0	9,5	SFS6-1/2"-90°-DN 12
16	5/8"	31,7	1/2"	59,0	60,0	12,0	SFS6-1/2"-90°-DN 16
12	1/2"	41,3	3/4"	55,5	62,0	9,5	SFS6-3/4"-90°-DN 12
16	5/8"	41,3	3/4"	56,0	61,0	12,0	SFS6-3/4"-90°-DN 16
19	3/4"	41,3	3/4"	75,0	70,0	14,5	SFS6-3/4"-90°-DN 19
19	3/4"	47,6	1"	77,0	72,0	14,5	SFS6-1"-90°-DN 19
25	1"	47,6	1"	84,0	78,0	20,0	SFS6-1"-90°-DN 25
25	1"	54,0	1 1/4"	105,0	91,0	20,0	SFS6-1 1/4"-90°-DN 25
31	1 1/4"	54,0	1 1/4"	103,0	92,0	25,0	SFS6-1 1/4"-90°-DN 31
31	1 1/4"	63,5	1 1/2"	124,0	95,0	25,0	SFS6-1 1/2"-90°-DN 31
38	1 1/2"	63,5	1 1/2"	124,0	104,0	31,0	SFS6-1 1/2"-90°-DN 38
38	1 1/2"	79,4	2"	120,0	122,0	31,0	SFS6-2"-90°-DN 38
51	2"	79,4	2"	147,0	139,0	41,0	SFS6-2"-90°-DN 51