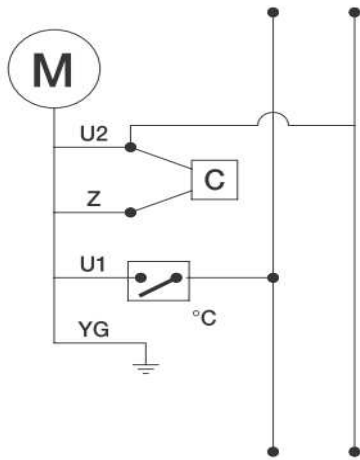




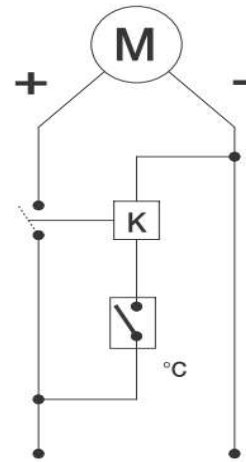
Elektrische Installation

Electric Wiring



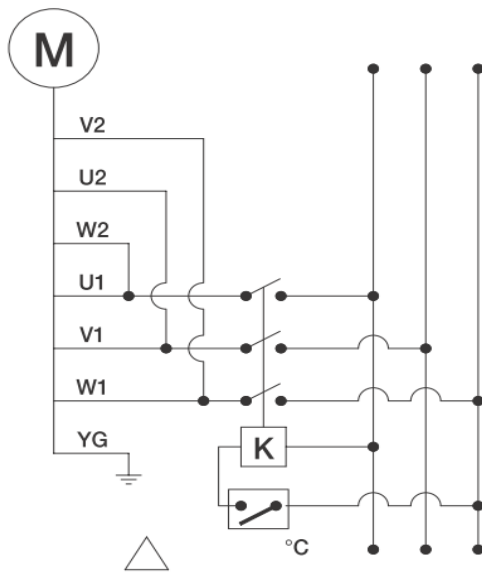
230V AC 1 PHASE

°C = Themostato NA. / Thermostat No.
 C = condensator / Kondensator
 U2 = black / Schwarz
 U1 = blue / Blau
 Z = brown / Braun
 YG = ground / Erde



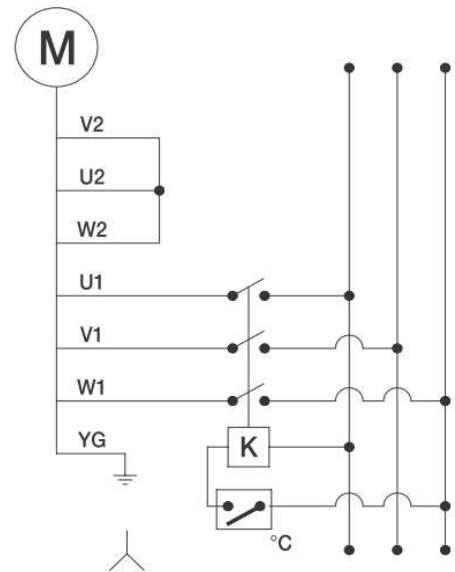
12-24V DC

°C = Themostato NA. / Thermostat No.
 K = Relais / Relay



230V AC 3 PHASE

°C = Themostato NA. / Thermostat No.
 K = Relais / Relay
 U1 = black / Schwarz
 U2 = green / Grün
 W1 = brown / Braun
 W2 = yellow / Gelb
 V1 = blue / blau
 V2 = white / Weiss
 YG = ground / Erde



400V AC 3 PHASE

°C = Themostato NA. / Thermostat No.
 K = Relais / Relay
 U1 = black / Schwarz
 U2 = green / Grün
 W1 = brown / Braun
 W2 = yellow / Gelb
 V1 = blue / blau
 V2 = white / Weiss
 YG = ground / Erde