

MPT

Multifunction

Multipoint



Maximum pressure 8 bar
Flow rates to 300 l/min

Filter housing (Materials)

- Head: Aluminium
- Cover: Nylon
- Bowl: Nylon

Pressure

- Working pressure: 8 bar

Temperature

- From -25 °C to +110 °C

Bypass valve

- Opening pressure 1.75 bar ±10%
- Opening pressure 3 bar ±10%

Δp Elements type

- Series N and H elements: 10 bar
- Oil flow from outside to inside.

Seals

- Standard NBR series A
- Optional FPM series V

MPT FILTERS ARE PROVIDED FOR VERTICAL MOUNTING

Weights (kg)

Length	1	2	3	4
• MPT 025	0,41	0,45	0,50	-
• MPT 027	0,44	0,48	0,55	-
• MPT 101	1,00	1,05	1,15	1,40
• MPT 104	1,10	1,15	1,25	1,50
• MPT 110-120	1,00	1,05	1,15	1,40
• MPT 114	1,10	1,15	1,25	1,50

Volumes (dm³)

Length	1	2	3	4
• MPT 025	0,24	0,35	0,42	-
• MPT 027	0,24	0,35	0,42	-
• MPT 101	0,72	0,93	1,28	1,74
• MPT 104	0,72	0,93	1,28	1,74
• MPT 110-120	0,72	0,93	1,28	1,74
• MPT 114	0,72	0,93	1,28	1,74

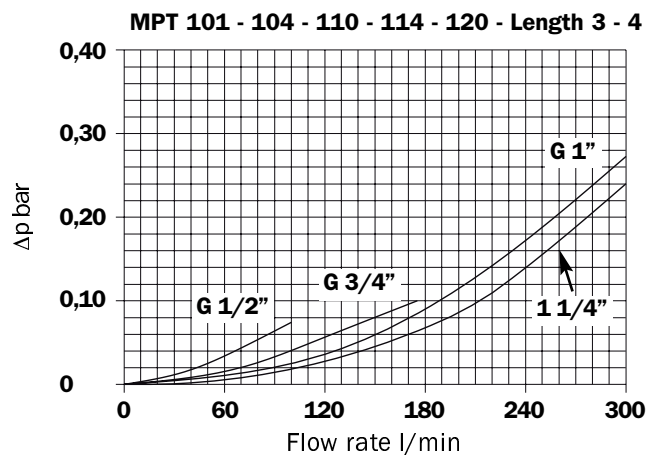
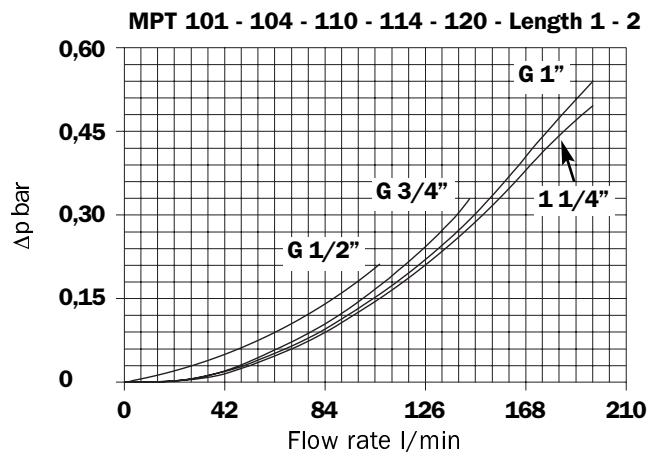
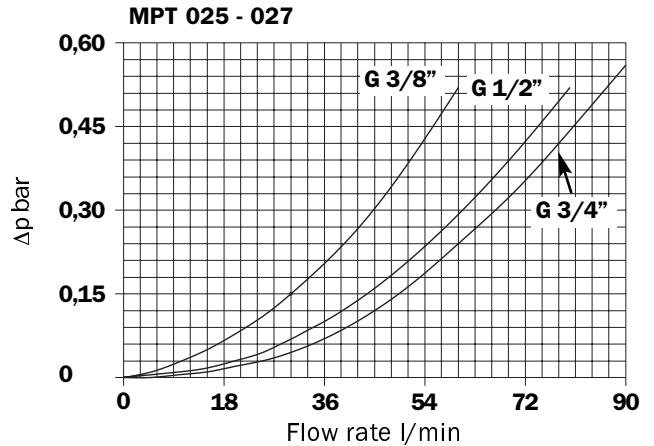
Compatibility (to ISO 2943)

- Housings compatible with:
Mineral oils, synthetic fluids,
Aqueous emulsions, water and glycol
(series W required).
- The filter elements are compatible with:
Mineral oils, synthetic fluids,
Aqueous emulsions, water and glycol
(series W required).
- NBR seals series A, compatible with:
Mineral oils, synthetic fluids,
Aqueous emulsions, water and glycol.
- FPM seals V series, compatible with:
Synthetic fluids type HS-HFDR-HFDS-HFDU

Filter housings Δp pressure drop

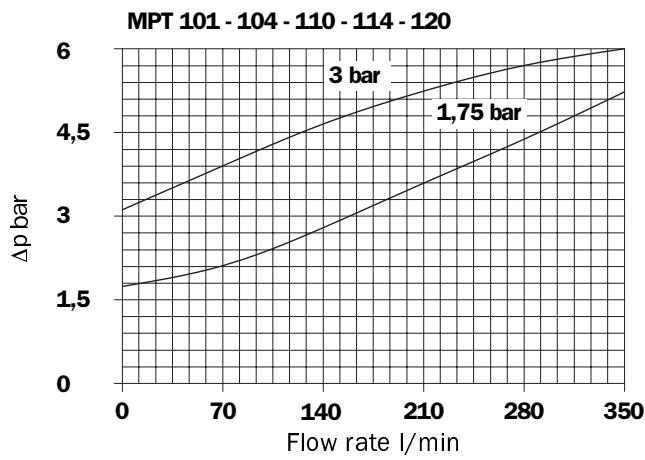
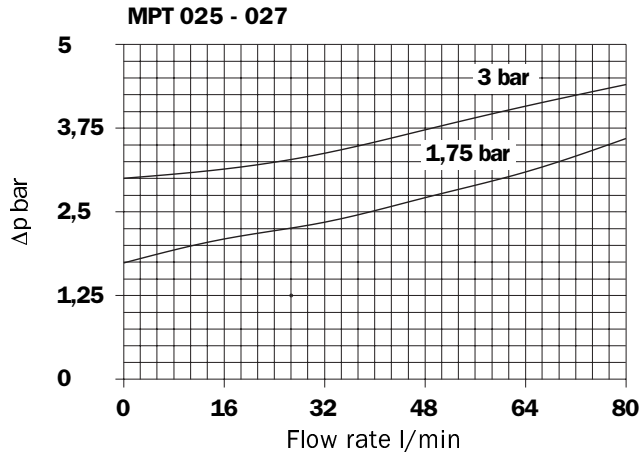
The curves are plotted utilising mineral oil with density of 0.86 kg/dm³ to ISO 3968.

Δp varies proportionally with density.



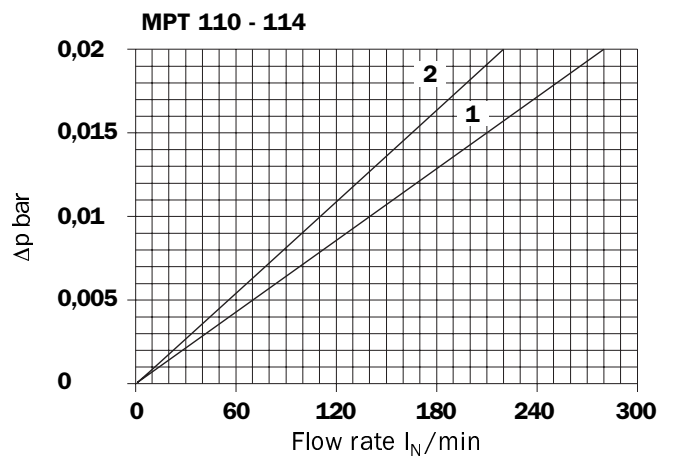
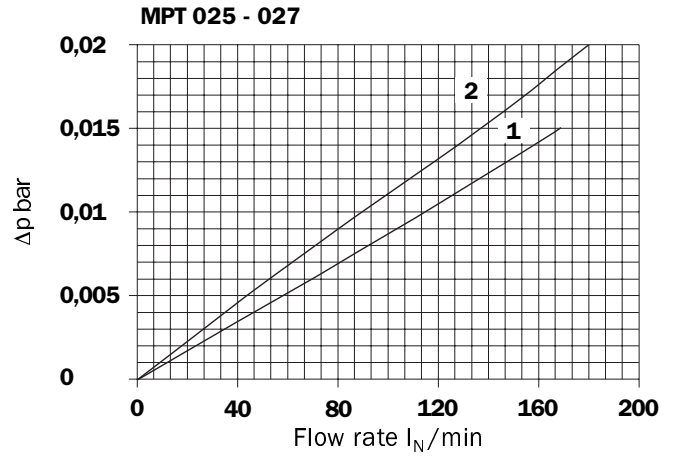
Valves

Bypass valve pressure drop



Air breather

Pressure drop



- 1: C With air breather 10 μ
- 2: D With anti-splash and SAP50 10 μ

Recommended maximum flow rate

- Pressure drop of filter assembly equal to Δp 0,5 bar.
- Oil kinematic viscosity 30 mm²/s (cSt).
- Density 0,86 kg/dm³.

Filtration

	Length	A03	A06	A10	A16	A25	P10	P25	M25 - M60 - M90	
MPT 025 - 027	1	6	9	23	28	42	50	54	110	
	2	16	19	45	48	55	64	67	110	
	3	21	24	50	55	59	70	75	110	
MPT 101 - 104	1	17	20	53	56	64	86	94	290	
	110 - 114	2	28	38	64	75	95	110	120	290
	120	3	47	53	125	135	168	220	250	290
	4	780	88	180	185	195	260	280	290	

Flow rate l/min

MPT 110



Multiport - Multifunction
Standard
Single In Port



Multiport - Multifunction
Double In Port
Double Indicator Port



Multiport - Multifunction
Double In Port
Option: Drain Port
Indicator Port



Multiport - Multifunction
Double In Port
Option: Double Drain Port

MPT 120



Multiport - Multifunction
Triple In Port
Option: Double Drain Port

MPT 025 - 027



Multifunction
Air breather Port plugged
Indicator Port



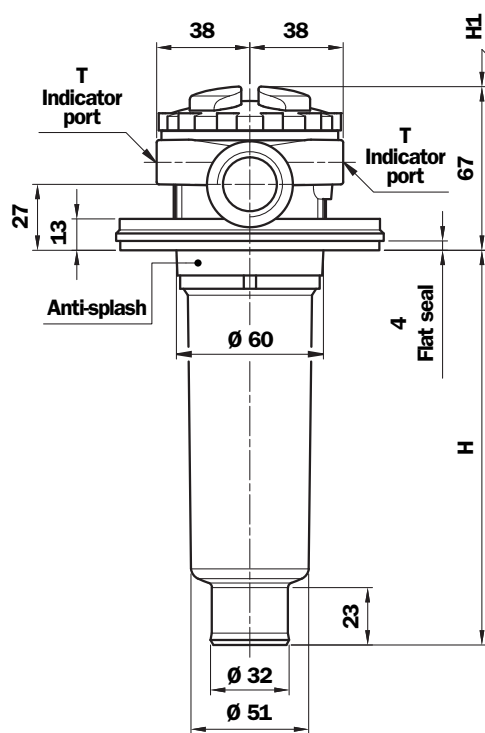
Multifunction
Air breather standard
Indicator Port



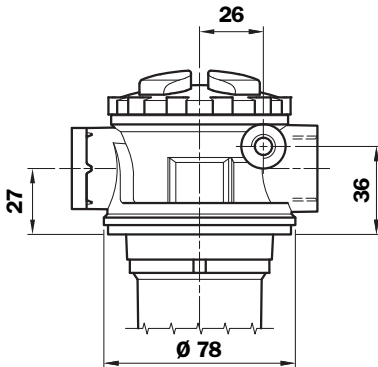
Multifunction
Air breather anti-splash & pressurized
Double Indicator Port

Dimensions

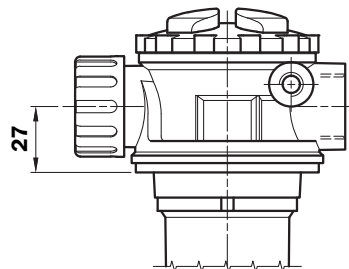
MPT 025



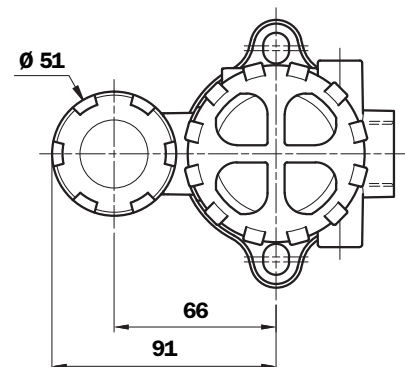
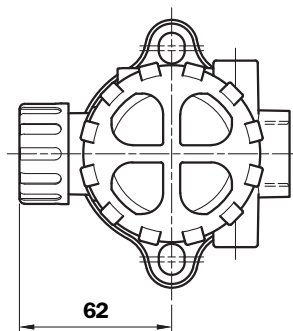
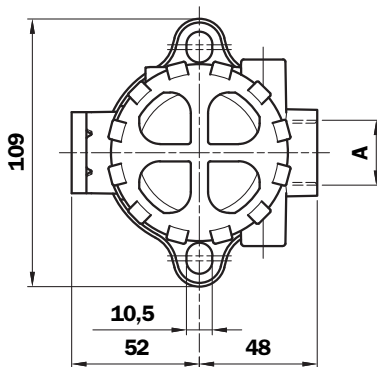
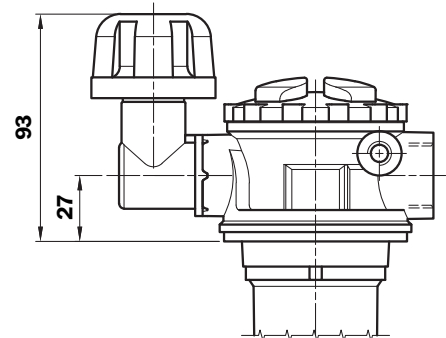
Version "S"
Without air breather



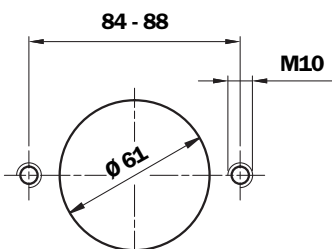
Version "C"
With air breather



Version "D" and "P"
Anti-splash and SAP50



Holes on the tank

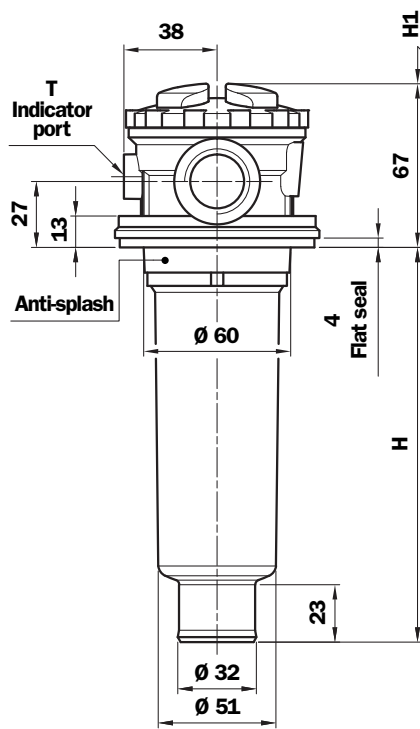


Thread connections

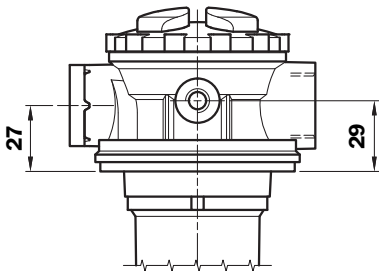
Type	A	T
G1	G 3/8"	G 1/8"
G2	G 1/2"	G 1/8"
G3	G 3/4"	G 1/8"
G4	3/8" NPT	1/8" NPT
G5	1/2" NPT	1/8" NPT
G6	3/4" NPT	1/8" NPT
G7	SAE 6 - 9/16" - 18 UNF	1/8" NPT
G8	SAE 8 - 3/4" - 16 UNF	1/8" NPT
G9	SAE 12 - 1 1/16" - 12 UN	1/8" NPT

Filter Length	H mm	H1 mm
1	99	130
2	163	195
3	202	230

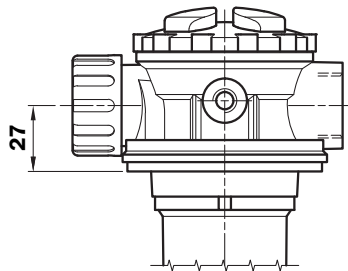
MPT 027



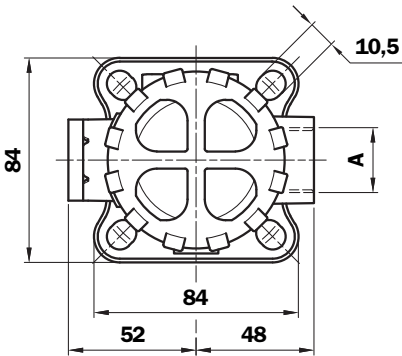
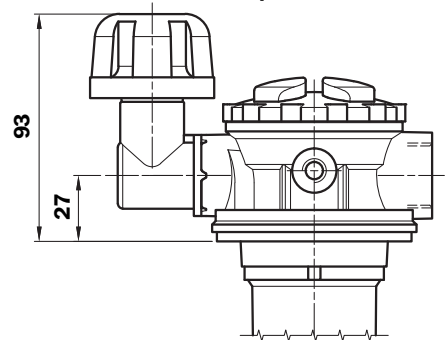
Version "S"
Without air breather



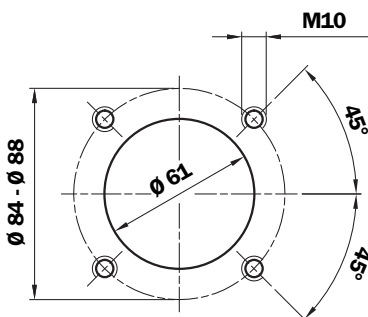
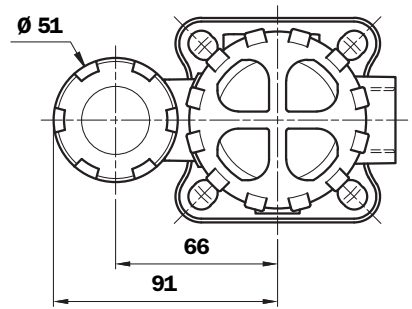
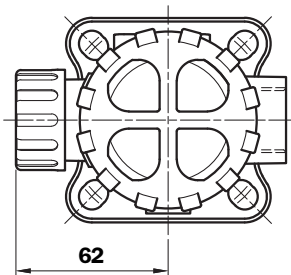
Version "C"
With air breather



Version "D" and "P"
Anti-splash and SAP50



Holes on the tank



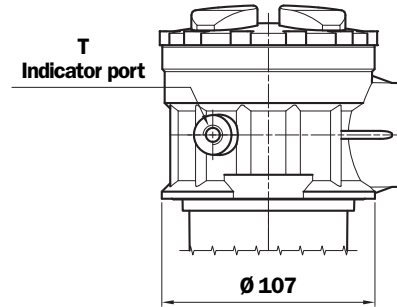
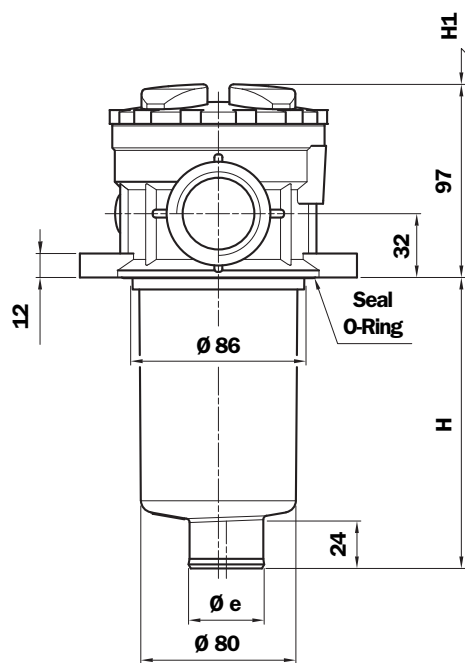
Thread connections

Type	A	T
G1	G 3/8"	G 1/8"
G2	G 1/2"	G 1/8"
G3	G 3/4"	G 1/8"
G4	3/8" NPT	1/8" NPT
G5	1/2" NPT	1/8" NPT
G6	3/4" NPT	1/8" NPT
G7	SAE 6 - 9/16" - 18 UNF	1/8" NPT
G8	SAE 8 - 3/4" - 16 UNF	1/8" NPT
G9	SAE 12 - 1 1/16" - 12 UN	1/8" NPT

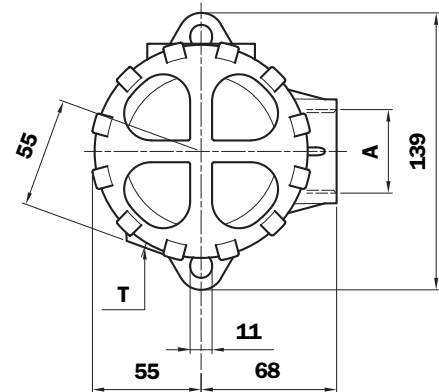
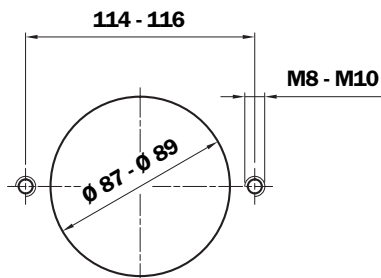
Filter Length	H mm	H1 mm
1	99	130
2	163	195
3	202	230

MPT 101

Without air breather



Holes on the tank



Thread connections

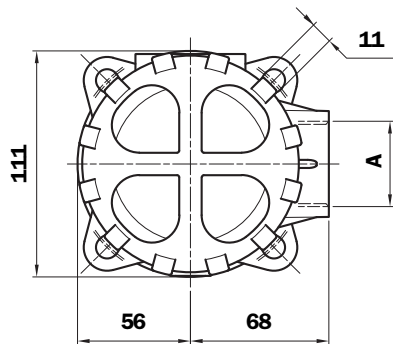
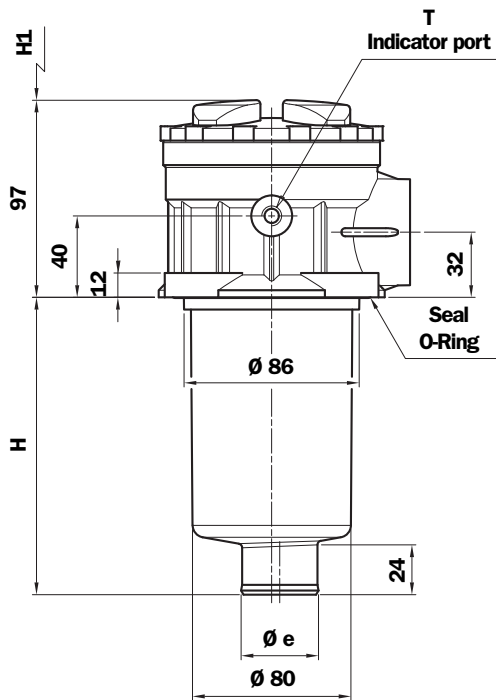
Type	A	T
G1	G 3/4"	G 1/8"
G2	G 1"	G 1/8"
G3	G 1 1/4"	G 1/8"
G4	3/4" NPT	1/8" NPT
G5	1" NPT	1/8" NPT
G6	1 1/4" NPT	1/8" NPT
G7	SAE 12 - 1 1/16" - 12 UN	1/8" NPT
G8	SAE 16 - 1 5/16" - 12 UN	1/8" NPT
G9	SAE 20 - 1 5/8" - 12 UN	1/8" NPT

T indicator port
G 1/4" - 1/4" NPT
ON REQUEST

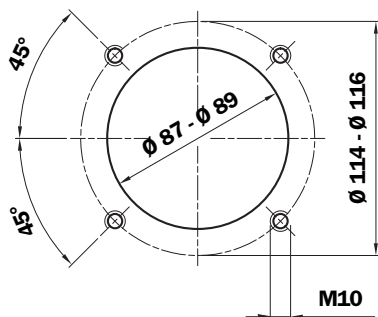
Filter Length	H mm	H1 mm	Ø e mm
1	99	120	38
2	146	170	38
3	224	250	46,5
4	326	350	46,5

MPT 104

Without air breather



Holes on the tank



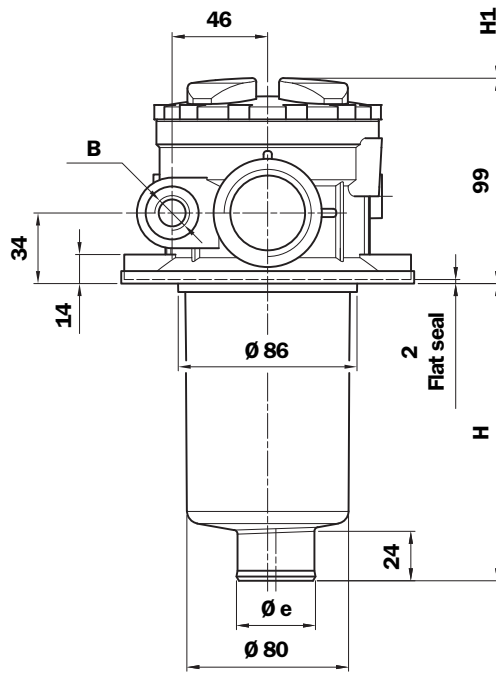
T indicator port
 G 1/4" - 1/4" NPT
 ON REQUEST

Thread connections

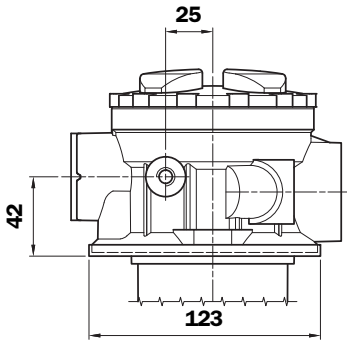
Type	A	T
G1	G 3/4"	G 1/8"
G2	G 1"	G 1/8"
G3	G 1 1/4"	G 1/8"
G4	3/4" NPT	1/8" NPT
G5	1" NPT	1/8" NPT
G6	1 1/4" NPT	1/8" NPT
G7	SAE 12 - 1 1/16" - 12 UN	1/8" NPT
G8	SAE 16 - 1 5/16" - 12 UN	1/8" NPT
G9	SAE 20 - 1 5/8" - 12 UN	1/8" NPT

Filter Length	H mm	H1 mm	Ø e mm
1	99	120	38
2	146	170	38
3	224	250	46,5
4	326	350	46,5

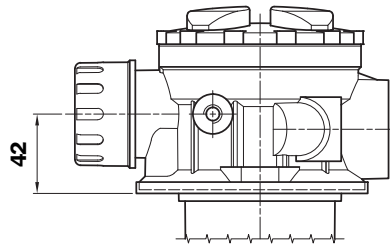
MPT 110



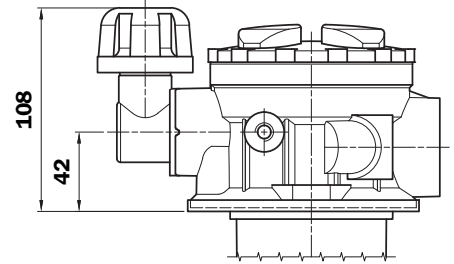
Version "S"
Without air breather



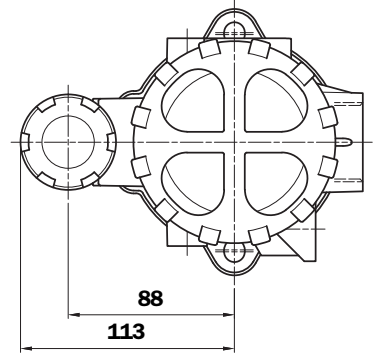
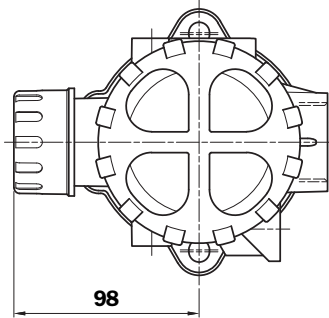
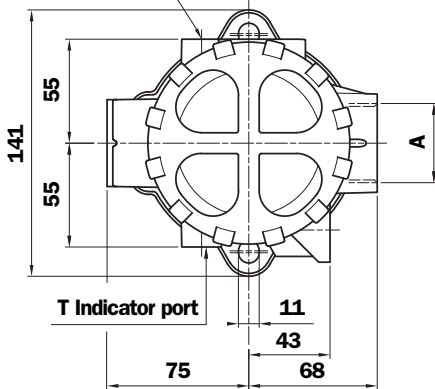
Version "C"
With air breather



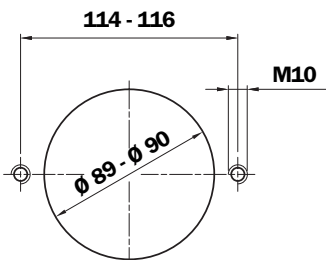
Version "D" and "P"
Anti-splash and SAP50



T Indicator port



Holes on the tank



Filter Length	H mm	H1 mm	Ø e mm
1	97	120	38
2	144	170	38
3	222	250	46,5
4	324	350	46,5

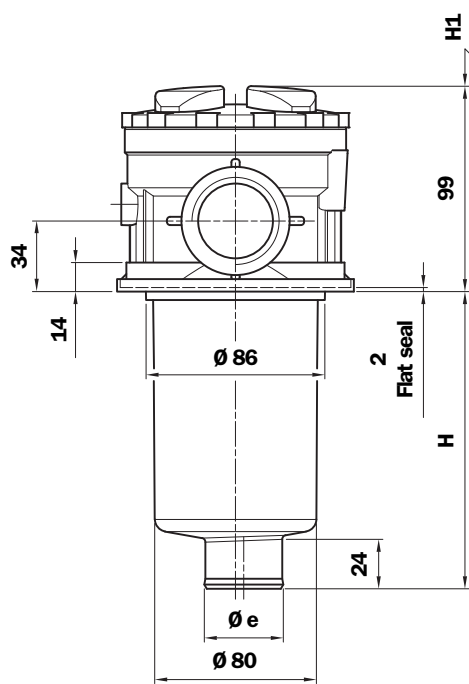
T indicator port
G 1/4" - 1/4" NPT
ON REQUEST

Thread connections A	Thread connections B		
	0	1	2
G1 - G2 - G3	not machined	G 3/8"	G 1/2"
G4 - G5 - G6	not machined	3/8" NPT	1/2" NPT
G7 - G8 - G9	not machined	SAE 6 - 9/16" - 18 UNF	SAE 8 - 3/4" - 16 UNF

Thread connections A

Type	A	T
G1	G 3/4"	G 1/8"
G2	G 1"	G 1/8"
G3	G 1 1/4"	G 1/8"
G4	3/4" NPT	1/8" NPT
G5	1" NPT	1/8" NPT
G6	1 1/4" NPT	1/8" NPT
G7	SAE 12 - 1 1/16" - 12 UN	1/8" NPT
G8	SAE 16 - 1 5/16" - 12 UN	1/8" NPT
G9	SAE 20 - 1 5/8" - 12 UN	1/8" NPT

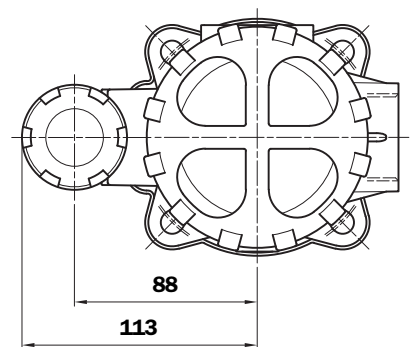
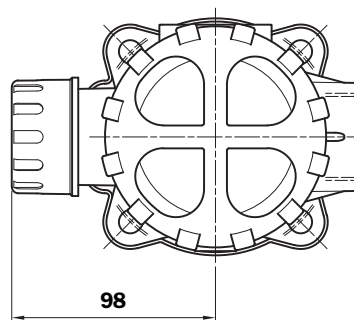
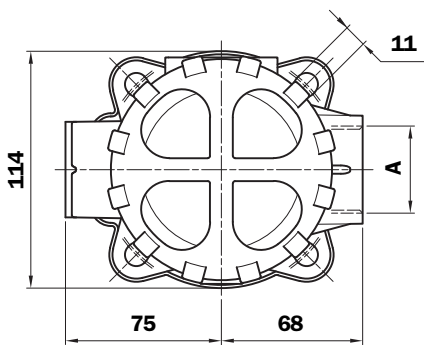
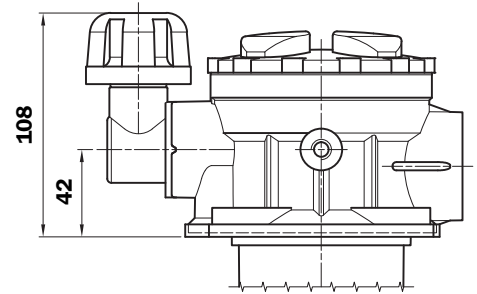
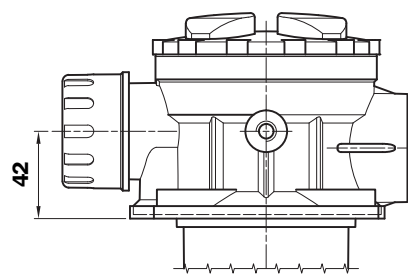
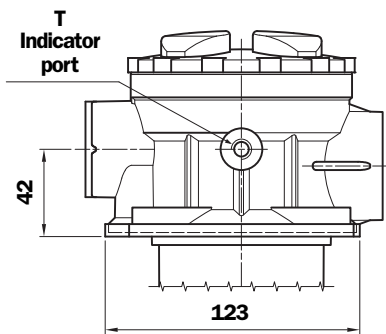
MPT 114



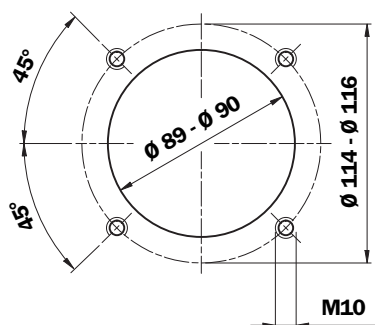
Version "S"
Without air breather

Version "C"
With air breather

Version "D" and "P"
Anti-splash and SAP50



Holes on the tank



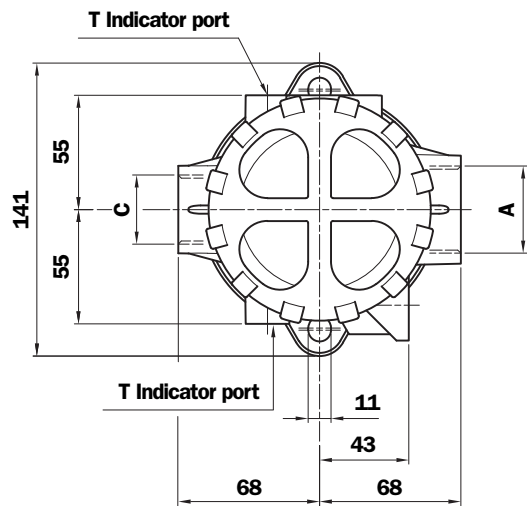
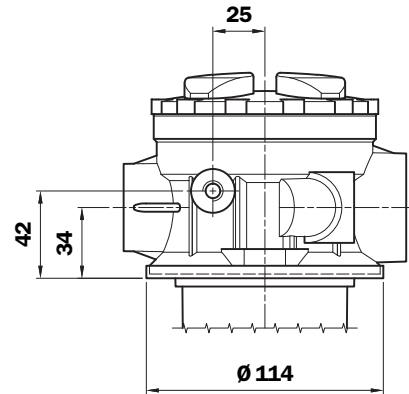
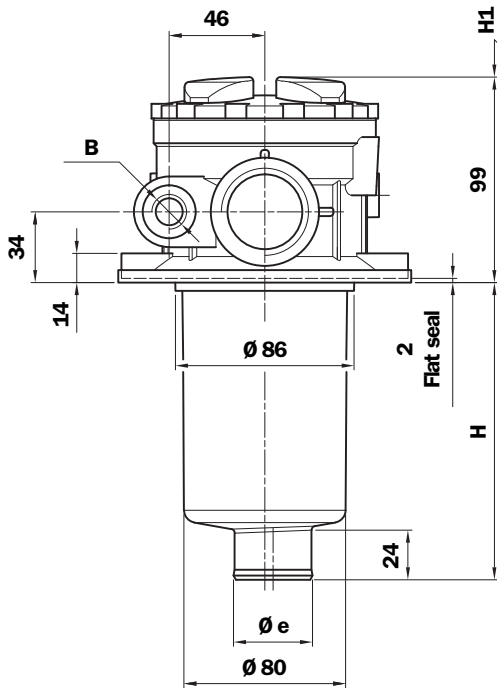
Filter Length	H mm	H1 mm	Ø e mm
1	97	120	38
2	144	170	38
3	222	250	46,5
4	324	350	46,5

T indicator port
G 1/4" - 1/4" NPT
ON REQUEST

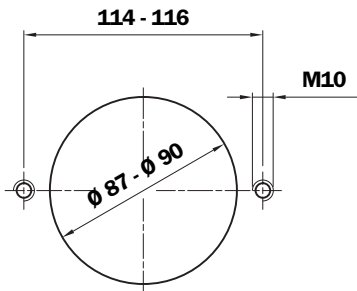
Thread connections A

Type	A	T
G1	G 3/4"	G 1/8"
G2	G 1"	G 1/8"
G3	G 1 1/4"	G 1/8"
G4	3/4" NPT	1/8" NPT
G5	1" NPT	1/8" NPT
G6	1 1/4" NPT	1/8" NPT
G7	SAE 12 - 1 1/16" - 12 UN	1/8" NPT
G8	SAE 16 - 1 5/16" - 12 UN	1/8" NPT
G9	SAE 20 - 1 5/8" - 12 UN	1/8" NPT

MPT 120



Holes on the tank



Thread connections A and C

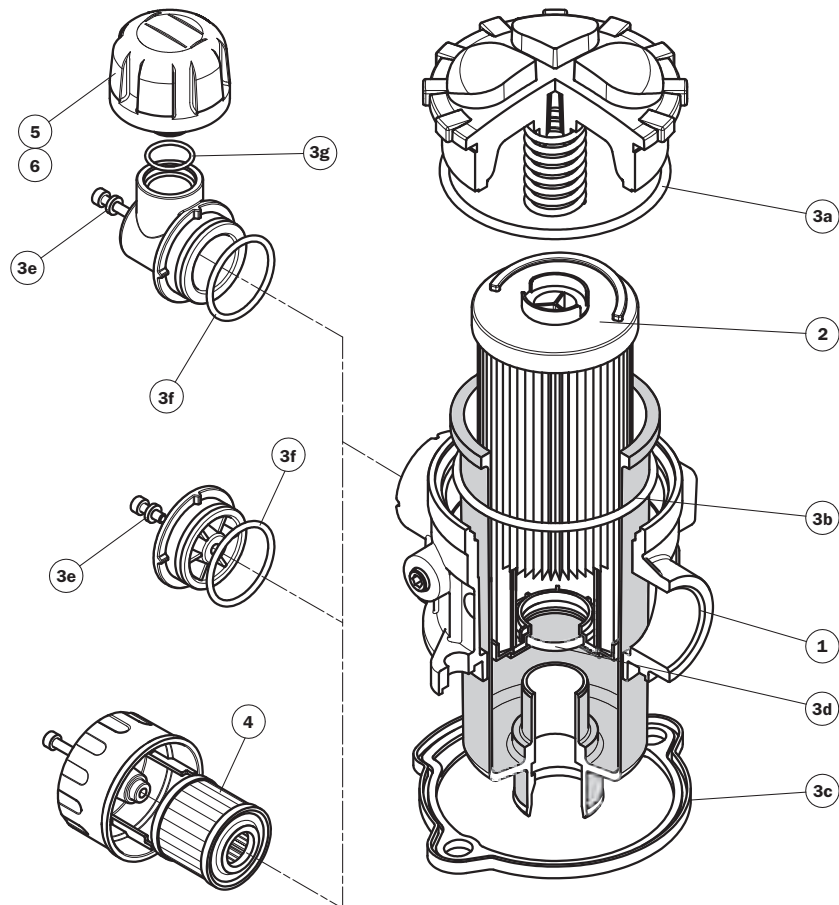
Type	A	C	T
G1	G 3/4"	G 3/4"	G 1/8"
G2	G 1"	G 1"	G 1/8"
G3	G 1 1/4"	G 3/4"	G 1/8"
G4	3/4" NPT	3/4" NPT	1/8" NPT
G5	1" NPT	1" NPT	1/8" NPT
G6	1 1/4" NPT	3/4" NPT	1/8" NPT
G7	SAE 12 - 1 1/16" - 12 UN	SAE 12 - 1 1/16" - 12 UN	1/8" NPT
G8	SAE 16 - 1 5/16" - 12 UN	SAE 16 - 1 5/16" - 12 UN	1/8" NPT
G9	SAE 20 - 1 5/8" - 12 UN	SAE 12 - 1 1/16" - 12 UN	1/8" NPT

Filter Length	H mm	H1 mm	Ø e mm
1	97	120	38
2	144	170	38
3	222	250	46,5
4	324	350	46,5

T indicator port
G 1/4" - 1/4" NPT
ON REQUEST

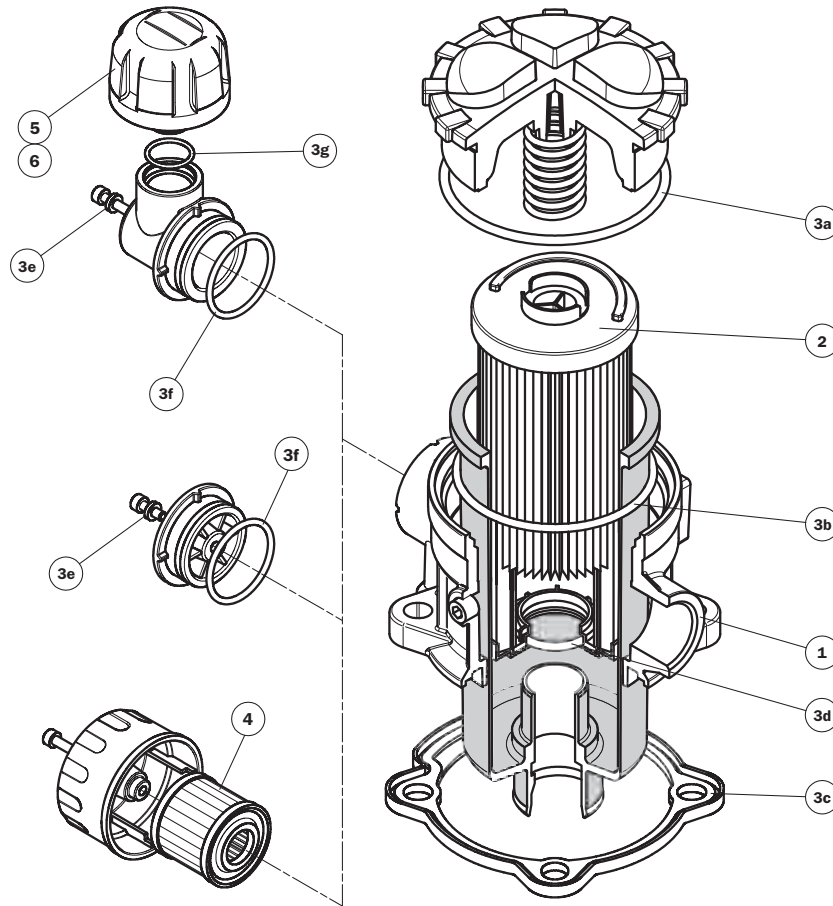
Thread connections A	Thread connections B		
	0	1	2
G1 - G2 - G3	not machined	G 3/8"	G 1/2"
G4 - G5 - G6	not machined	3/8" NPT	1/2" NPT
G7 - G8 - G9	not machined	SAE 6 - 9/16" - 18 UNF	SAE 8 - 3/4" - 16 UNF

Spare parts



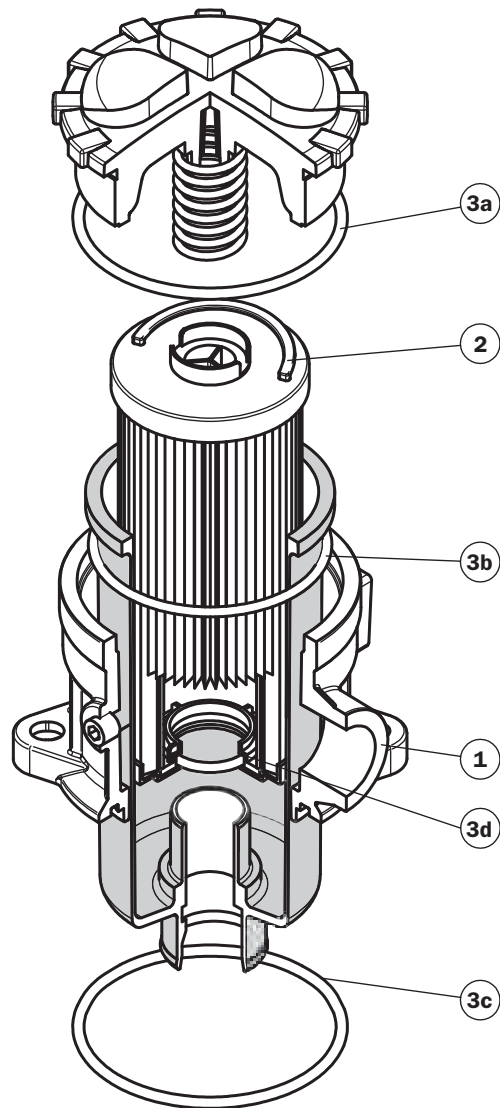
Item	Description	Q.ty	FILTER Series					
			MPT 025		MPT 027		MPT 110	
1	Filter assembly	1	See order table					
2	Filter element	1	See order table					
3	Seal Kit	1	NBR 02050557	FPM 02050558	NBR 02050559	FPM 02050560	NBR 02050561	FPM 02050562
3a	Cover seal	1	O-R Metric Ø 59 x 3		O-R Metric Ø 59 x 3		O-R Metric Ø 90 x 4	
3b	Bowl seal	1	O-R 3200 Ø 50,47 x 2,62		O-R 3200 Ø 50,47 x 2,62		O-R 4312 Ø 78,97 x 3,53	
3c	Head seal	1	01026268	01026298	01026260	01026343	01026351	01026352
3d	Filter element seal	1	Length 1-2	O-R 4087 Ø 21,82 x 3,53	Length 1-2	O-R 4087 Ø 21,82 x 3,53	Length 1-2	O-R 4112 Ø 28,17 x 3,53
			Length 3	O-R 3081 Ø 20,24 x 2,62	Length 3	O-R 3081 Ø 20,24 x 2,62	Length 3-4	O-R 4162 Ø 40,86 x 3,53
3e	Air breather screw seal	1	01026346	01026347	01026346	01026347	01026346	01026347
3f	Plug - Anti-splash seal	1	O-R 130 Ø 22,22 x 2,62		O-R 130 Ø 22,22 x 2,62		O-R 3131 Ø 32,99 x 2,62	
3g	SAP50 seal	1	O-R 2068 Ø 17,17 x 1,78		O-R 2068 Ø 17,17 x 1,78		O-R 2068 Ø 17,17 x 1,78	
4	Air breather filter element "C" version	1	10 micron A3L03		10 micron A3L03		10 micron A3L03	
5	Air breather filter element "D" version	1	10 micron SAP50G3L03A0P01		10 micron SAP50G3L03A0P01		10 micron SAP50G3L03A0P01	
6	Air breather filter element "P" version	1	10 micron SAP50G3L03A1P01		10 micron SAP50G3L03A1P01		10 micron SAP50G3L03A1P01	

Spare parts

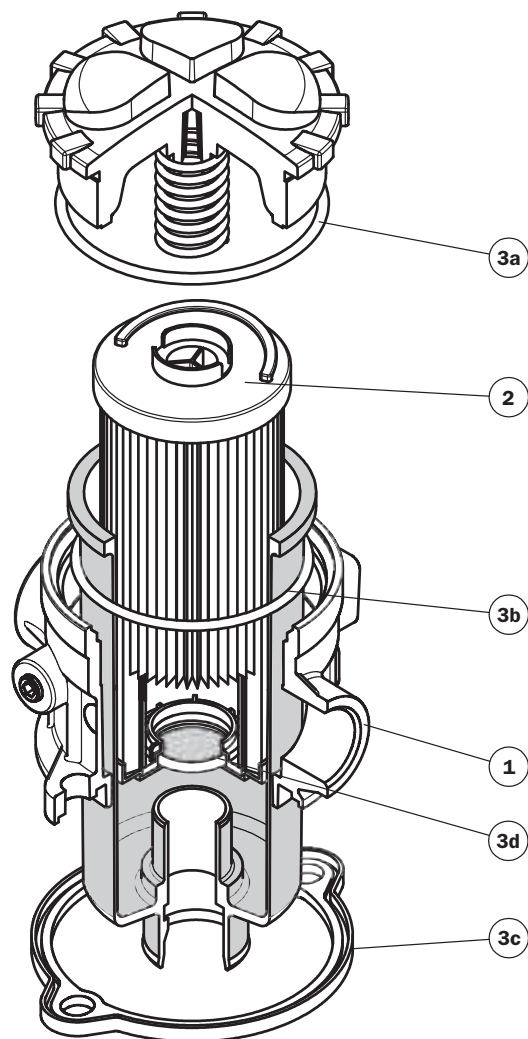


Item	Description	Q.ty	FILTER Series MPT 114	
1	Filter assembly	1	See order table	
2	Filter element	1	See order table	
3	Seal Kit	1	NBR 02050580	FPM 02050581
3a	Cover seal	1	O-R Metric Ø 90 x 4	
3b	Bowl seal	1	O-R 4312 Ø 78,97 x 3,53	
3c	Head seal	1	01026371	01026372
3d	Filter element seal	1	Length 1-2 Ø 28,17 x 3,53	O-R 4112
			Length 3-4 Ø 40,86 x 3,53	O-R 4162
3e	Air breather screw seal	1	01026346	01026347
3f	Plug - Anti-splash seal	1	O-R 3131 Ø 32,99 x 2,62	
3g	SAP50 seal	1	O-R 2068 Ø 17,17 x 1,78	
4	Air breather filter element "C" version	1	10 micron A3L03	
5	Air breather filter element "D" version	1	10 micron SAP50G3L03A0P01	
6	Air breather filter element "P" version	1	10 micron SAP50G3L03A1P01	

Spare parts



Item	Description	Q.ty	FILTER Series	
			MPT 101 S / 104 S	
1	Filter assembly	1	See order table	
2	Filter element	1	See order table	
3	Seal Kit	1	NBR 02050466	FPM 02050467
3a	Cover seal	1	O-R Metric Ø 90 x 4	
3b	Bowl seal	1	O-R 4312 Ø 78,97 x 3,53	
3c	Head seal	1	O-R Metric Ø 90 x 4	
3d	Filter element seal	1	Length 1-2	O-R 4112 Ø 28,17 x 3,53
			Length 3-4	O-R 4162 Ø 40,86 x 3,53



Item	Description	Q.ty	FILTER Series MPT 120	
1	Filter assembly	1	See order table	
2	Filter element	1	See order table	
3	Seal Kit	1	NBR 02050563	FPM 02050564
3a	Cover seal	1	O-R Metric Ø 90 x 4	
3b	Bowl seal	1	O-R 4312 Ø 78,97 x 3,53	
3c	Head seal	1	01026361	01026362
3d	Filter element seal	1	Length 1-2	O-R 4112 Ø 28,17 x 3,53
			Length 3-4	O-R 4162 Ø 40,86 x 3,53

Ordering information MPT

Filter assembly

MPT

	1	2	3	4	5	6	9	10
Example 1: MPT	025	2	D	A	G3	A06	E	P01
Example 2: MPT	104	4	S	A	G1	M60	B	P01

Filter element

MF

	1	2	6	7	8	9	10
Example 1: MF	020	2	A06	H	B	E	P01
Example 2: MF	100	4	M60	N	B	P01	

1 - Style

Filter	Filter element
025	020
027	020
101	100
104	100
114	100

2 - Filter length

025	1	2	3	
027	1	2	3	
101	1	2	3	4
104	1	2	3	4
114	1	2	3	4

3 - Air breather

S	Without air breather
C	(1) With air breather 10 µ
D	(1) Anti-splash and SAP50 10 µ air breather
P	(1) Anti-splash, SAP50 10 µ air breather and pressurization 0,5 bar

(1) Excluded MPT 101 - 104

4 - Filter seals & Treatment

A	NBR
V	FPM
W	NBR, Head anodized - filter element compatible with fluid HFA, HFB, HFC (only for filter element type Axx and Mxx)
Z	FPM, Head anodized - filter element compatible with fluid HFA, HFB, HFC (only for filter element type Axx and Mxx)

5 - Connections

Type	MPT 025-027	MPT 101-104-114
G1	G 3/8"	G 3/4"
G2	G 1/2"	G 1"
G3	G 3/4"	G 1 1/4"
G4	3/8" NPT	3/4" NPT
G5	1/2" NPT	1" NPT
G6	3/4" NPT	1 1/4" NPT
G7	SAE 6 - 9/16" - 18 UNF	SAE 12 - 1 1/16" - 12 UN
G8	SAE 8 - 3/4" - 16 UNF	SAE 16 - 1 5/16" - 12 UN
G9	SAE 12 - 1 1/16" - 12 UN	SAE 20 - 1 5/8" - 12 UN

6 - Filter element

A03	Inorganic microfibre 3 µ	Absolute filtration βx (c) ≥ 1000
A06	Inorganic microfibre 6 µ	
A10	Inorganic microfibre 10 µ	
A16	Inorganic microfibre 16 µ	
A25	Inorganic microfibre 25 µ	
M25	Wire mesh	Nominal Filtration
M60	Wire mesh	
M90	Wire mesh	
P10	Resin impregnated paper	Nominal Filtration
P25	Resin impregnated paper	

7 - Δp Filter element

N	Δp 10 bar (only for filter element type Pxx and Mxx)
H	Δp 10 bar (only for filter element type Axx)
W*	Δp 10 bar (only for filter element type Axx and Mxx)

8 - Filter element seals

B	NBR
V	FPM

9 - By-pass valve

E	3 bar
B	1.75 bar (Omit in the element code - only for 1.75 bar)

10 - Option

P01	MP Filtri standard
------------	--------------------

* Compatible with fluid HFA, HFB, HFC

MP Filtri - The filter functions as described in this bulletin are valid exclusively for original MP Filtri filter elements and replacement parts. All rights reserved

The data in this publication are purely guideline. MP Filtri reserves the right to make changes to the models described herein at any time it deems fit in relation to technical or commercial requirements. The colours of the products shown on the cover are purely guideline. Copyright. All rights reserved.

Ordering information MPT

Filter assembly	1	2	3	4	5	6	7	10	11
MPT	<input type="checkbox"/>	<input type="checkbox"/>	<input type="checkbox"/>	<input type="checkbox"/>	<input type="checkbox"/>	<input type="checkbox"/>	<input type="checkbox"/>	<input type="checkbox"/>	<input type="checkbox"/>
Example 1: MPT	110	2	C	A	G3	2	A06	E	P01
Example 2: MPT	120	3		A	G3	1	P10	B	P01

Filter element	1	2	7	8	9	10	11
MF	<input type="checkbox"/>	<input type="checkbox"/>	<input type="checkbox"/>	<input type="checkbox"/>	<input type="checkbox"/>	<input type="checkbox"/>	<input type="checkbox"/>
Example 1: MF	100	2	A06	H	B	E	P01
Example 2: MF	100	3	P10	N	B		P01

1 - Style

Filter	Filter element
<input type="checkbox"/> 110	<input type="checkbox"/> 100
<input type="checkbox"/> 120	<input type="checkbox"/> 100

2 - Filter length

<input type="checkbox"/> 110	<input type="checkbox"/> 1	<input type="checkbox"/> 2	<input type="checkbox"/> 3	<input type="checkbox"/> 4
<input type="checkbox"/> 120	<input type="checkbox"/> 1	<input type="checkbox"/> 2	<input type="checkbox"/> 3	<input type="checkbox"/> 4

3 - Air breather (omit for MPT 120)

<input type="checkbox"/> S	Without air breather
<input type="checkbox"/> C	With air breather 10 μ
<input type="checkbox"/> D	Anti-splash and SAP50 10 μ air breather
<input type="checkbox"/> P	Anti-splash and SAP50 10 μ air breather pressurization 0,5 bar

4 - Filter seals & Treatment

<input type="checkbox"/> A	NBR
<input type="checkbox"/> V	FPM
<input type="checkbox"/> W	NBR, Head anodized - filter element compatible with fluid HFA, HFB, HFC (only for filter element type Axx and Mxx)
<input type="checkbox"/> Z	FPM, Head anodized - filter element compatible with fluid HFA, HFB, HFC (only for filter element type Axx and Mxx)

5 - Connections A - C

MPT 110 Connections A MPT 120 Connections A and C

Type	A	C
G1	G 3/4"	G 3/4"
G2	G 1"	G 1"
G3	G 1 1/4"	G 3/4"
G4	3/4" NPT	3/4" NPT
G5	1" NPT	1" NPT
G6	1 1/4" NPT	3/4" NPT
G7	SAE 12 - 1 1/16" - 12 UN	SAE 12 - 1 1/16" - 12 UN
G8	SAE 16 - 1 5/16" - 12 UN	SAE 16 - 1 5/16" - 12 UN
G9	SAE 20 - 1 5/8" - 12 UN	SAE 12 - 1 1/16" - 12 UN

6 - Connections B

Type	Connections A		
	G1 - G2 - G3	G4 - G5 - G6	G7 - G8 - G9
0	not machined	not machined	not machined
1	G 3/8"	3/8" NPT	SAE 6 - 9/16" - 18 UNF
2	G 1/2"	1/2" NPT	SAE 8 - 3/4" - 16 UNF

7 - Filter element

<input type="checkbox"/> A03	Inorganic microfibre 3 μ	} Absolute filtration $\beta_x(c) \geq 1000$
<input type="checkbox"/> A06	Inorganic microfibre 6 μ	
<input type="checkbox"/> A10	Inorganic microfibre 10 μ	
<input type="checkbox"/> A16	Inorganic microfibre 16 μ	
<input type="checkbox"/> A25	Inorganic microfibre 25 μ	
<input type="checkbox"/> M25	Wire mesh	} Nominal Filtration
<input type="checkbox"/> M60	Wire mesh	
<input type="checkbox"/> M90	Wire mesh	
<input type="checkbox"/> P10	Resin impregnated paper	} Nominal Filtration
<input type="checkbox"/> P25	Resin impregnated paper	

8 - Δp Filter element

<input type="checkbox"/> N	Δp 10 bar (only for filter element type Pxx and Mxx)
<input type="checkbox"/> H	Δp 10 bar (only for filter element type Axx)
<input type="checkbox"/> W*	Δp 10 bar (only for filter element type Axx and Mxx)

9 - Filter element seals

<input type="checkbox"/> B	NBR
<input type="checkbox"/> V	FPM

10 - By-pass valve

<input type="checkbox"/> E	3 bar
<input type="checkbox"/> B	1.75 bar (Omit in the element code - only for 1.75 bar)

11 - Option

<input type="checkbox"/> P01	MP Filtri standard
-------------------------------------	--------------------

* **Compatible with fluid HFA, HFB, HFC**

MP Filtri - The filter functions as described in this bulletin are valid exclusively for original MP Filtri filter elements and replacement parts. All rights reserved

The data in this publication are purely guideline. MP Filtri reserves the right to make changes to the models described herein at any time it deems fit in relation to technical or commercial requirements. The colours of the products shown on the cover are purely guideline. Copyright. All rights reserved.