



## Air-injector off-center tips IS – for sharp demarcation of the treated area and band spraying

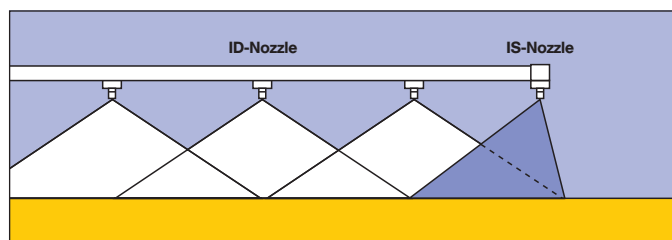


- Air-aspirating flat spray tip with spray angle 80°
- Material: POM
- Asymmetrical spray pattern (20°/60° relative to tip axis)
- Pressure range: 3 – 8 bar
- Extremely low drift potential
- Optimal distribution in combination with ID tips
- Fits all bayonet cap systems with 10 mm AF

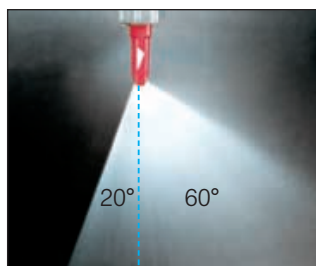
For sharp demarcation of the treated area, the Lechler IS off-center tip is the optimal addition of the proven ID nozzle.

### Range of application:

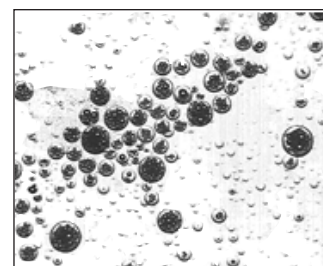
- Along water lines
- Along field peripheries
- Protection of sensitive adjacent crops
- Underleaf application of herbicides in row crops (e.g., asparagus)
- Band spraying of herbicides in orchards, vineyards, tree nurseries, etc.
- On airblast and above-row sprayers for limiting the flat jets of the top and bottom (first and last) nozzles
- For plot spraying equipment



Edging treatment with IS-nozzles in combination with ID-nozzles



Asymmetrical spray pattern



Aeration effect

### Examples of assembly



Lechler-standard-magnet valve



Lechler-magnet valve for dry booms



Lechler-pneumatic valve

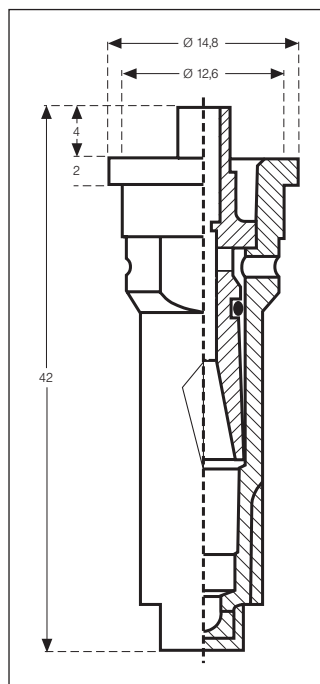
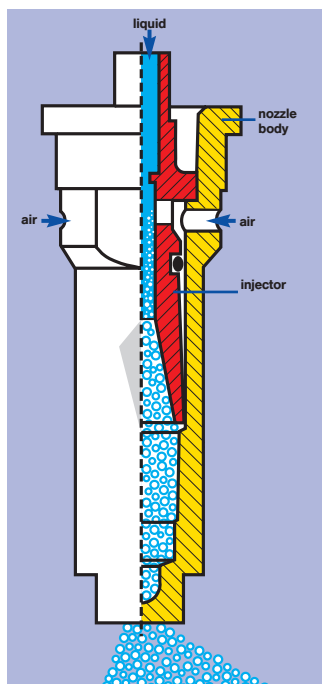


Lechler-MULTIJET nozzle body



Lechler GmbH  
 Agricultural Nozzles and Accessories  
 P.O. Box 1323  
 72544 Metzingen / Germany  
 Telefon + 49 (0) 71 23 9 62 - 0  
 Telefax + 49 (0) 71 23 9 62 - 4 80

E-Mail: [info@lechler.de](mailto:info@lechler.de)  
 Internet: [www.lechler-agri.com](http://www.lechler-agri.com)



Dimensions [mm]

## Main benefits of Lechler IS air-injector nozzles

- One-piece nozzle with sturdy design
- Easily removeable injector for cleaning
- Fits all bayonet cap systems with 10 mm AF
- Easy installation, with no adaptor necessary
- No danger of clogging, thanks to lateral air-aspirating orifices
- Hard-wearing and non-clogging thanks to round bores and ample free cross sections
- Extremely low drift potential, even at higher pressure

## Flow rate table for air-injector off-center tips IS

Type	Flow rate [l/min]					
	Pressure [bar]					
	3.0	4.0	5.0	6.0	7.0	8.0
<b>IS 80-02</b>	0.60	0.69	0.77	0.84	0.91	0.97
<b>IS 80-025</b>	0.86	0.90	1.13	1.24	1.34	1.43
<b>IS 80-03</b>	1.05	1.21	1.35	1.48	1.60	1.71
<b>IS 80-04</b>	1.36	1.57	1.75	1.92	2.07	2.21
<b>IS 80-05</b>	1.51	1.74	1.95	2.14	2.31	2.47
<b>IS 80-06</b>	1.67	1.93	2.16	2.37	2.56	2.73

- The stated flow rates apply to water
- Spray pressure at the nozzle tip
- Prior to each spraying season, verify the table data by gauging the flow rates
- Make sure that all nozzles have the same settings

Recommendation for strainers: 02-04: cup strainer 50 M / nozzle strainer 60 M  
 05-06: cup strainer 25 M / nozzle strainer 25 M

spray table for higher pressure on request