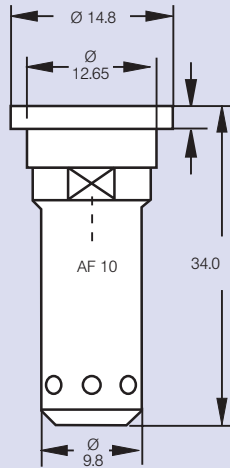
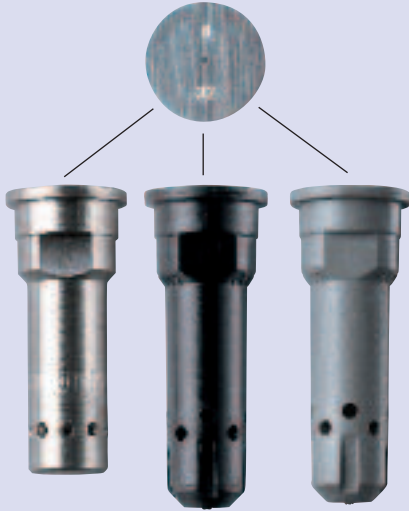


## 5-orifice nozzles FL (for liquid fertilizers)

Spray angle: 160°

Material: nozzle body stainless steel, POM  
dosing orifice stainless steel



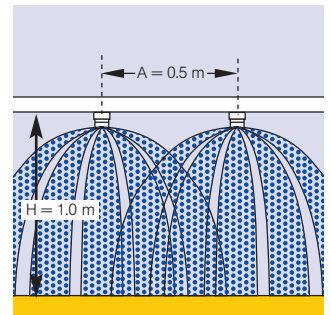
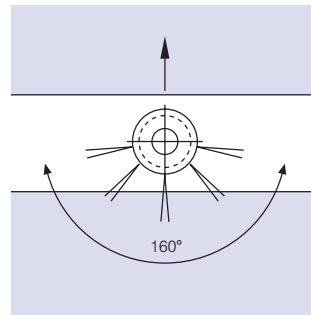
### Features

- Stream nozzle
- Nozzle sizes grey and black
- Pressure range
  - Dosing orifice 0.8 to 1.0: 1.0 to 5.0 bar
  - 1.2: 1.0 to 4.0 bar
  - 1.5 to 1.8: 1.0 to 3.0 bar
- Fits all bayonet cap systems with 10 mm AF
- Drift prevented by large drops
- Easy adjustment of liter-per-hectare rate via exchange of dosing orifices
- Dosing orifices made of solid stainless steel and, hence, resistant to wear and corrosion
- Plant-protective spraying of fertilizer thanks to extremely coarse (dribble) application
- Uniform distribution of fertilizer across the entire effective width
- Height of spray boom: 1.0 m

### Range of application

- Liquid fertilizer

Description	Order number
<b>5-orifice nozzles FL (excl. dosing orifice)</b>	
Stainless steel	500.179.16
POM (black) for dosing orifices 0.8/1.0/1.2 mm Ø	500.179.56.00
POM (grey) for dosing orifices 1.2/1.5/1.8 mm Ø	500.179.56.01
<b>Dosing orifices</b>	
0.8 mm/32 stainless steel	050.030.1C.00.00
1.0 mm/39 stainless steel	050.030.1C.01.00
1.2 mm/48 stainless steel	050.030.1C.03.00
1.5 mm/59 stainless steel	050.030.1C.02.00
1.8 mm/72 stainless steel	050.030.1C.04.00



Dosing orifice Ø mm	[bar]	l/min		UAN l/ha											
		Water	UAN	5.0 km/h	6.0 km/h	7.0 km/h	8.0 km/h	9.0 km/h	10.0 km/h	11.0 km/h	12.0 km/h	14.0 km/h	16.0 km/h	18.0 km/h	
0.8/32	1.0	0.31	0.27	65	55	47	41	37	33	30	27	23	20	18	
	2.0	0.43	0.38	91	76	65	57	51	46	41	38	33	29	25	
	3.0	0.53	0.47	113	94	80	70	62	56	51	47	40	35	31	
	4.0	0.62	0.55	132	110	94	82	73	66	60	55	47	41	37	
	5.0	0.69	0.61	146	122	105	91	81	73	67	61	52	46	41	
1.0/39	1.0	0.46	0.41	98	81	70	61	54	49	44	41	35	31	27	
	2.0	0.65	0.57	137	115	98	86	77	69	63	57	49	43	38	
	3.0	0.80	0.71	170	141	121	106	94	85	77	71	61	53	47	
	4.0	0.92	0.81	194	163	139	122	108	98	89	81	69	61	54	
	5.0	1.03	0.91	218	182	156	137	121	109	99	91	78	68	61	
1.2/48	1.0	0.67	0.59	142	118	102	89	79	71	65	59	51	44	39	
	2.0	0.95	0.84	202	168	144	126	112	101	92	84	72	63	56	
	3.0	1.16	1.03	247	205	176	154	137	123	112	103	88	77	69	
	4.0	1.34	1.18	283	237	203	178	158	142	129	118	101	89	79	
1.5/59	1.0	0.97	0.86	206	171	147	129	114	103	94	86	74	65	57	
	2.0	1.38	1.22	293	244	209	183	163	146	133	122	105	92	81	
	3.0	1.69	1.49	358	299	256	224	199	179	163	149	128	112	99	
1.8/72	1.0	1.38	1.22	293	244	209	183	163	146	133	122	105	92	81	
	2.0	1.96	1.73	415	346	297	260	231	208	189	173	148	130	115	
	3.0	2.40	2.12	509	424	364	318	283	255	231	212	182	159	141	

### Ordering

When ordering, please include both order numbers, that of the nozzle and that of the dosing orifice.

### Recommendation

Please use grey 5-orifice nozzles (order no. 500.179.56.01) for combination with large dosing orifices (1.2, 1.5 and 1.8 mm)

- Spray pressure at the nozzle tip (gauged with a diaphragm valve).
- Lateral spacing 0.5 m.
- Prior to each spraying season, verify the table data by gauging the flow rates.
- Make sure that all nozzles have the same settings.
- The stated liter-per-hectare rates apply to UAN (28/1.28 kg/l).