

Series LVK

Description

Visual/electric level indicator with temperature controls for both static and mobile applications.

Completely transparent, it provides a view of the fluid over the entire length, both from the front and on both sides.

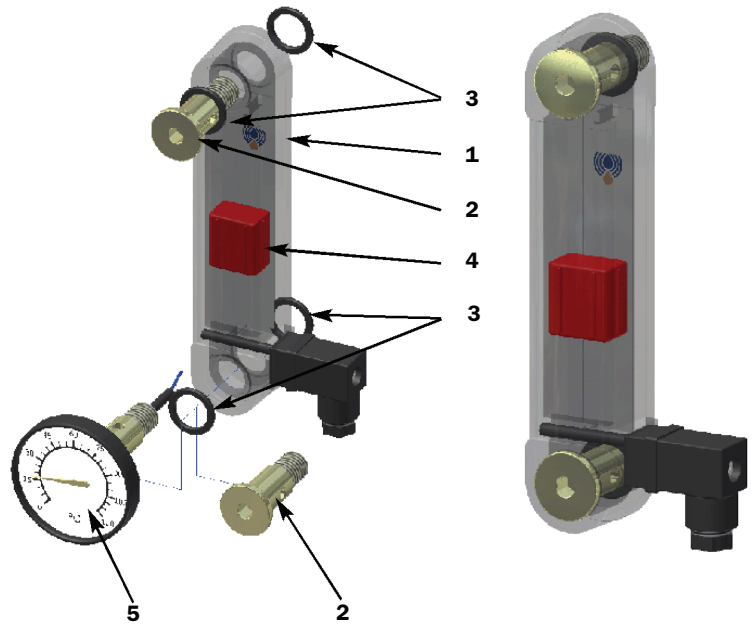
The quality and thickness, 4 millimetres, of the construction material provides the utmost dependability and mechanical strength without any need for additional protection.

LVK (Materials)

- 1 - Body: Polyamide
- 2 - Screws: Nickel plated brass (Standard)
AISI 316 (Option)
- 3 - Seals: NBR (Standard)
FPM (Option)
- 4 - Float: Polyamide
- 5 - Sensor thermometer: Screw + thermometer

Temperatures: from -20°C to +80°C

Screw tightening torque: 10Nm

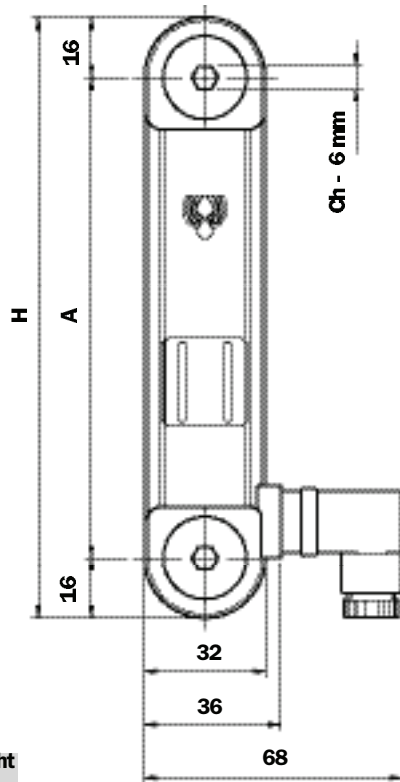
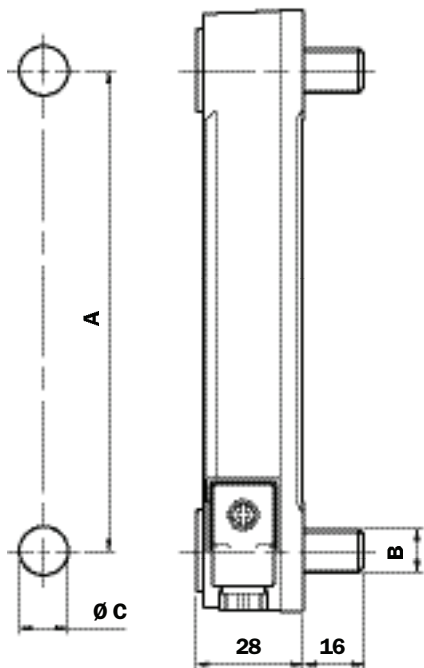


Compatibility

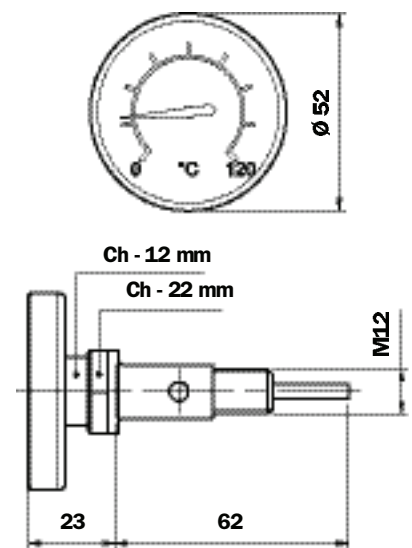
- NBR seals, compatible with:
Mineral oils to ISO 2943 - aqueous emulsions
Synthetic fluids, glycol water.
- FPM seals, compatible with:
Synthetic fluids type HS-HFDR-HFDS-HFDU.

Dimensions

Reservoir holes



Sensor thermometer



Weight (Kg)

TV12 0,100 Kit Sensor thermometer + Screw M12

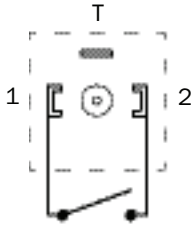
Size	A	H	Weight (Kg)
LVK10	76	108	0,14
LVK20	127	159	0,17
LVK30	254	286	0,25

Type	B	C
LVK.....M10	M10	10,5
LVK.....M12	M12	12,5

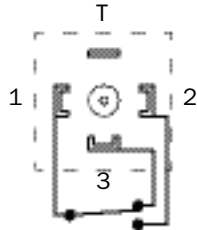
Combination of available electrical contacts

Electrical contact with no liquid

Normally open
N.O.

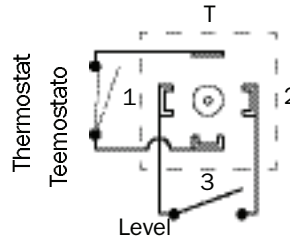


SPDT
Switch

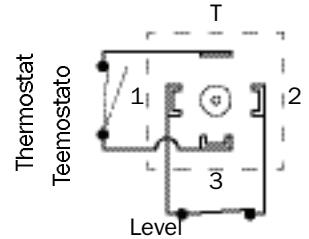


Electrical contact with no liquid + thermostat

Normally open
N.O.



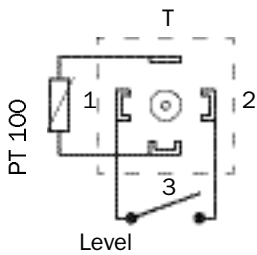
Normally closed
N.C.



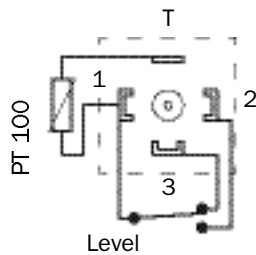
Available thermostated contact N.C. - N.O. in both setups

Electrical contact with no liquid + PT 100

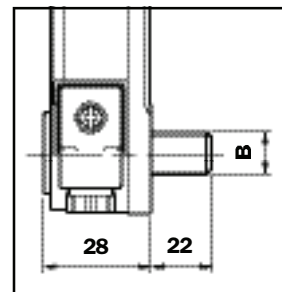
Normally closed
N.O.



SPDT
Switch



Dimension inferior screw electrical contact + thermostated or PT 100



Thermostat electrical specifications

Voltage: 250 V Switchable

Frequency: 50 Hz

Load values: 4.0 A. $\cos \varphi$ 0.6 (IMOT)

6,3 A. $\cos \varphi$ 1 (IN)

Max load: 10 A. $\cos \varphi$ 1

Switching temperature: 50°C - 60°C - 70°C

Tolerances: \pm 5°C

Electrical specifications

Contact with no liquid

	N.A.	N.C.
D.C. Switchable Power	40 W	20 W
D.C. current intensity - A.C.	40 V.A.	-
Switchable voltage	2 A	1 A
Voltage switchable	230 V	150 V
