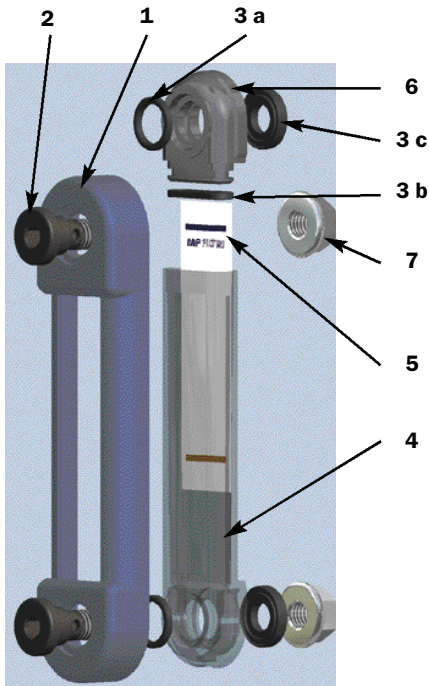


Dimensions



LVA (Materials)

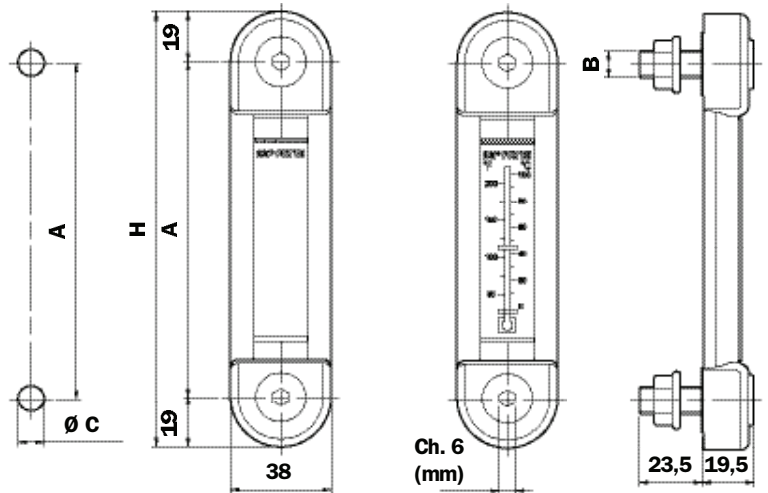
- 1 - Cover: Polyamide
- 2 - Screws: Phosphated steel
- 3 - Seals: NBR
FPM
- 4 - Lens: Polyamide
- 5 - Nameplate: Painted aluminium
- 6 - Terminal cap: Nylon
- 7 - Nuts: Galvanised steel

Quantity per pack Number of Parts

LVA 10

Screw tightening torque: 15Nm

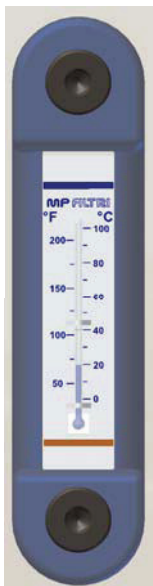
Reservoir
holes



Size	A	H	Weight (Kg)
LVA10	76	114	0,13
LVA20	127	165	0,18
LVA30	254	292	0,23

Type	B	C
LVA.....M10	M10	10,5
LVA.....M12	M12	12,5
LVA.....U38	3/8" UNC	10
LVA.....U12	1/2" UNC	13,5

LVA20T.....S01



Ordering information

LVA
Example: LVA 20 T A P M10 S01

1 - Size

- 10
- 20
- 30

2 - Accessories

- S Without thermometer
- T With thermometer

3 - Seals

- A NBR
- V FPM

4 - Cover

- P Cover polyamide

5 - Connection

- M10 Screws M10
- M12 Screws M12
- U38 Screws 3/8" UNC
- U12 Screws 1/2" UNC

6 - Options

- S01 With nuts - Tag MP Filtri
- S02 Without nuts - Tag MP Filtri