

ACTUATOR LA28

Features and options:

- Thrust up to 3500N (with strong motor).
- Protection class IP51
- 2.3 m straight cable with 6.3 mm jack-plug, (for actuators with reed-switch 2.3 m straight or 0.4 m coiled cable only). For 12V versions 1.5 m straight cable without plug
- Storage temperature -40°C to 70°C
- Available with extra powerful motor (strong motor), increases speed and strength
- Brake - increases self-locking ability for LA28 actuators with 6 or 9 mm pitch with or without strong motor
- Protection class: IPX5 or IPX6
- Reed-switch (LA28 = 8 pulses/spindle rev. and LA28 with strong motor = 6 pulses/spindle rev.)
- Splines function (the actuator can only push)
- Mounting bracket for CB8-TIA control boxes (order number 914078 (grey) and 914054 (black))
- Safety nut for LA28 with 3, 6 or 9 mm pitch/spindle rev. (push direction)
- 0.2 m and 0.4 m coiled cable
- Built-in CS print ensures electronic overload protection

Usage:

- Duty cycle: Max 10 % or 2 min. continuous use followed by 18 min. not in use
- Ambient temperatures: +5° to +40°C
- LA28 is approved according to EN 60601-1/ UL 60601-1 in connection with CB8, CB12, CB14, CB18 and CBJ
- Should LA28 be used with a non LINAK control unit, please ask the nearest LINAK representative for further details



MEDLINE[®]
IMPROVING EFFICIENCY
CARELINE[®]
IMPROVING EFFICIENCY
TECHLINE[®]
IMPROVING FLEXIBILITY

LA28 is primarily a system actuator. The actuator is very quiet and powerful, designed for use in the CARELINE[®], MEDLINE[®] and TECHLINE[®] areas of business.

The actuator is also ideal for use in agricultural machinery and for a wide range of industrial applications.

Technical specifications:

LA28 with standard motor

Order number	Push Max. (N)	Pull Max. (N)	*Self-lock max. (N) Push	*Self-lock max. (N) Pull	Pitch (mm/spindle rev.)	Typical speed (mm/s) Load		Standard stroke lengths (mm) In steps of 50 mm	Typical amp. (A)
						no	full		24 V
286XXX-XXXXX0XX	2500	2000	2000	2000	2	4,2	3,0	100 – 400	1,5
285XXX-XXXXX0XX	2000	2000	2000	2000	2,5	5,3	4,0	100 – 400	1,6
281XXX-XXXXX0XX	2000	2000	2000	2000	3	7,0	4,8	100 – 400	1,5
284XXX-XXXXX0XX	1500	1500	1500	1500	4	9,5	6,7	100 – 400	1,6
284XXX-4XXXX0XX	1500	1500	1500	1500	4	9,5	6,7	100 – 400	1,6
282XXX-XXXXX0XX	1000	1000	500	500	6	14,3	9,6	100 – 400	1,5
282XXX-4XXXX0XX	1000	1000	1000	1000	6	12,7	9,6	100 – 400	1,5
283XXX-XXXXX0XX	800	800	200	200	9	21,1	14,5	100 – 600	1,5
283XXX-4XXXX0XX	800	800	800	800	9	20,9	10,7	100 – 600	2,4
287XXX-XXXXX0XX	800	800	0	0	12	25,8	17,1	100 – 600	1,9
287XXX-4XXXX0XX	800	800	300	300	12	24,8	15,1	100 – 600	1,9

LA28 with "S" motor

Order number	Push Max. (N)	Pull Max. (N)	*Self-lock max. (N) Push	*Self-lock max. (N) Pull	Pitch (mm/spindle rev.)	Typical speed (mm/s) Load		Standard stroke lengths (mm) In steps of 50 mm	Typical amp. (A)
						no	full		24 V
286XXX-XXXXX1XX	3500	2000	3500	2000	2	6,7	4,7	100 – 400	3,9
285XXX-XXXXX1XX	3000	2000	3000	2000	2,5	8,6	6,1	100 – 400	3,6
281XXX-XXXXX1XX	2000	2000	2000	2000	3	10,8	8,4	100 – 400	2,9
284XXX-XXXXX1XX	2000	2000	1200	1200	4	14,6	10,3	100 – 400	3,6
284XXX-4XXXX1XX	2000	2000	2000	2000	4	14,3	10,3	100 – 400	3,4
282XXX-XXXXX1XX	2000	2000	500	500	6	22,0	13,8	100 – 400	4,1
282XXX-4XXXX1XX	2000	2000	2000	2000	6	22,0	12,7	100 – 400	4,6
283XXX-XXXXX1XX	1500	1500	500	500	9	34,2	16,5	100 – 600	4,9
283XXX-4XXXX1XX	1500	1500	1500	1500	9	33,0	10,9	100 – 600	5,5
287XXX-XXXXX1XX	800	800	0	0	12	46,0	33,5	100 – 600	3,1
287XXX-4XXXX1XX	800	800	800	800	12	45,9	33,5	100 – 600	3,1

LA28 with 12V motor

Order number	Push Max. (N)	Pull Max. (N)	*Self-lock max. (N) Push	*Self-lock max. (N) Pull	Pitch (mm/spindle rev.)	Typical speed (mm/s) Load		Standard stroke lengths (mm) In steps of 50 mm	Typical amp. (A)
						No	Full		12 V
286XXX-XXXXX2XX	3500	2000	2000	2000	2	7,0	3,2	100 – 400	6,9
285XXX-XXXXX2XX	3000	2000	3000	2000	2,5	8,6	3,6	100 – 400	6,6
281XXX-XXXXX2XX	2000	2000	2000	2000	3	10,2	6,2	100 – 400	4,9
284XXX-XXXXX2XX	2000	2000	1500	1500	4	13,5	6,8	100 – 400	6,5
284XXX-4XXXX2XX	2000	2000	2000	2000	4	13,3	7,5	100 – 400	6,5
282XXX-XXXXX2XX	2000	2000	500	500	6	19,9	7,5	100 – 400	7,7
282XXX-4XXXX2XX	2000	2000	2000	2000	6	19,8	7,0	100 – 400	8,5
283XXX-XXXXX2XX	1500	1500	0	0	9	28,9	11,7	100 – 600	7,9
283XXX-4XXXX2XX	1500	1500	1500	1500	9	28,9	11,7	100 – 600	7,9
287XXX-XXXXX2XX	800	800	0	0	12	32,0	16,0	100 – 600	5,9
287XXX-4XXXX2XX	800	800	800	800	12	32,0	16,0	100 – 600	5,9

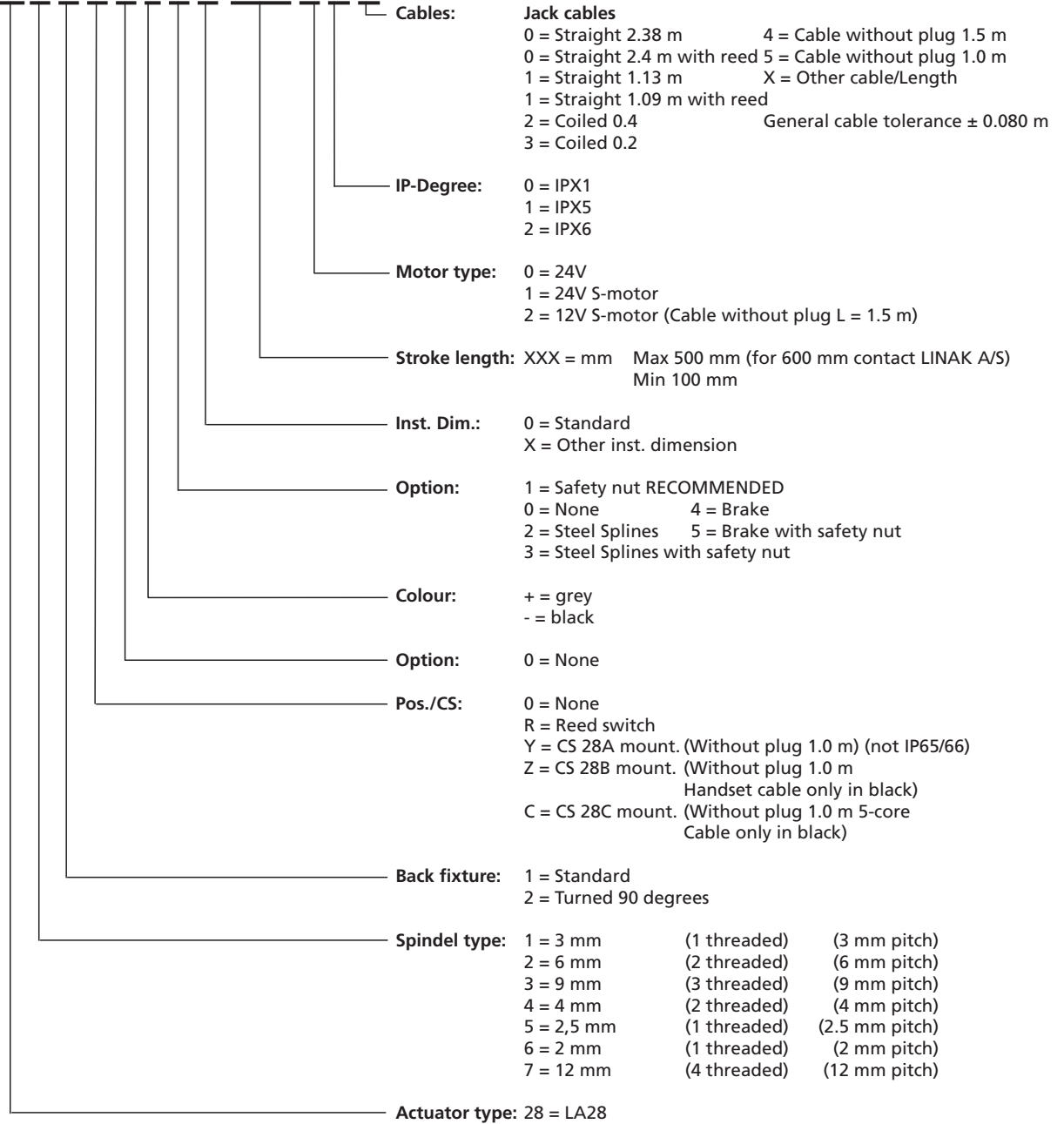
Above data: the measurements are made with the actuators connected to a stable power supply.

A reed-switch has no influence on above mentioned data.

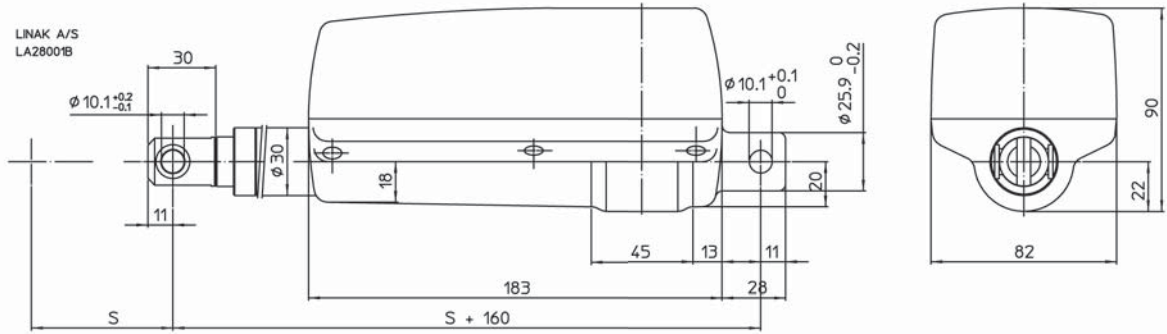
LA28

Ordering example:

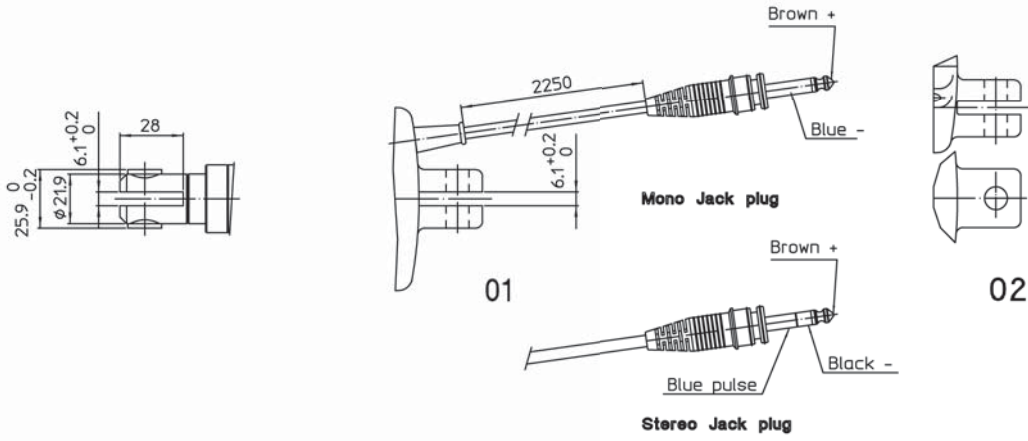
28 1 1 0 0 + 1 0 2 5 0 0 0 0



Dimensions:

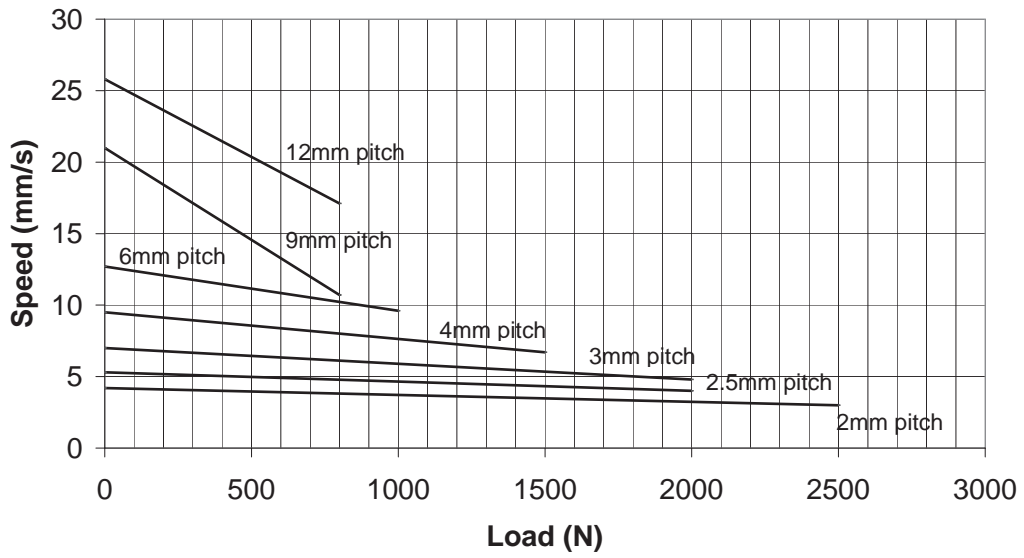


- S+160 LA28 (with or without safety nut)
- S+171 splines
- S+185 safety nut and splines
- S+192 brake

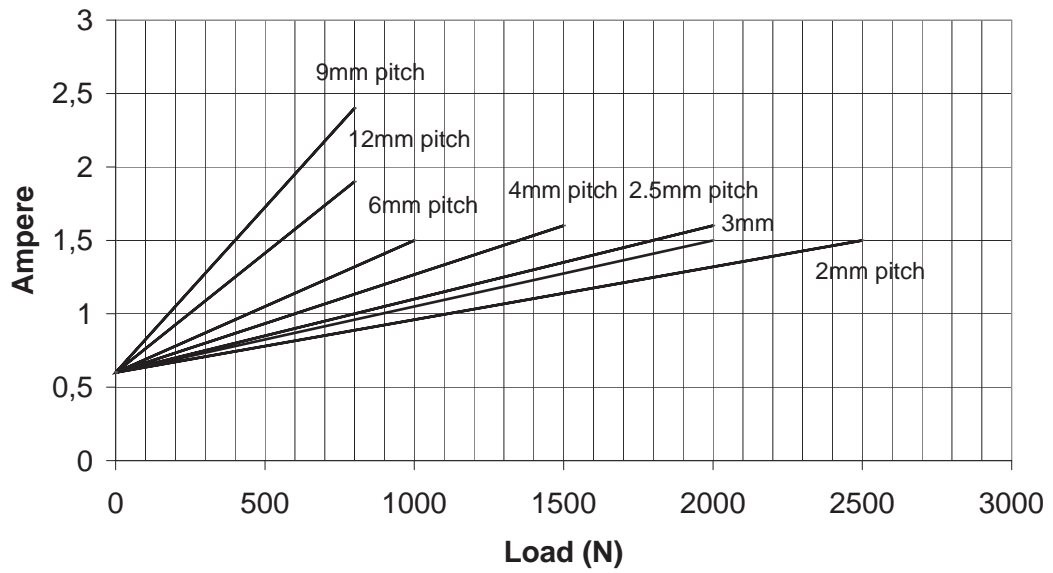


Curves:

LA28 std motor speed v's load

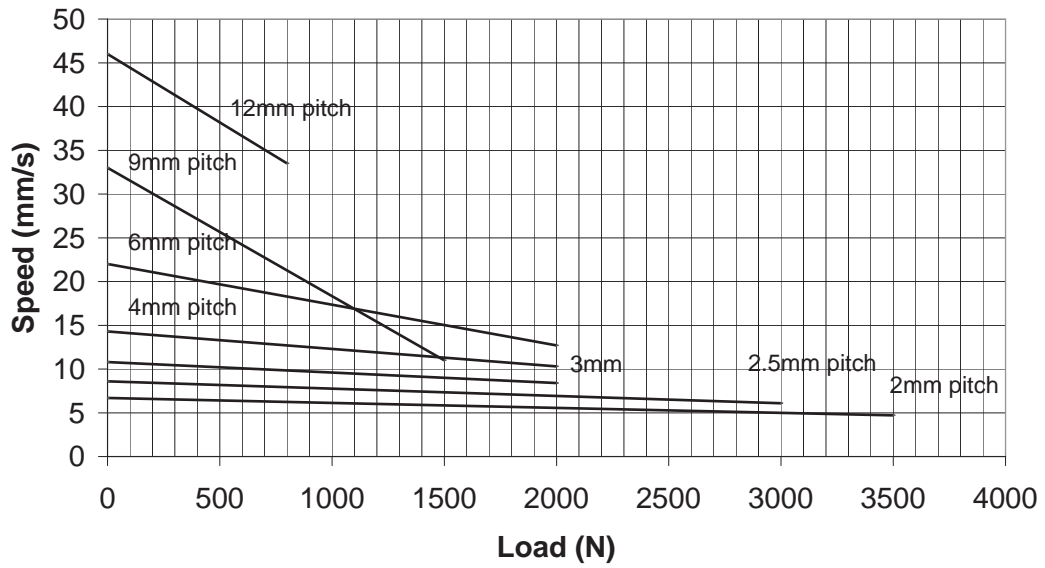


LA28 standard motor current v's load

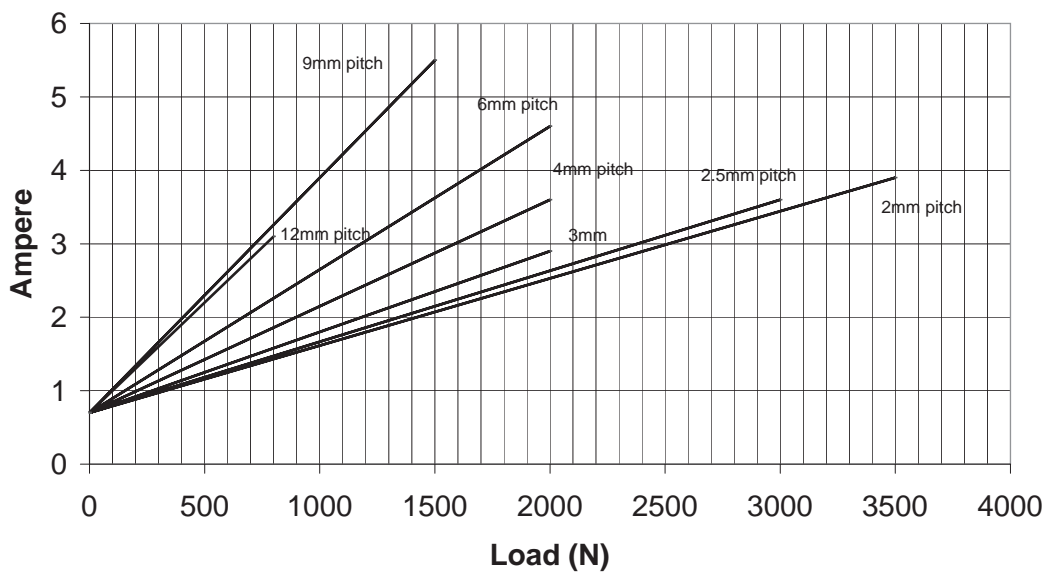


Curves:

LA28 "S" motor speed v's load

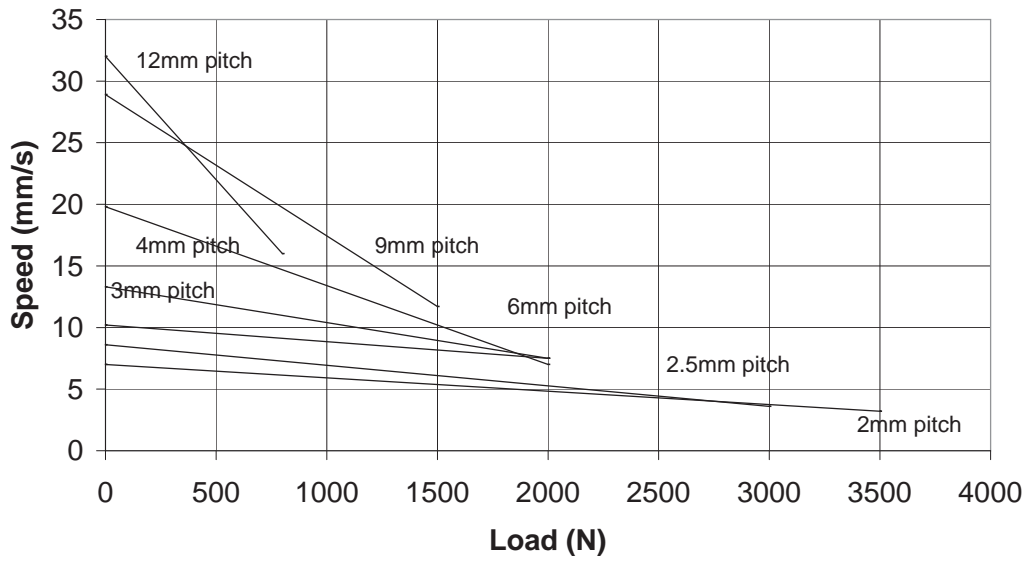


LA28 "S" motor current v's load

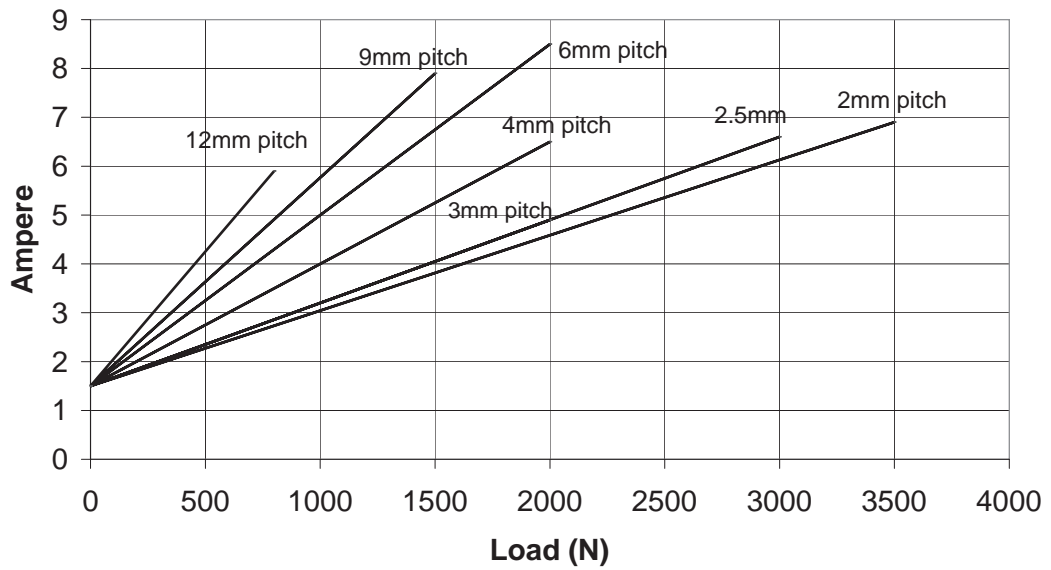


Curves:

LA28 12V motor speed v's load



LA28 12V motor current v's load



Terms of use

The user is responsible for determining the suitability of LINAK products for specific application. LINAK takes great care in providing accurate and up-to-date information on its products. However, due to continuous development in order to improve its products, LINAK products are subject to frequent modifications and changes without prior notice. Therefore, LINAK cannot guarantee the correct and actual status of said information on its products. While LINAK uses its best efforts to fulfil orders, LINAK cannot, for the same reasons as mentioned above, guarantee the availability of any particular product. Therefore, LINAK reserves the right to discontinue the sale of any product displayed on its website or listed in its catalogues or other written material drawn up by LINAK. All sales are subject to the Standard Terms of Sale and Delivery for LINAK. For a copy hereof, please contact LINAK.