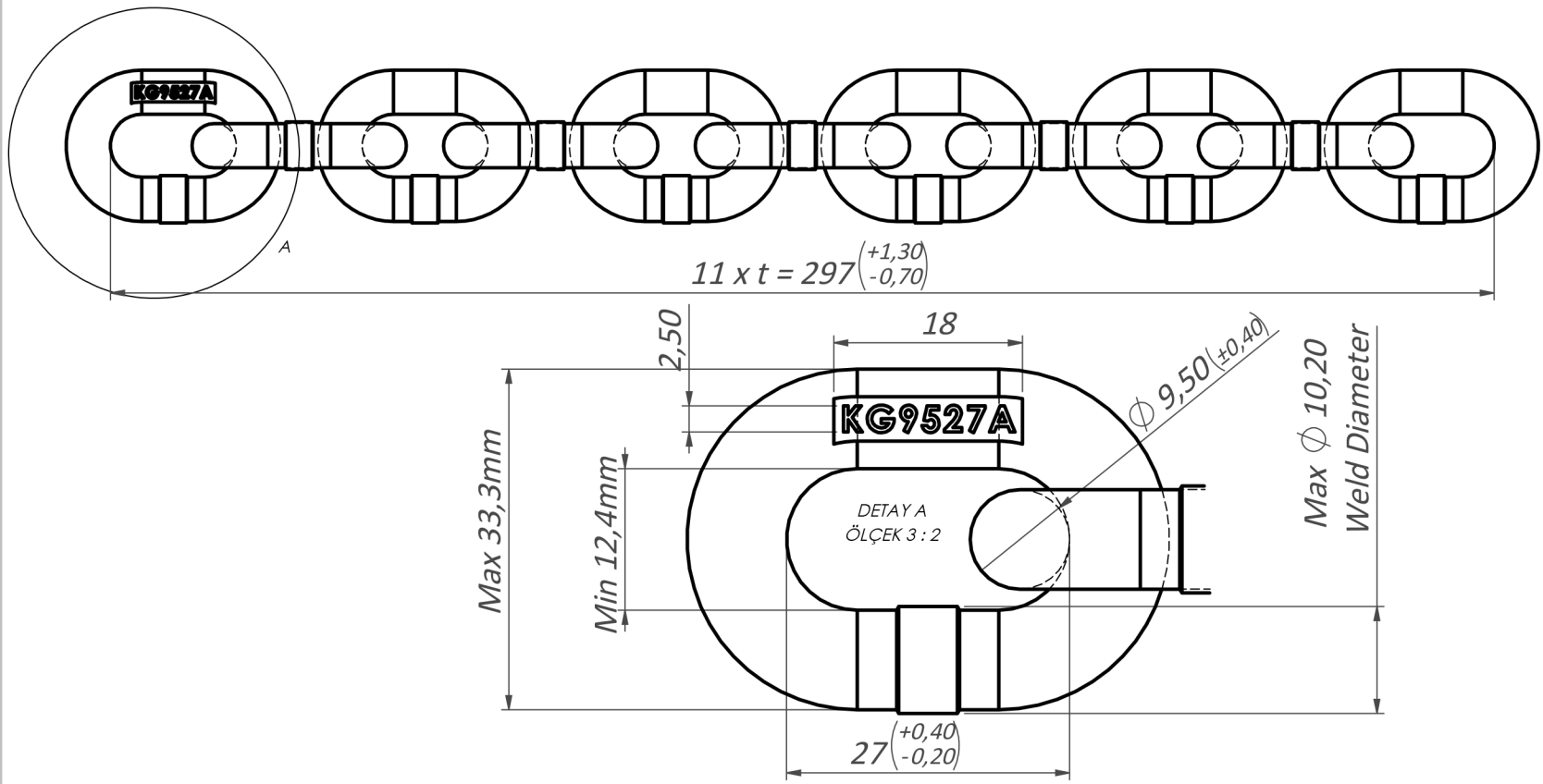


DIN-32895-Ø9,5x27x13,5mm Chain (KG9527A)



Properties & Notes		Tolerances for Total Meters in Production	
Material	Alloy Steel		
Standards for manufacturing and testing	DIN -32895	0,999mt - 37link	Min : 999mm Max : 1002mm
Breaking Force (BF)	Min 100 kN	4,995mt - 185link	Min : 4995mm Max : 5010mm
Manufacturing Proof Force (MPF)	62,5 kN	9,990mt - 370-371link	Min : 9990mm Max : 10020mm
Working Load Limit (WLL)	Max 25 kN	25,002mt - 926-928link	Min : 25002mm Max : 25077mm
		50,004mt - 1852-1857link	Min : 50004mm Max : 50154mm
Ultimate Elongation (A)	% 10 min	100,008mt - 3704-3715link	Min : 100008mm Max : 100308mm
Bend Deflection (f)	7 mm Min		

NOTE : Unless otherwise stated, the tolerances in the table apply. However, for double chain strips, the maximum difference between them should not exceed 0.1%.