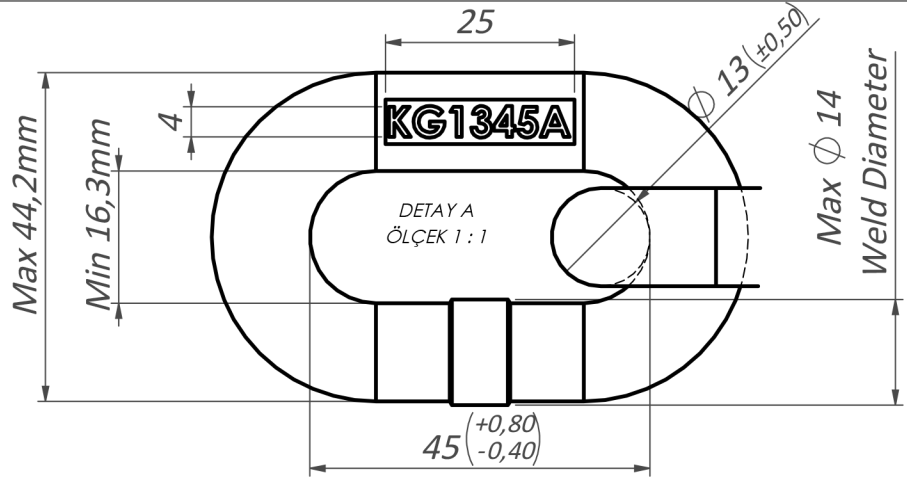
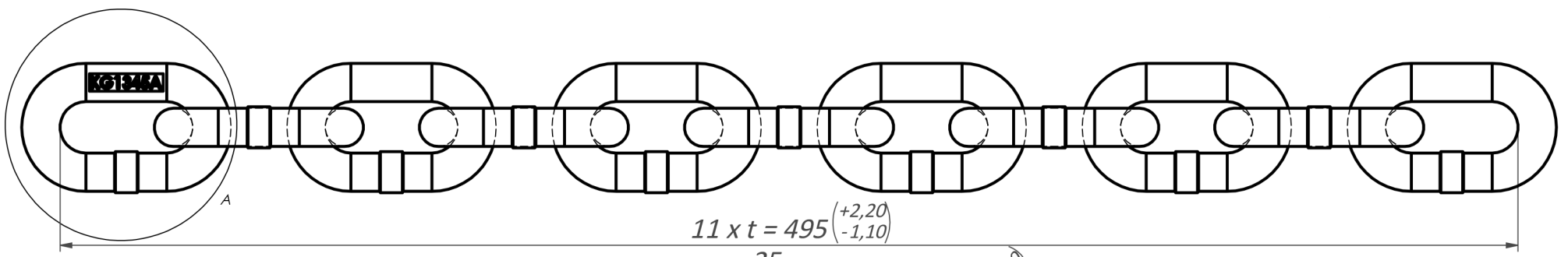


DIN-32895-Ø13x45x17,5mm Chain(KG1345A)



Properties & Notes		Tolerances for Total Meters in Production	
Material	Alloy Steel		
Standards for manufacturing and testing	DIN -32895	1,035mt - 23link	Min : 1035mm Max : 1038mm
Breaking Force (BF)	Min 190 kN	4,995mt - 111link	Min : 4995mm Max : 5010mm
Manufacturing Proof Force (MPF)	118 kN	9,990mt - 222link	Min : 9990mm Max : 10020mm
Working Load Limit (WLL)	Max 47,5 kN	25,020mt - 556-557link	Min : 25020mm Max : 25095mm
Ultimate Elongation (A)	% 10 min	49,995mt - 1111-1114link	Min : 49995mm Max : 50145mm
Bend Deflection (f)	11mm Min	99,990mt - 2222-2228link	Min : 99990mm Max : 100290mm

NOTE : Unless otherwise stated, the tolerances in the table apply. However, for double chain strips, the maximum difference between them should not exceed 0.1%.