

ASSEMBLY AND REPLACING ELEMENT INSTRUCTIONS

ASSEMBLY

Once you have checked the integrity of the filter inside its package, proceed as follows:

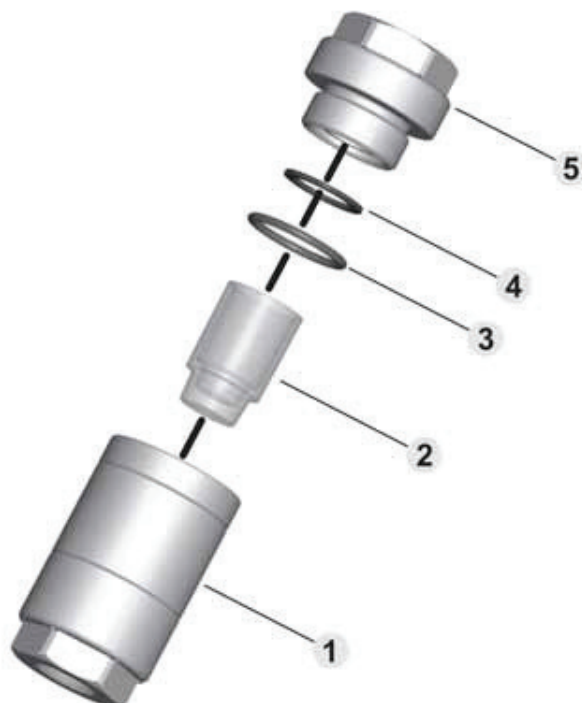
- A Take the protection caps off the oil inlet and outlet.
- B Link the circuit's pipes to the filter and secure the connections with tightening torques as indicated on page 8.
In case of unidirectional use, make the circuit's connection in accordance with the symbology of pages 6, 7 .
- C Start the circuit for a few minutes.
- D Make sure there are no leaks.

REPLACING ELEMENT

Once the working hours limit indicated in the maintenance instructions of the system is reached, or when there is a considerable circuit's pressure drop, the cartridge must be replaced, remembering that this procedure involves the drainage of hydraulic oil and therefore you need to prepare suitable containers to collect the oil.

Proceed as follows:

- A Stop the system in "Machine stopped" status.
- B Secure any shut-off valves on the hydraulic circuit.
- C Disconnect the circuit's pipes from the filter.
- D Unscrew the closure cap with the maximum care (pos.5).
- E Remove the clogged filtering cartridge (pos.2).
- F Make sure the O-ring (pos.3) and the gasket (pos.4) are not damaged, otherwise replace them and consequently position the new ones correctly.
- G In case of substitution, insert the new element or the one partially restored after having immersed it in cleaning fluids and then treated with compressed air.
- H Screw the closure cap, then tighten to a tightening torque as indicated on pages 6, 7.
- I Reconnect the pipes and secure the connections with tightening torques as indicated on pages 8.
- L Start the circuit for a few minutes.
- M Make sure there are no leaks.



Pos.	Description
1	Filter body
2	Filtering element
3	O-Ring
4	Gasket
5	Closure cap

When ordering spare parts, always specify the reference number, the filter code and quantity.

Example: Spare part pos. 3 - HHQ00010 - Qty 2

02/12.2010