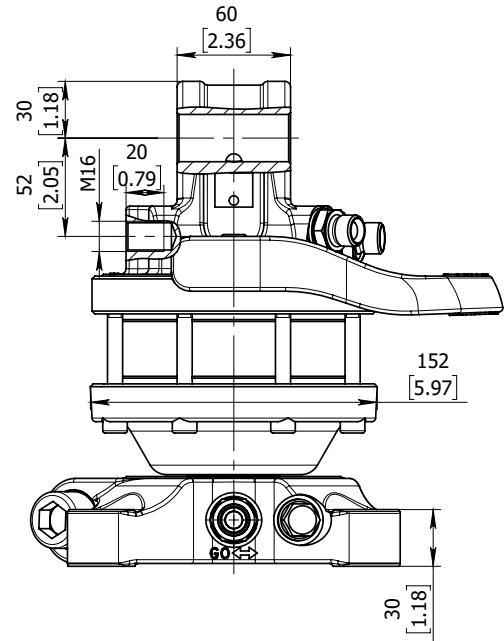
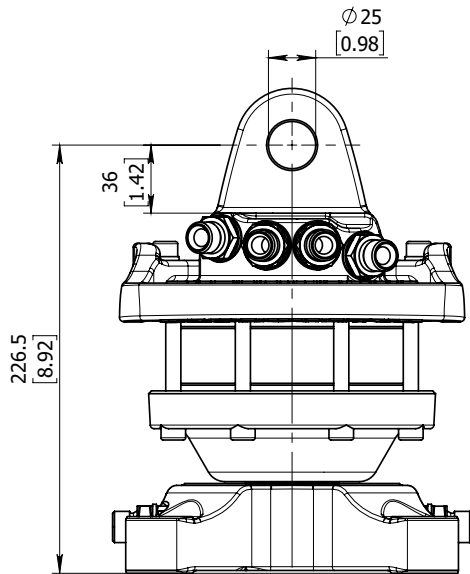
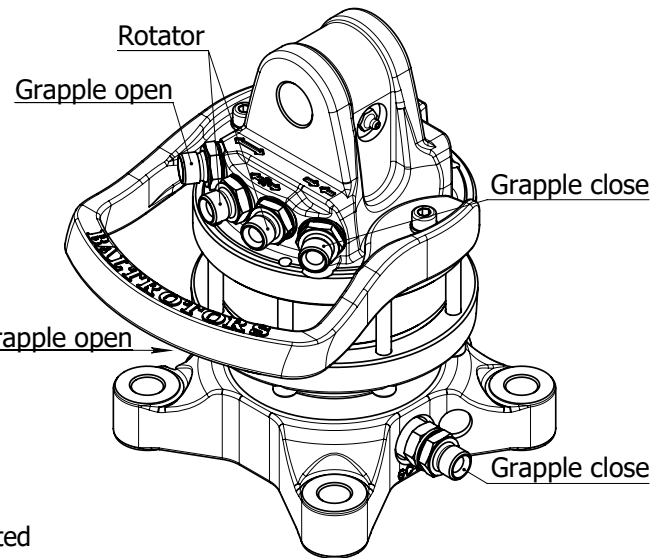
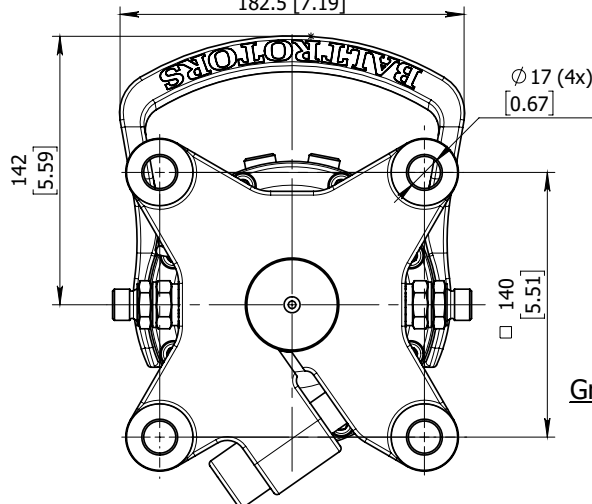


# ROTATOR GR30PF



A

VIEW A  
182.5 [7.19]



## Technical data

Rotation	Unlimited
Max axial load static, KN (lbf)	30 (6745)
Max axial load dynamic, KN (lbf)	15 (3372)
Torque at 25Mpa (3625psi), Nm (lb ft)	1000 (738)
Rec oilflow, l/min (US gallon)	20 (5.3)
Weight, kg (lb)	20 (44)

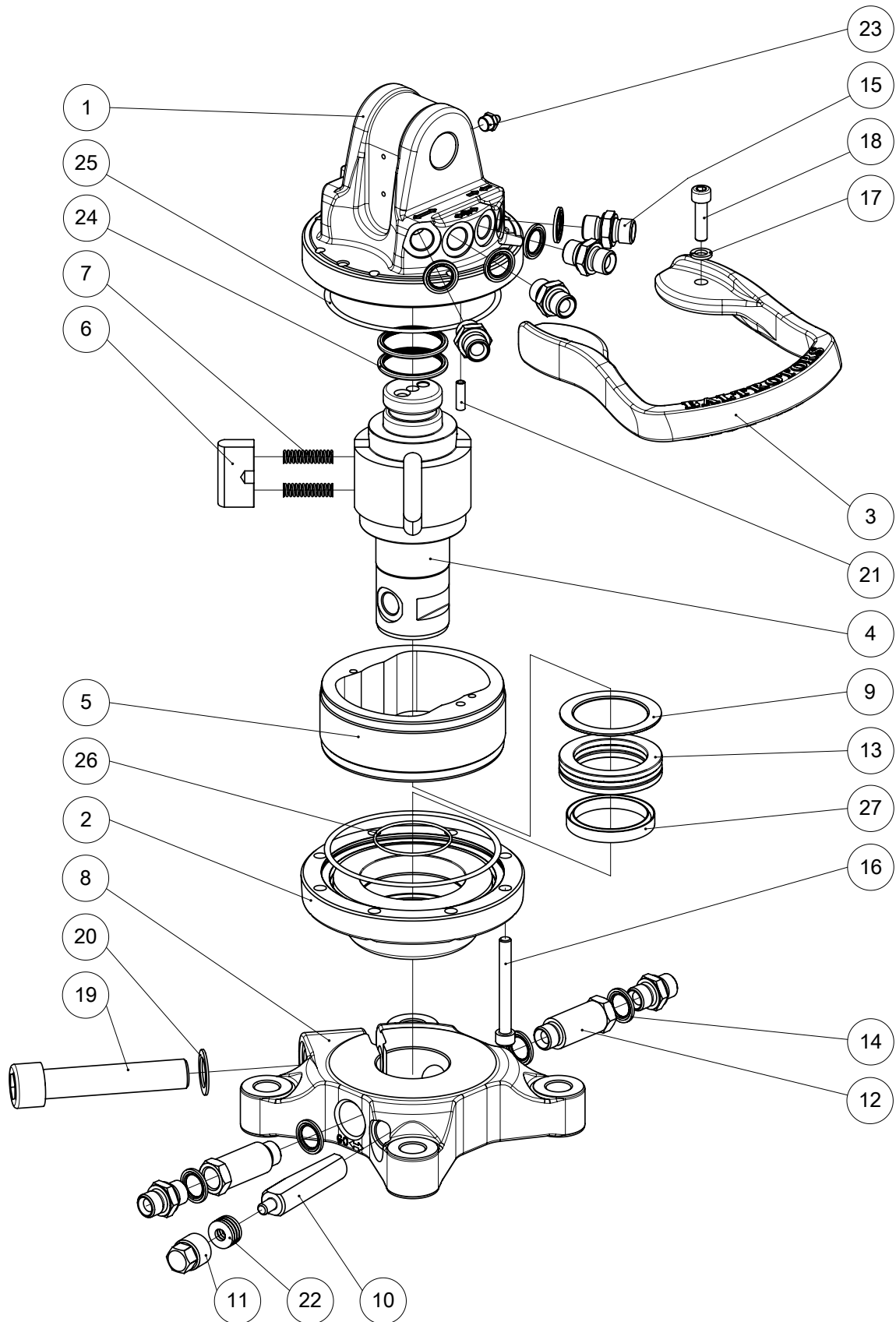
### Max working pressure:

Rotator	←R→	Max 25 MPa (3625 psi)	G 3/8
Grapple / Tool open	←G→	Max 20 MPa (2900 psi)	G 3/8
Grapple / Tool close	→G←	Max 30 MPa (4350 psi)	G 3/8

### Connection:

# ROTATOR GR30PF

## List of parts



# ROTATOR GR30PF

## List of parts

Pos.	Part	Title	Quantity	Notes
1	G207-00000	Stator plate, upper	1	
2	G207-00001	Stator plate, lower	1	
3	G207-00002	Hose guard	1	
4	G207-00005	Rotator shaft	1	
5	G207-00004	Stator frame	1	
6	G211-00030	Vane	4	
7	G2091-00000	Spring	8	
8	G207-00006	Link, lower	1	
9	G211-00037	Shim	1	
10	M1212-00002	Wedge	1	
11	M2601-00008	Locking screw	1	
12	G117-00014	Nipple	2	
13	G2133-00001	Axial bearing	1	
14	M2602-00000	Bonded seal	8	
15	G117-00000	Nipple	6	
16	M2305-00000	Screw	8	
17	M2301-00000	Spring washer	2	
18	M2305-00041	Screw	2	
19	M2305-00025	Screw	1	
20	M2306-00006	Washer	1	
21	M2307-00010	Pin	1	
22	M2302-00000	Cup spring	4	
23	M2610-00000	Grease nipple	1	
<b>Seal kit</b>				
24	G1021-00007	Glide ring	2	
25	G1024-00040	O-ring	2	
26	G308-00059	O-ring	1	
27	G1022-00009	Seal	1	