



ACTIMO® XL

Standard Seat with
Automatic Positioning System



CAPITALseating

www.capitalseating.co.uk

tel: +44 (0)116 216 9910 | email: grammer@capitalseating.co.uk



GRAMMER

TECHNICAL DATA

ACTIMO® XL

Equipped with an automatic positioning system and an adjustable shock absorber, the Actimo XL with pneumatic suspension delivers excellent comfort. Automatic weight adjustment eliminates the time-consuming business of setting the seat to the driver's weight – an important benefit when machines are used by multiple operators.



Pneumatic suspension



Pneumatic Lumbar Support



Adjustable Shock Absorber



Automatic Positioning System



Automatic Weight Adjustment



Fore/aft Isolator



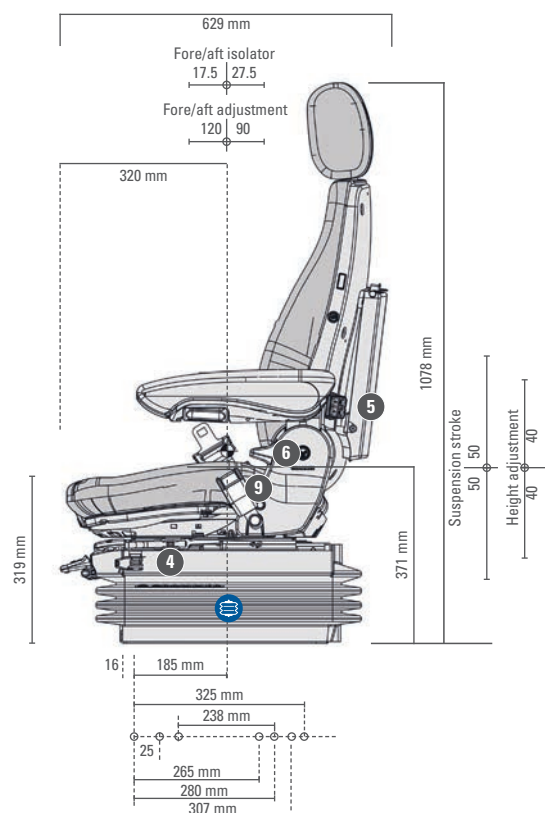
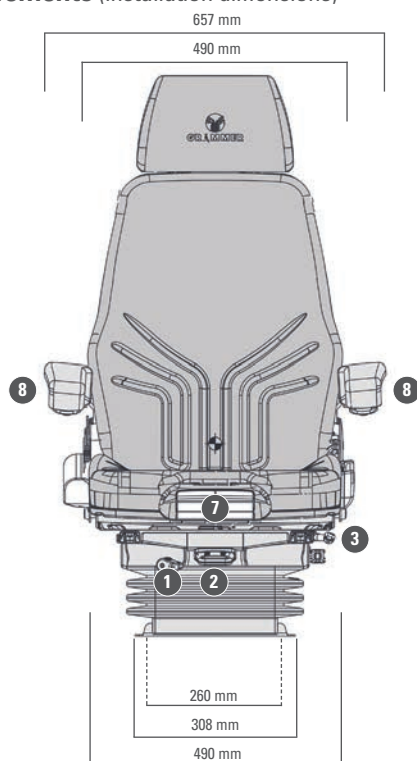
Passive Climate System

Features ● Standard ○ Optional

	ACTIMO® XL
Article no. fabric	
Compressor 12V	1294557
Compressor 24V	1294562
① Shock absorber adjustable	●
④ Suspension	
Pneumatic suspension with compressor	●
Suspension stroke 100 mm	●
Weight adjustment 50 - 130 kg, automatic	●
② Height adjustment 80 mm infinite (air-assisted)	●
Climate system passiv	●
③ Fore/aft adjustment 210 mm	●
④ Fore/aft isolator lockable	●
⑤ Lumbar support pneumatic	●

	ACTIMO® XL
⑥ Adjustable backrest angle	●
Seat cushion width	490 mm
⑦ Adjustable seat cushion depth and angle	●
OPTIONAL FEATURES	
⑧ Armrests, height-adjustable and foldable	
65 mm x 270 mm	○
80 mm x 320 mm, adjustable angle	○
80 mm x 380 mm, adjustable angle	○
Operator presence switch (OPS)	○
Seat heating	○
⑨ Restraint system	○
Control carrier consoles	○

Measurements (installation dimensions)



All dimensions in mm.
Subject to technical changes.