



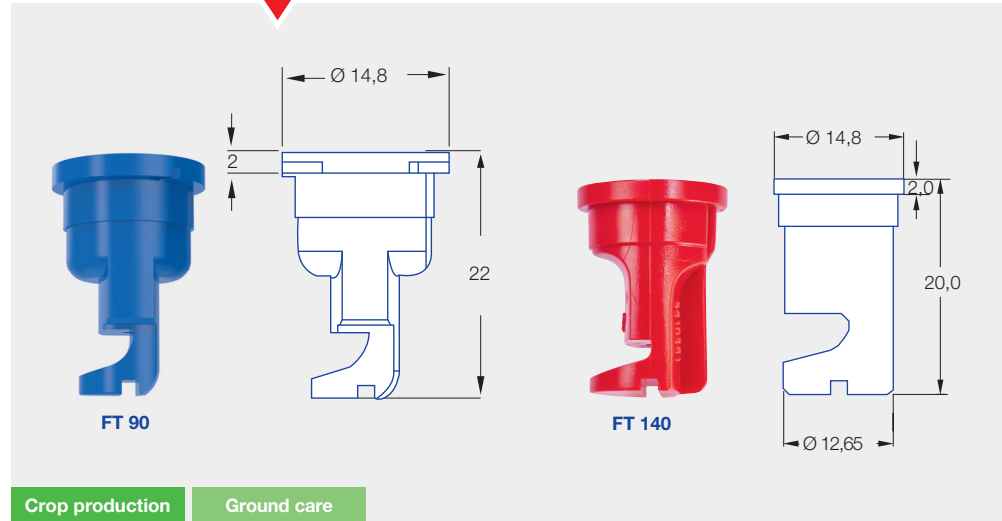
Flood nozzles FT

NEU

Clog-resistant flat spray nozzle.

Advantages

- Compact design
- Large, round flow cross-sections
- Self cleaning of jet forming area
- Jet build-up already from 1 bar
- FT 90 high drift reduction thanks to integrated pre-chamber



Crop production

Ground care



Nozzle size
0.5 – 10.0



Spray angle
90°, 140°



Material
POM, stainless steel



Pressure range
FT 90: 1 – 3 – 6 bar
FT 140: 1 – 2 – 3 bar



Recommended filters
80 M 0.5
60 M 0.5 – 2.0
25 M 2.5 – 10.0



Droplet size
Medium – fine



Width across flats
Ø 12.65 mm

Application areas



Plant protection products and growth regulators



Backpack sprayer



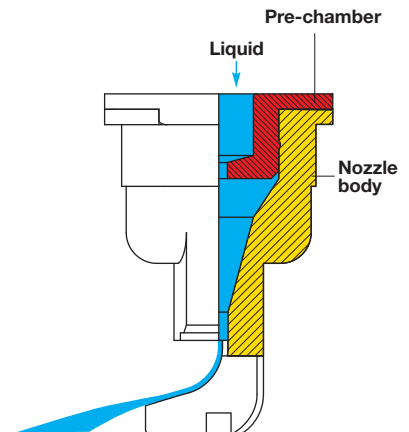
Dropleg^{UL}



Greenhouse



Band spraying
FT 90



Spray table for flood nozzles FT

 ()		l/min	l/ha 						l/ha 					
			6	8	10	12	14	16	6	8	10	12	14	16
			km/h	km/h	km/h	km/h	km/h	km/h	km/h	km/h	km/h	km/h	km/h	km/h
FT 90-01 140-01 (80 M)	1	0.23	46	35	28	23	20	17	31	23	18	15	13	12
	2	0.32	64	48	38	32	27	24	43	32	26	21	18	16
	3	0.39	78	59	47	39	33	29	52	39	31	26	22	20
	4	0.45	90	68	54	45	39	34	60	45	36	30	26	23
6	0.55	110	83	66	55	47	41	73	55	44	37	31	28	
FT 90-015 140-015 (60 M)	1	0.34	68	51	41	34	29	26	45	34	27	23	19	17
	2	0.48	96	72	58	48	41	36	64	48	38	32	27	24
	3	0.59	118	89	71	59	51	44	79	59	47	39	34	30
	4	0.68	136	102	82	68	58	51	91	68	54	45	39	34
6	0.83	166	125	100	83	71	62	111	83	66	55	47	42	
FT 90-02 140-02 (60 M)	1	0.46	92	69	55	46	39	35	61	46	37	31	26	23
	2	0.65	130	98	78	65	56	49	87	65	52	43	37	33
	3	0.80	160	120	96	80	69	60	107	80	64	53	46	40
	4	0.92	184	138	110	92	79	69	123	92	74	61	53	46
6	1.13	226	170	136	113	97	85	151	113	90	75	65	57	
FT 90-03 140-03 (60 M)	1	0.69	138	104	83	69	59	52	92	69	55	46	39	35
	2	0.97	194	146	116	97	83	73	129	97	78	65	55	49
	3	1.19	238	179	143	119	102	89	159	119	95	79	68	60
	4	1.37	274	206	164	137	117	103	183	137	110	91	78	69
6	1.68	336	252	202	168	144	126	224	168	134	112	96	84	
FT 90-04 140-04 (60 M)	1	0.91	182	137	109	91	78	68	121	91	73	61	52	46
	2	1.29	258	194	155	129	111	97	172	129	103	86	74	65
	3	1.58	316	237	190	158	135	119	211	158	126	105	90	79
	4	1.82	364	273	218	182	156	137	243	182	146	121	104	91
6	2.23	446	335	268	223	191	167	297	223	178	149	127	112	
FT 90-05 140-05 (25 M)	1	1.14	228	171	137	114	98	86	152	114	91	76	65	57
	2	1.61	322	242	193	161	138	121	215	161	129	107	92	81
	3	1.97	394	296	236	197	169	148	263	197	158	131	113	99
	4	2.27	454	341	272	227	195	170	303	227	182	151	130	114
5	2.54	508	381	305	254	218	191	339	254	203	169	145	127	
6	2.79	558	419	335	279	239	209	372	279	223	186	159	140	
FT 140-06 (25 M)	1	1.36	272	204	163	136	117	102	181	136	109	91	78	68
	2	1.93	386	290	232	193	165	145	257	193	154	129	110	97
	3	2.36	472	354	283	236	202	177	315	236	189	157	135	118
FT 140-08 (25 M)	1	1.82	364	273	218	182	156	137	243	182	146	121	104	91
	2	2.58	516	387	310	258	221	194	344	258	206	172	147	129
	3	3.16	632	474	379	316	271	237	421	316	253	211	181	158
FT 140-10 (25 M)	1	2.27	454	341	272	227	195	170	303	227	182	151	130	114
	2	3.22	644	483	386	322	276	242	429	322	258	215	184	161
	3	3.94	788	591	473	394	338	296	525	394	315	263	225	197
FT 140-15 (25 M)	1	3.41	682	512	409	341	292	256	455	341	273	227	195	171
	2	4.83	966	725	580	483	414	362	644	483	386	322	276	242
	3	5.91	1182	887	709	591	507	443	788	591	473	394	338	296
FT 140-20 (25 M)	1	4.55	910	683	546	455	390	341	607	455	364	303	260	228
	2	6.43	1286	965	772	643	551	482	857	643	514	429	367	322
	3	7.88	1576	1182	946	788	675	591	1051	788	630	525	450	394

- Spray pressure at the nozzle tip (gauged with a diaphragm valve)
- The stated liter-per-hectare rates apply to water.
- Prior to each spraying season, verify the table data by gauging the flow rates.
- Make sure that all nozzles have the same settings.

Example of ordering

Type	+	spray angle	+	int'l nozzle size	+	material	=	order number
FT 90		90°		03		(POM)	=	FT 90-03 POM
FT 140		140°		04		(POM)	=	FT 140-04 POM