

AUTOFUSE
PROFESSIONAL
MANUFACTURER

SHEN
xlong



常州市沈雄电子有限公司
CHANGZHOU SHENXIONG ELECTRONIC CO.,LTD.



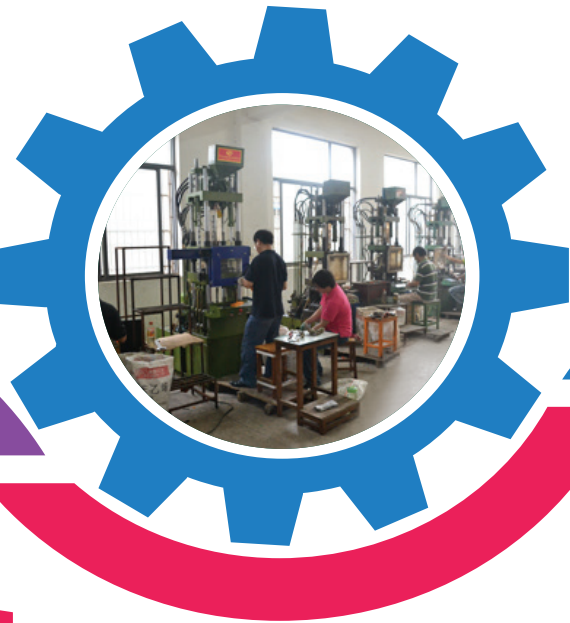
常州市沈雄电子有限公司
成立于1979年，专业生产各种性能、
型号、规格的保险丝管、管座、车用保险
丝系列，系全国保险丝行业销售量最大，产品
广泛应用于汽车工业、家电行业。“沈雄”牌保险
丝系列产品，凭借ISO9001：2015质量管理体系认证
以及先进的技术，一流的生产设备作为后盾，产品先
后通过了CCC、CE、ROHS等认证。

公司产品规格齐全，质量优良，信誉卓越，畅销
于欧美、东南亚、西亚、非洲及拉美诸国。

我司一直本着产品优良，价格合理，优
质服务的理念来服务我们的客户，选择
沈雄，品质保证。欢迎新老客户
来电来函洽谈业务。

携手共进 共创未来

CREATE THE FUTURE



Our factory specializes in producing fuse tube, fuse holders, automotive fuse, and its seat with different performance, types and specifications. It has been more than 40 years of history since our factory was built. Our factory is one of the largest factories all over the country. Our products are widely applied to household electric appliance and auto industry. Win approval of industrial and commercial administration bureau, the registered trade-mark of our products is Shenxiong. Since 1989, won safe certificate of product quality authorized by Ministry of Electronic Industry in succession. The product has passed the authentication of CCC,CE,ROHS. The enterprise has passed the authentication of quality governance assurance system of ISO 9001:2015.

They are well sold all over the country and exported to Europe, America, Southeast Asia, West Asia, Africa and countries in Latin America.

Our factory is willing to serve sincerely the customers with the best quality, reasonable price. Sincerely welcome customers to talk about business with us through fax or letter.

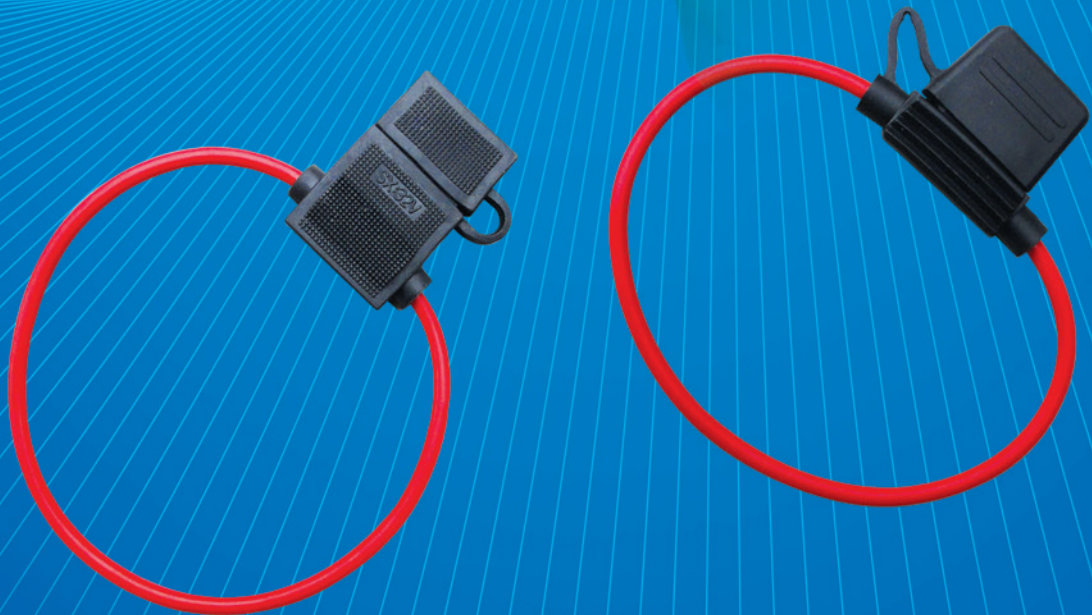
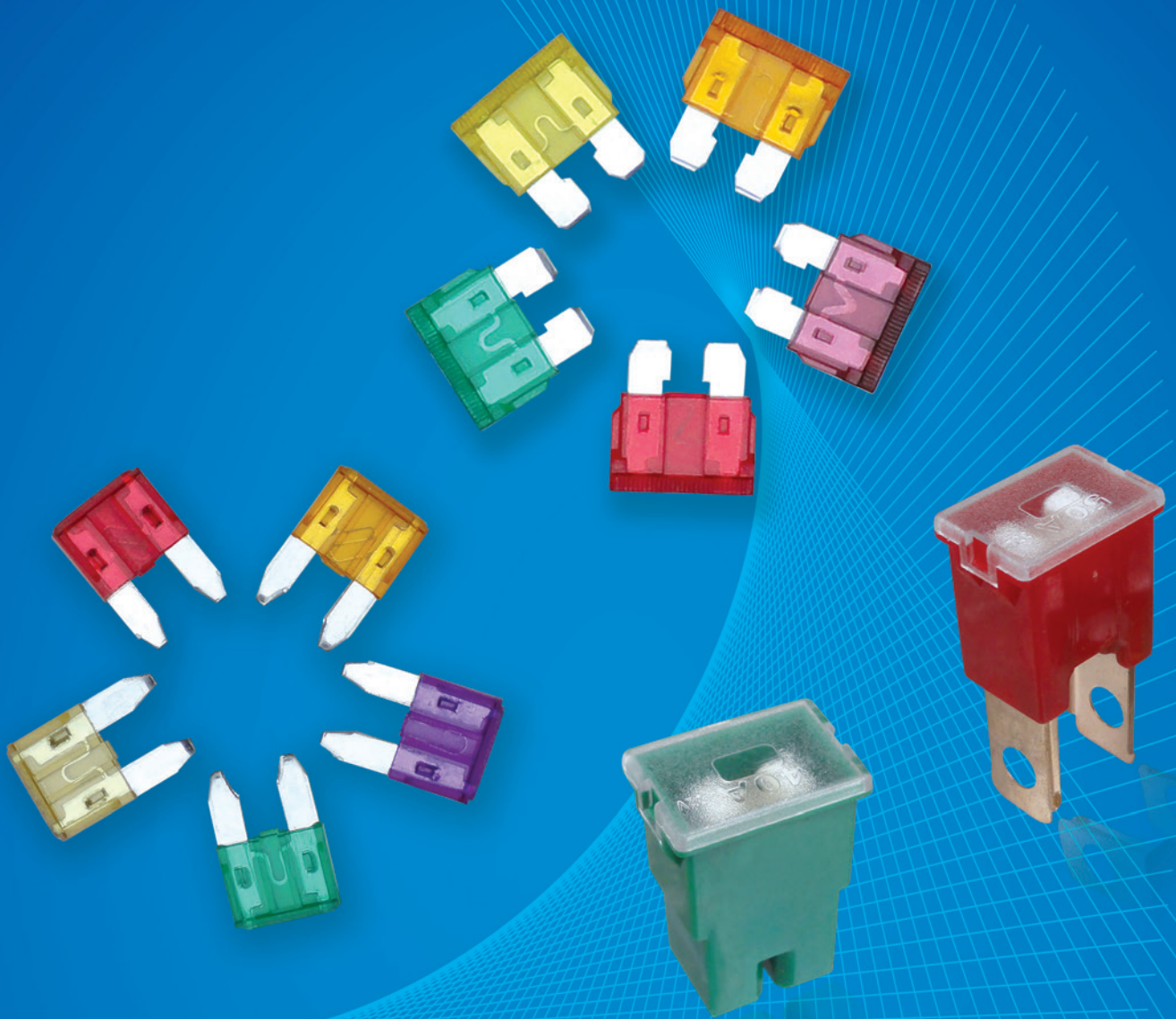


Contents

目录

- 01 车用低压保险丝 LOW VOLTAGE AUTO FUSE
- 05 螺栓式汽车保险丝 BOLT IN AUTO FUSE
- 06 日系车用保险丝 AUTO FUSE (FUSE LINKS)
- 08 车用低压保险丝座 AUTO FUSE HOLDER
- 11 螺栓式汽车保险丝座 BOLT IN AUTO FUSE HOLDER
- 12 保险丝夹及保险丝座 FUSE CLIPS & BLOCKS
- 13 限温保险丝 TEMPERATURE LIMIT FUSE
- 14 玻璃保险丝管（大电流快断） GLASS FUSE TUBE (QUICK ACTING OF HEAVY CURRENT)
- 15 玻璃保险丝管（快断） GLASS FUSE TUBE (QUICK ACTING)
- 16 玻璃保险丝管（慢断） GLASS FUSE TUBE (SLOW-BLOW)
- 17 点烟器 CAR CIGARETTER LIGHTER
- 17 包装 PACKAGE



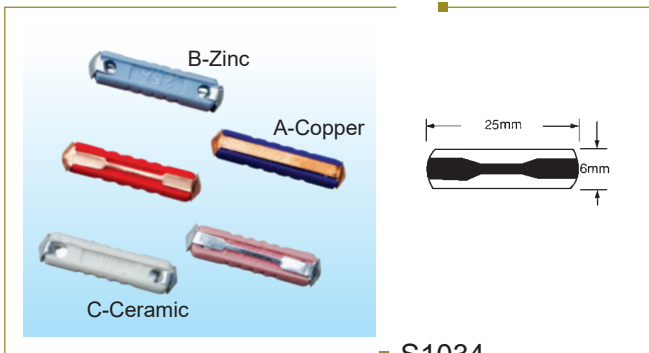




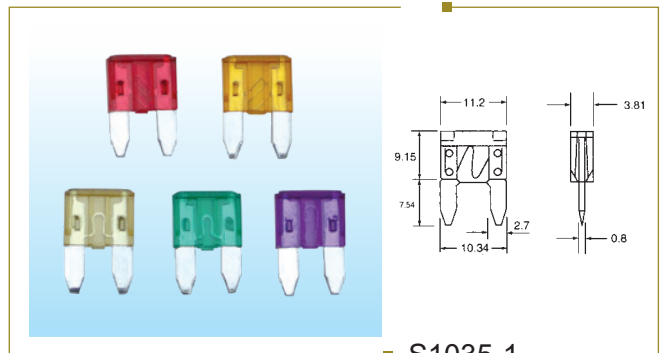
S1033-1



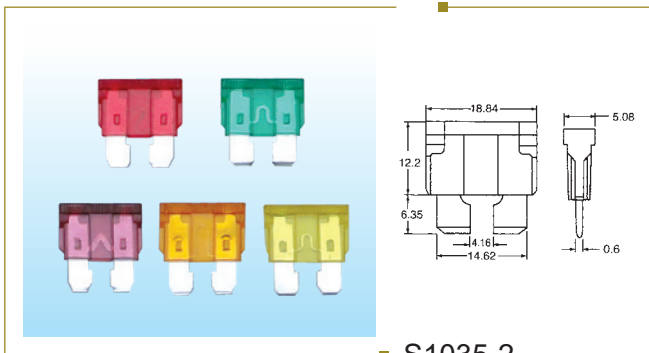
S1033-2



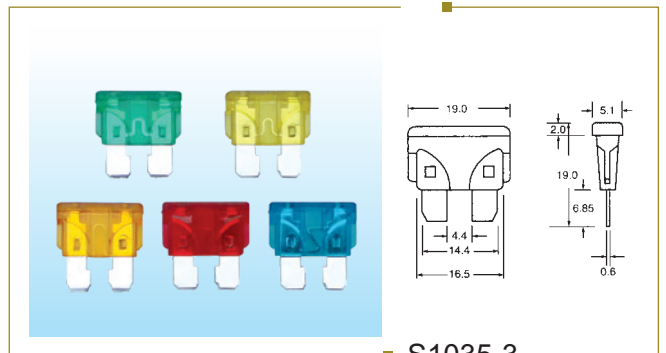
S1034



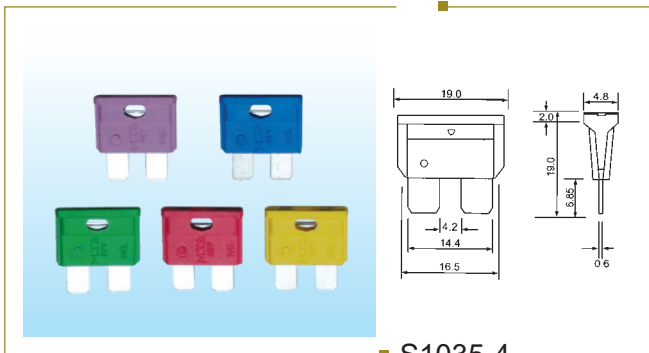
S1035-1



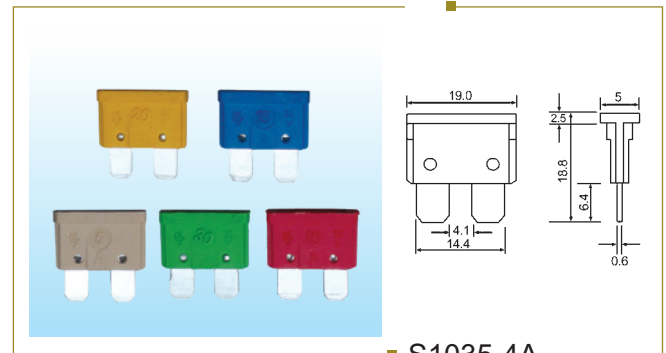
S1035-2



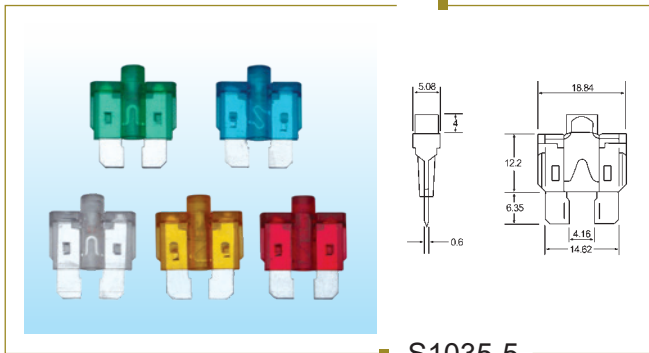
S1035-3



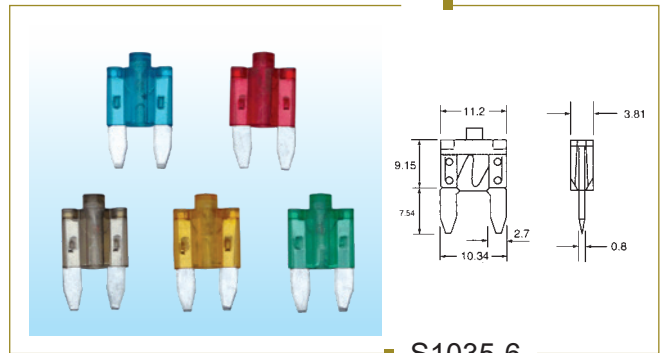
S1035-4



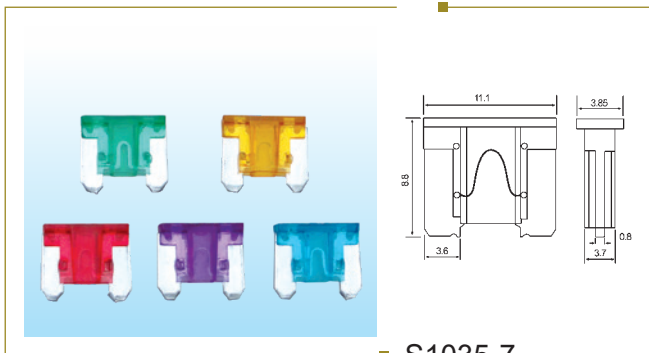
S1035-4A



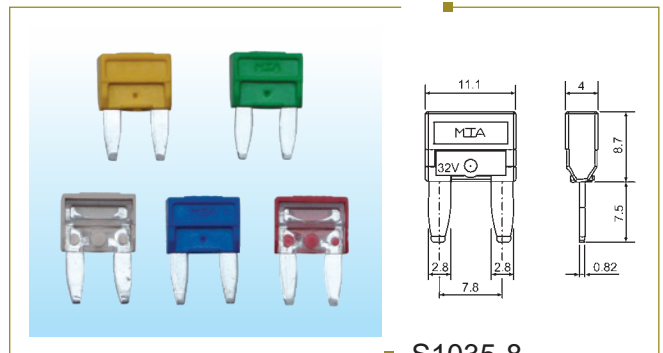
S1035-5



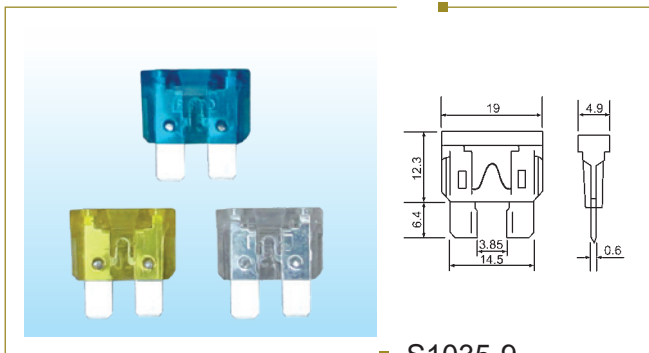
S1035-6



S1035-7



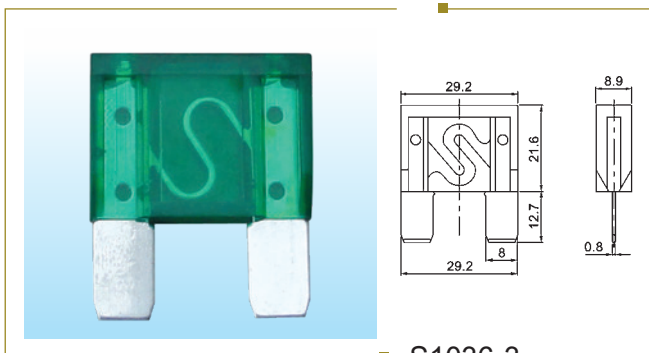
S1035-8



S1035-9



S1035-10



S1036-3



S1035-11

80-120PCS/BOX
6SPACES
50BOXES/ CTN



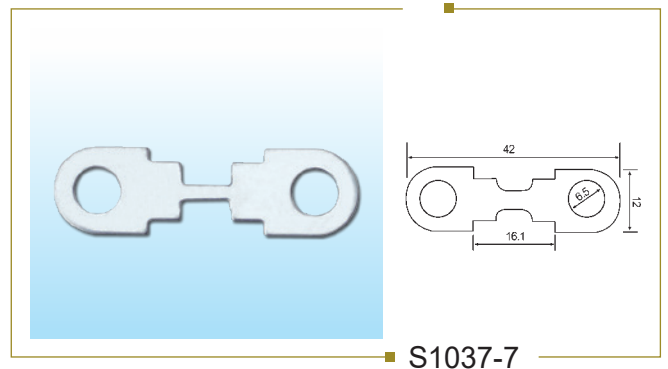
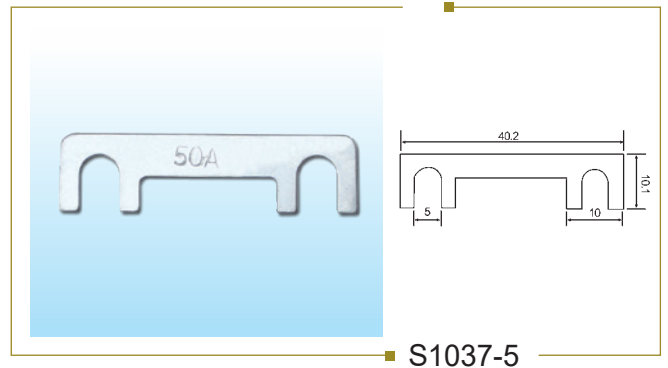
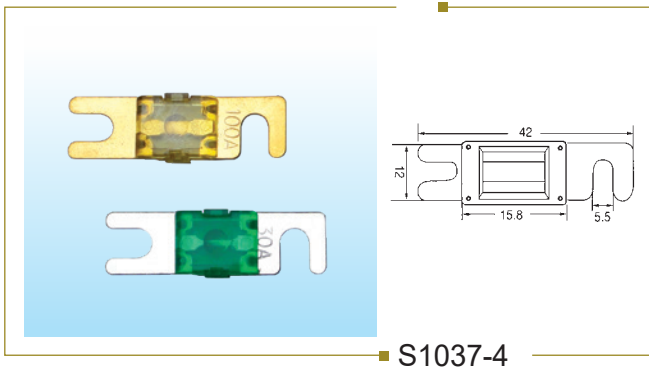
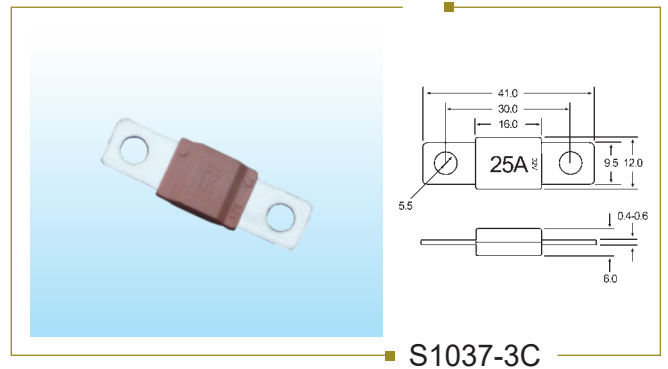
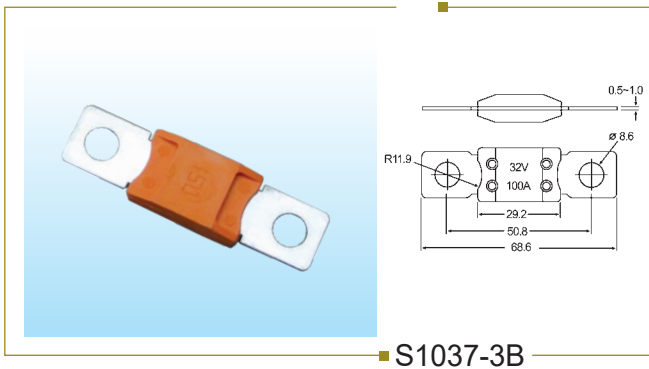
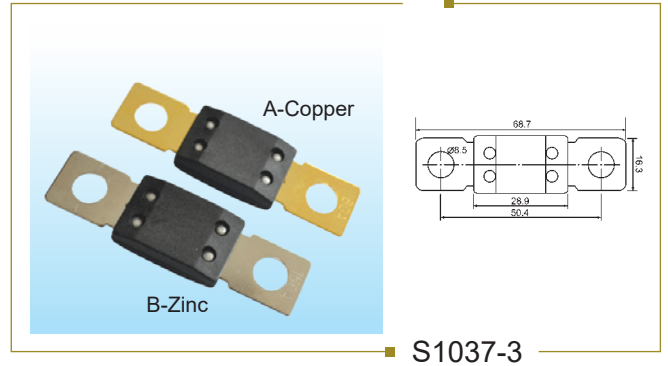
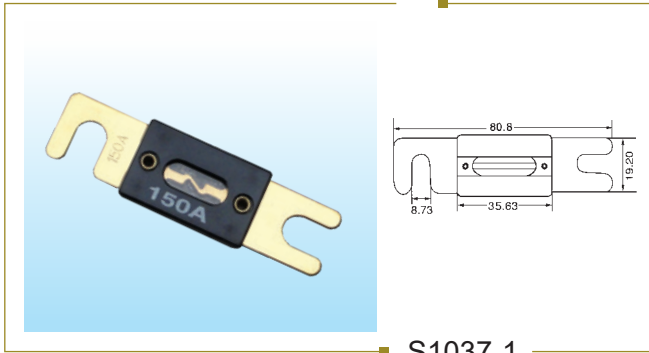
80-120PCS/BOX
8SPACES
100BOXES/ CTN

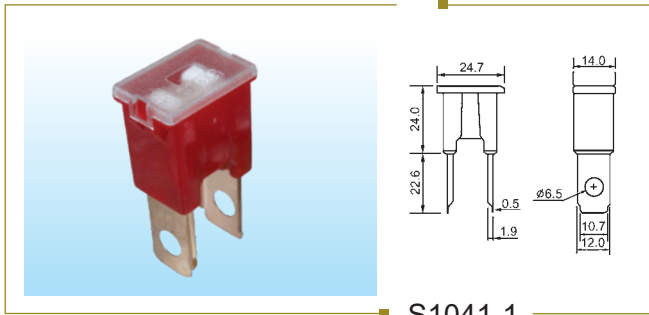


WITH TOOL
80-120PCS/BOX
9SPACES
100BOXES/ CTN

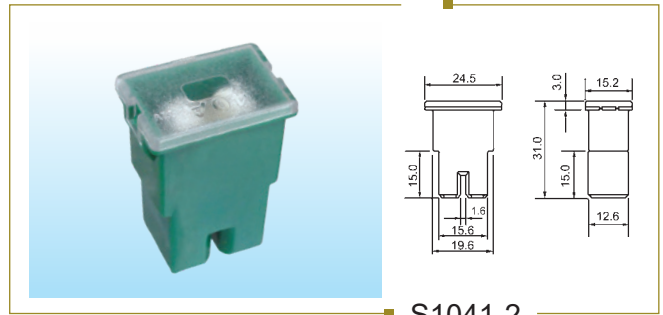


80PCS/BOX
10SPACES

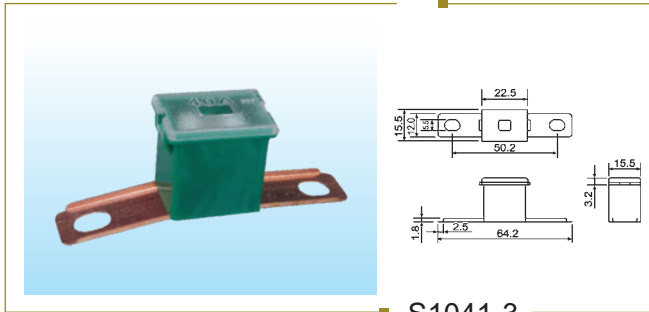




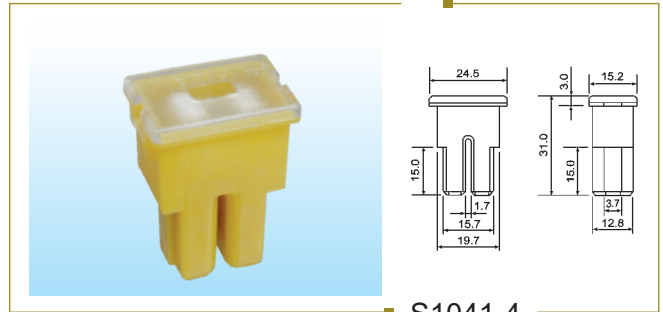
S1041-1



S1041-2



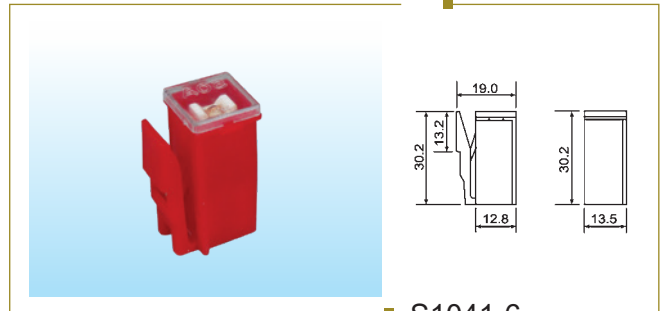
S1041-3



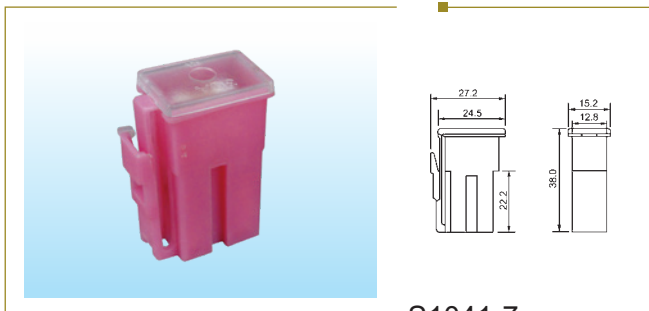
S1041-4



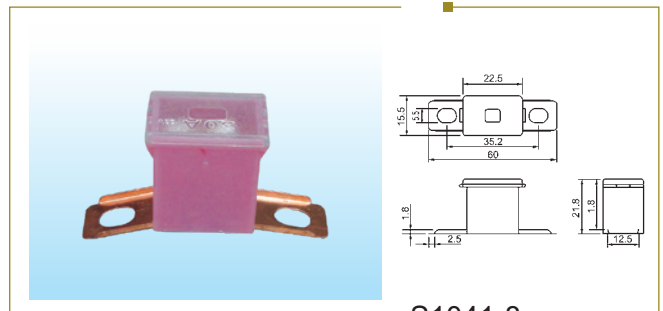
S1041-5



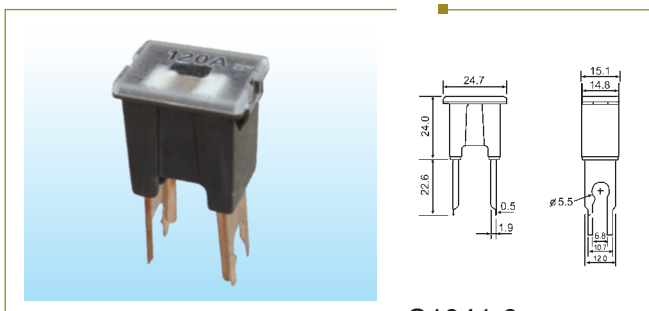
S1041-6



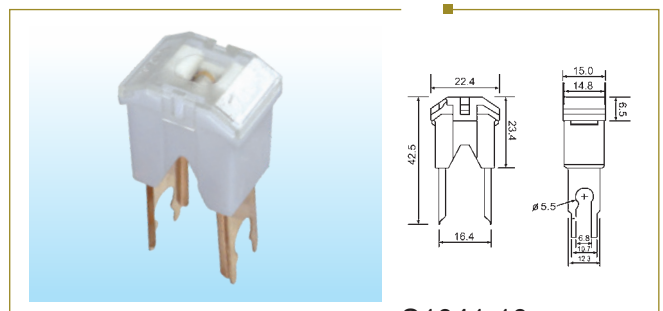
S1041-7



S1041-8

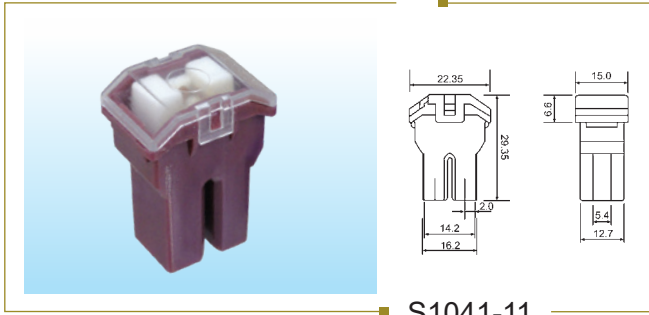


S1041-9



S1041-10

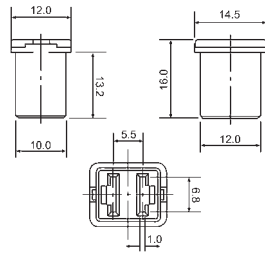
日系车用保险丝



S1041-11



S1041-12



Current Rating (A)	Housing Color
20	Blue
25	White
30	Pink
40	Green
50	Red
60	Yellow

S1041-13



S1041-15

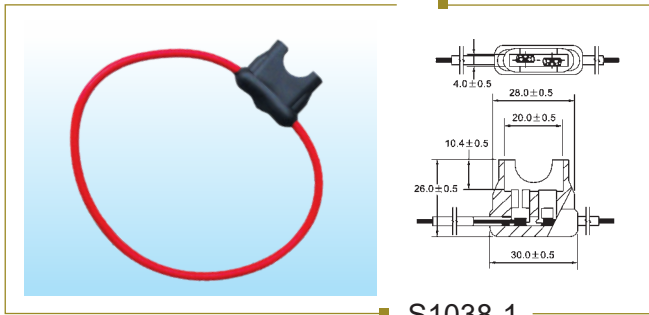
电气特性 Electrical Characteristics

额定 RATING	熔断时间 BLOWING TIME
100%	4hours min (最快 4 小时)
200%	10sec Max (最慢 10 秒)
350%	0.5sec Max (最慢 0.5 秒)

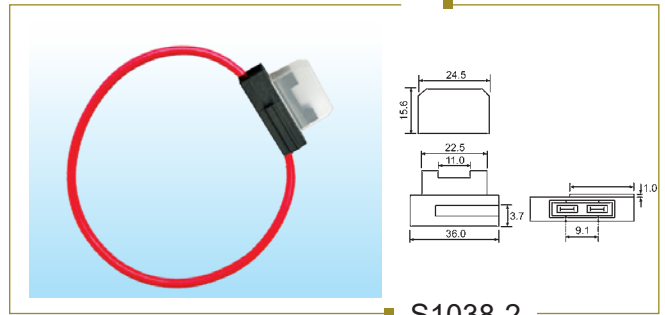
特征 Characterist

Stork No.	Amp	COLOR	Stork No.	Amp	COLOR
20A	20	white	60A	60	yellow
30A	30	pink	70A	70	brown
40A	40	green	80A	80	black
50A	50	red	100A	100	blue

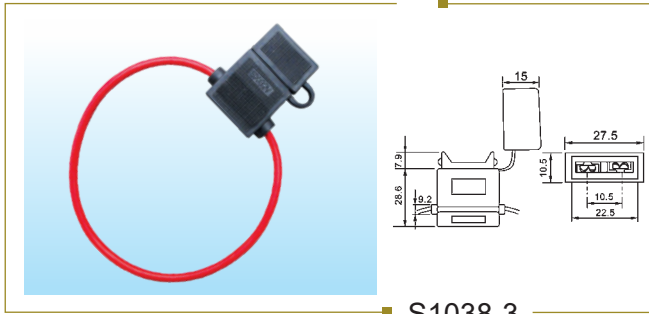




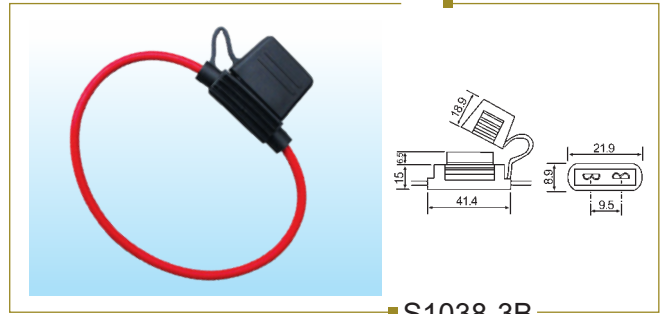
S1038-1



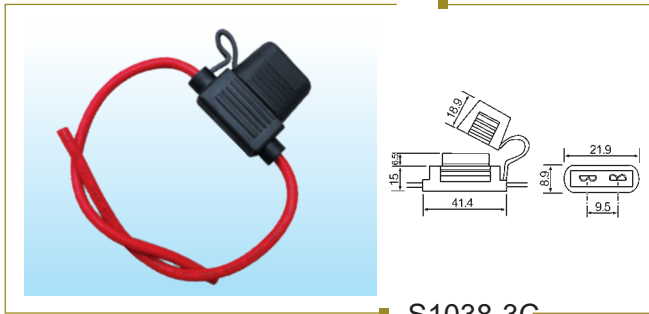
S1038-2



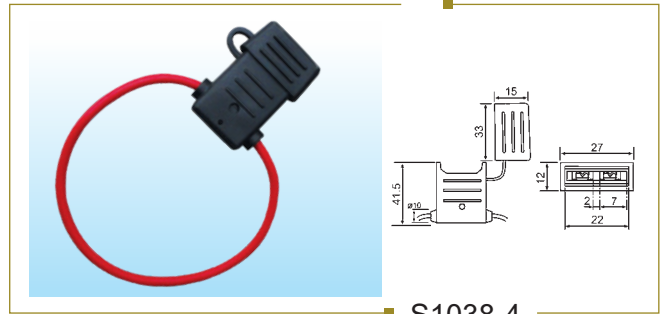
S1038-3



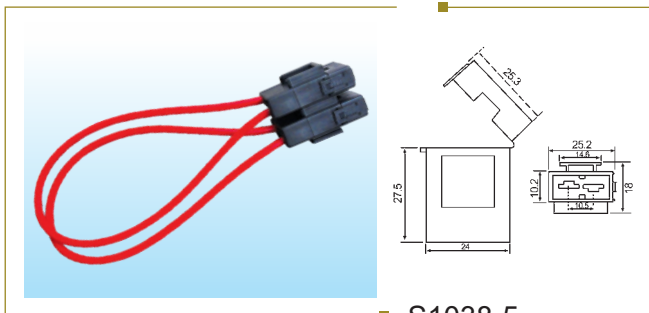
S1038-3B



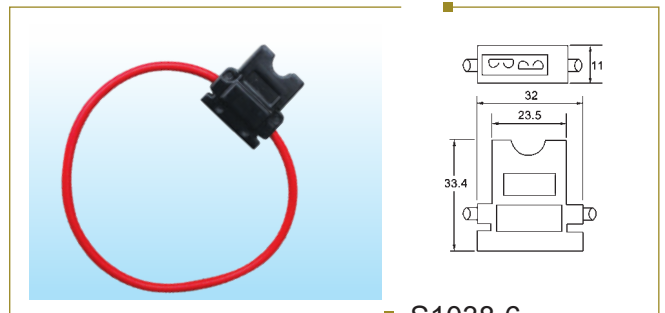
S1038-3C



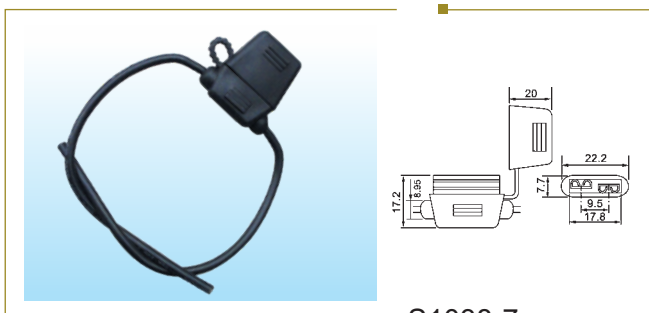
S1038-4



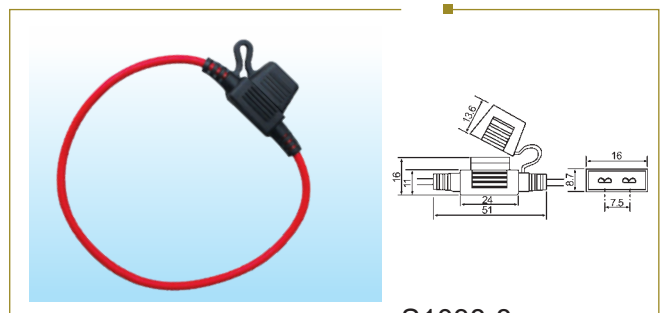
S1038-5



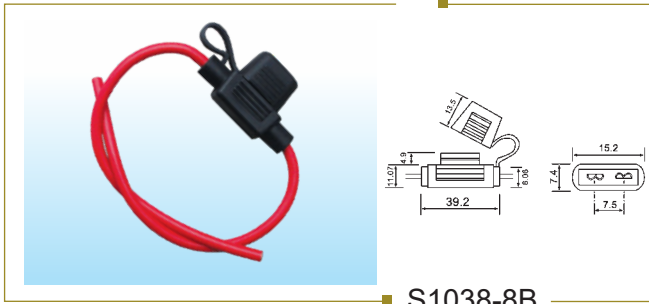
S1038-6



S1038-7



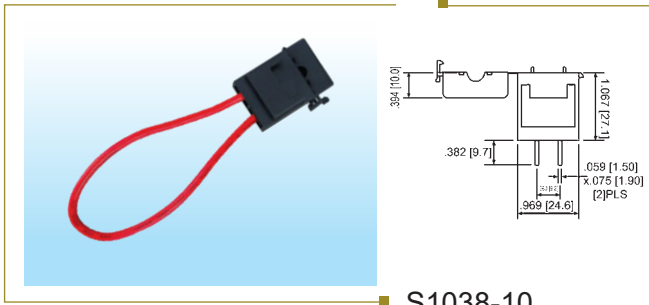
S1038-8



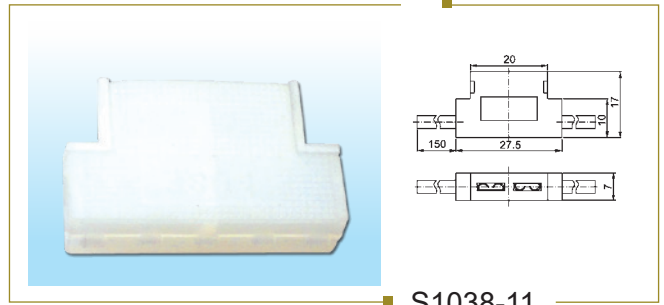
S1038-8B



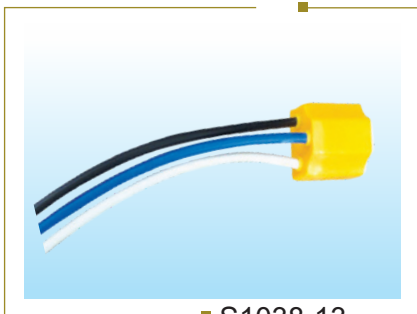
S1038-9



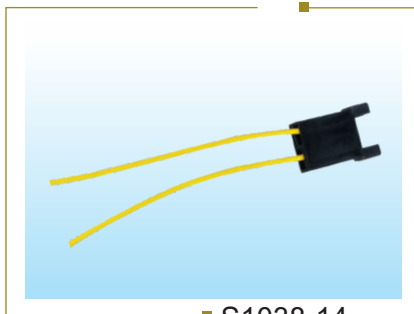
S1038-10



S1038-11



S1038-13



S1038-14



S1038-17



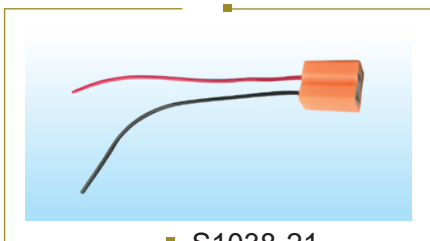
S1038-18



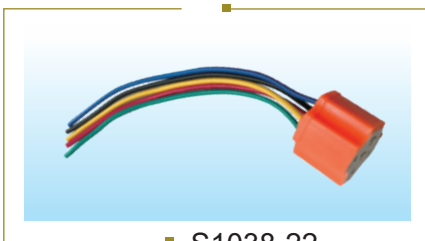
S1038-19



S1038-20



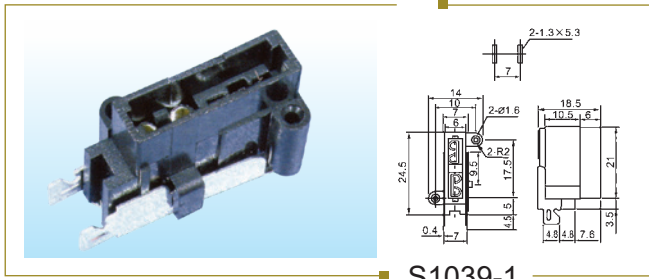
S1038-21



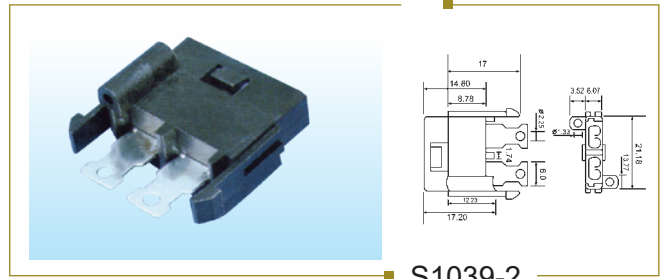
S1038-22



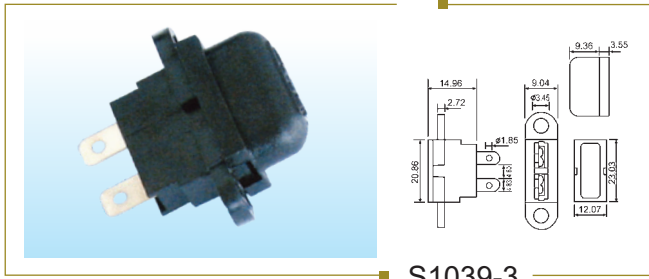
S1038-23



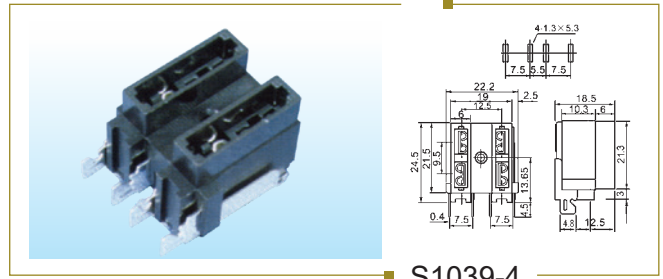
S1039-1



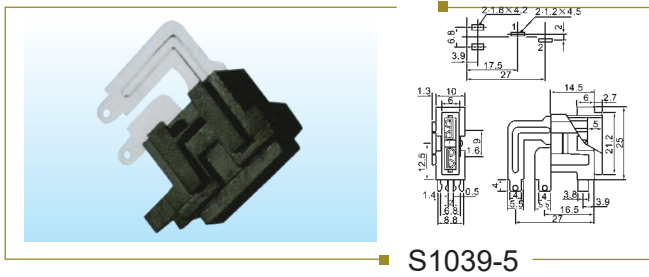
S1039-2



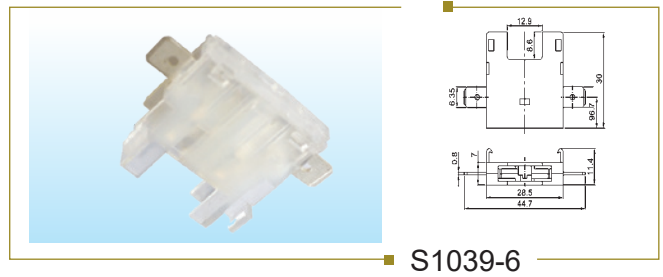
S1039-3



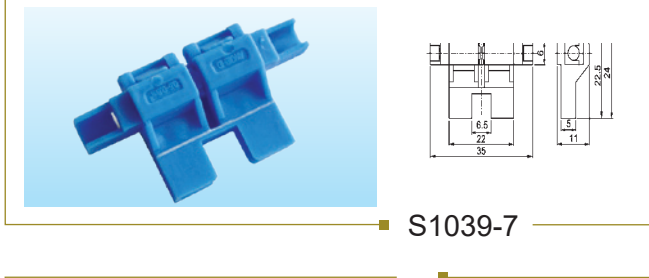
S1039-4



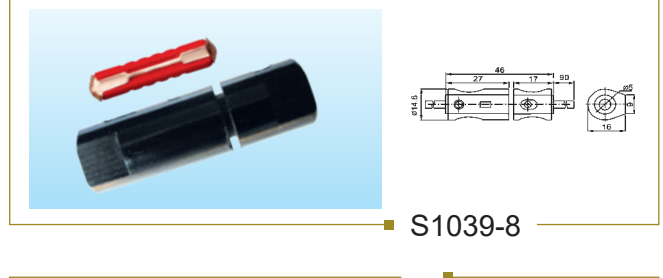
S1039-5



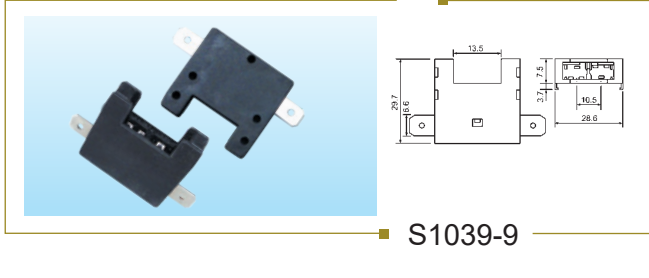
S1039-6



S1039-7



S1039-8



S1039-9



S1039-9B



S1039-9C



■ S1039-10



■ S1039-11



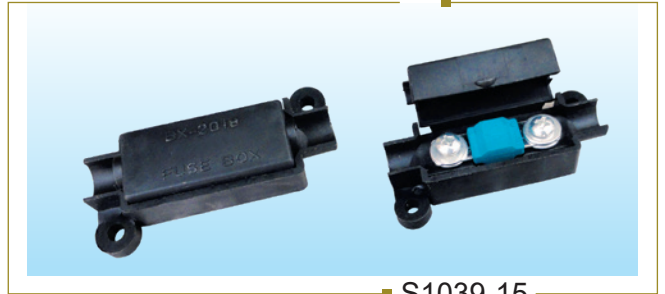
■ S1039-12



■ S1039-13



■ S1039-14



■ S1039-15



■ S1039-16



■ S1039-17

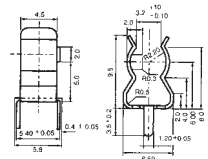
AUTO RELAY



■ S1081-1

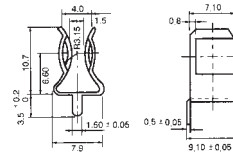
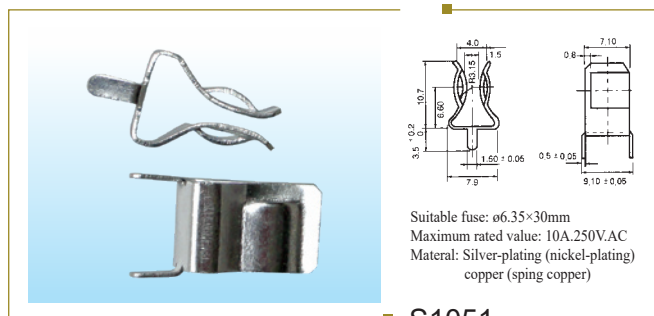


■ S1081-2



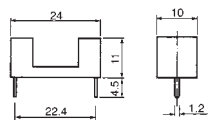
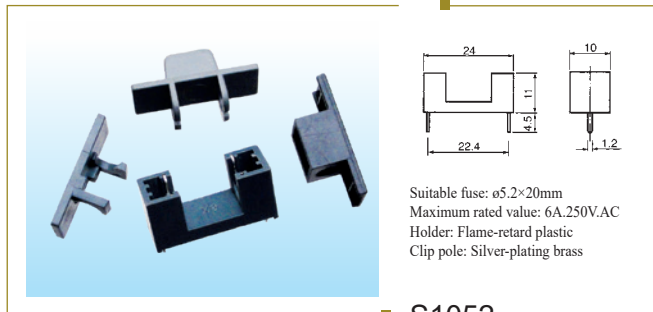
Suitable fuse: $\phi 5.2 \times 20\text{mm}$
 Maximum rated value: 10A, 250V.AC
 Material: Silver-plating (nickel-plating)
 copper (spring copper)

S1050



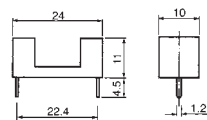
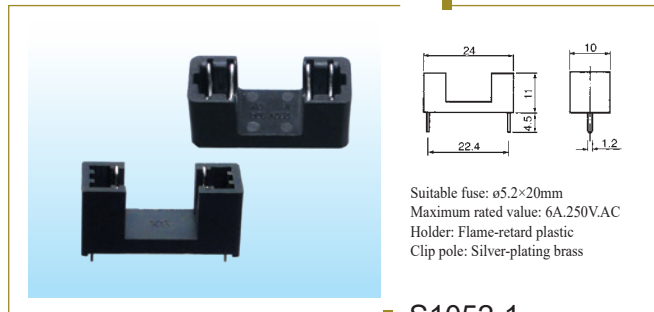
Suitable fuse: $\phi 6.35 \times 30\text{mm}$
 Maximum rated value: 10A, 250V.AC
 Material: Silver-plating (nickel-plating)
 copper (spring copper)

S1051



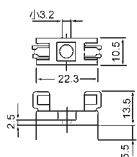
Suitable fuse: $\phi 5.2 \times 20\text{mm}$
 Maximum rated value: 6A, 250V.AC
 Holder: Flame-retard plastic
 Clip pole: Silver-plating brass

S1052



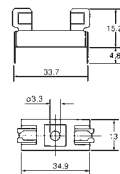
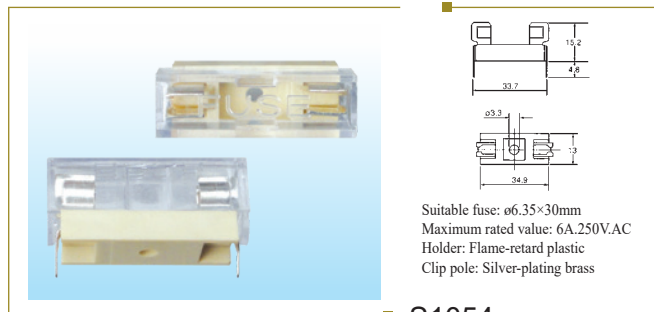
Suitable fuse: $\phi 5.2 \times 20\text{mm}$
 Maximum rated value: 6A, 250V.AC
 Holder: Flame-retard plastic
 Clip pole: Silver-plating brass

S1052-1



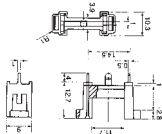
Suitable fuse: $\phi 5.25 \times 20\text{mm}$
 Maximum rated value: 6A, 250V.AC
 Holder: Flame-retard plastic
 Clip pole: Silver-plating brass

S1053



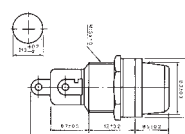
Suitable fuse: $\phi 6.35 \times 30\text{mm}$
 Maximum rated value: 6A, 250V.AC
 Holder: Flame-retard plastic
 Clip pole: Silver-plating brass

S1054



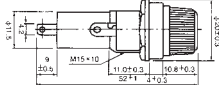
Suitable fuse: $\phi 5.2 \times 20\text{mm}$
 Maximum rated value: 6A, 250V.AC
 Holder: Flame-retard plastic
 Clip pole: Silver-plating brass

S1055



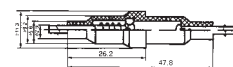
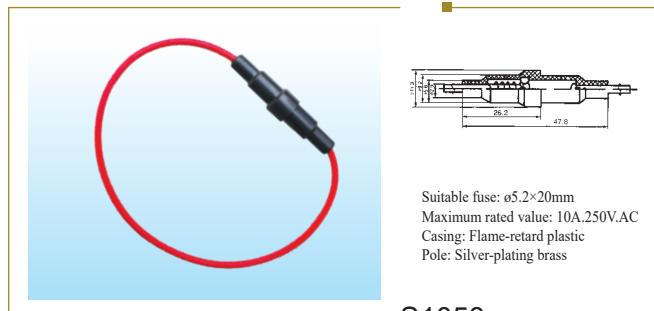
Suitable fuse: $\phi 5.2 \times 20\text{mm}$
 Maximum rated value: 30A, 250V.AC
 Casing: Bakelite
 Pole: Silver-plating brass

S1056



Suitable fuse: $\phi 6.35 \times 30\text{mm}$
 Maximum rated value: 30A, 250V.AC
 Casing: Bakelite
 Pole: Silver-plating brass

S1057




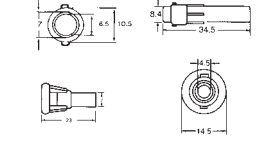
Suitable fuse: $\phi 5.2 \times 20\text{mm}$
 Maximum rated value: 10A, 250V.AC
 Casing: Flame-retard plastic
 Pole: Silver-plating brass

S1058




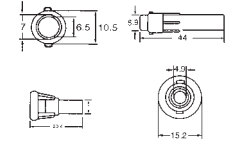

Suitable fuse: $\phi 6.35 \times 31.8\text{mm}$
 Maximum rated value: 10A.250V.AC
 Casing: Black thermoplastic
 Pole: Silver-plating brass

S1059


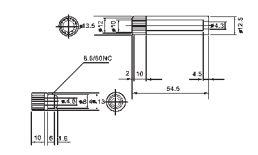
Suitable fuse: $\phi 5.2 \times 20\text{mm}$
 Maximum rated value: 6A.250V.AC
 Casing: White thermoplastic
 Pole: Nickel-plating brass

S1060

Suitable fuse: $\phi 6.35 \times 30\text{mm}$
 Maximum rated value: 10A.250V.AC
 Casing: Flame-retard plastic
 Pole: Silver-plating brass

S1061

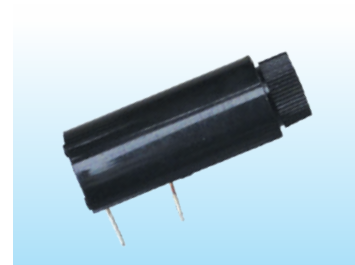
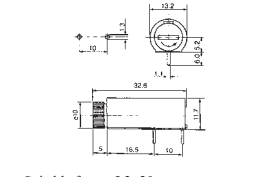
Suitable fuse: $\phi 6.35 \times 31.8\text{mm}$
 Maximum rated value: 10A.250V.AC
 Casing: Black thermoplastic (bakelite)
 Pole: Silver-plating brass

S1062




Suitable fuse: $\phi 5.2 \times 20\text{mm}$
 Maximum rated value: 10A.250V.AC
 Holder: High temperature resisting
 Flame-retard plastic
 Pole: Silver-plating brass

S1068

Suitable fuse: $\phi 5.2 \times 20\text{mm}$
 Maximum rated value: 10A.250V.AC
 Holder: High temperature resisting
 Flame-retard plastic
 Pole: Silver-plating brass

S1069





S1075



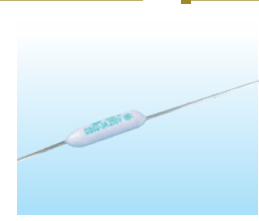

S1076

TEMPERATURE LIMIT FUSE


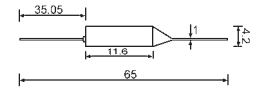
限温保险丝



S1042-1



S1042-2

S1042-3

玻璃保险丝管 (大电流快断)



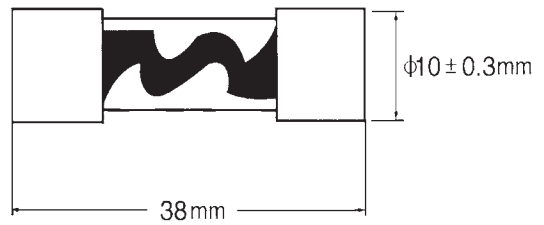
S1030



S1031



S1032



电气特性 Electrical Characteristics

额定 RATING	熔断时间 BLOWING TIME
110%	4hours min (最快 4 小时)
135%	1hours Max (最慢 1 小时)
200%	10sec Max (最慢 10 秒)

CAR AUDIO TUBE FUSE HOLDER

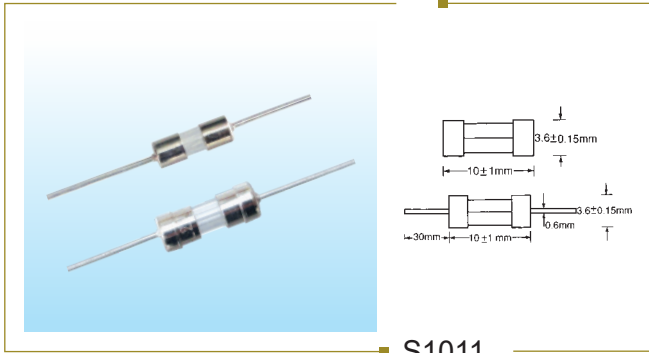
管状音响保险丝座



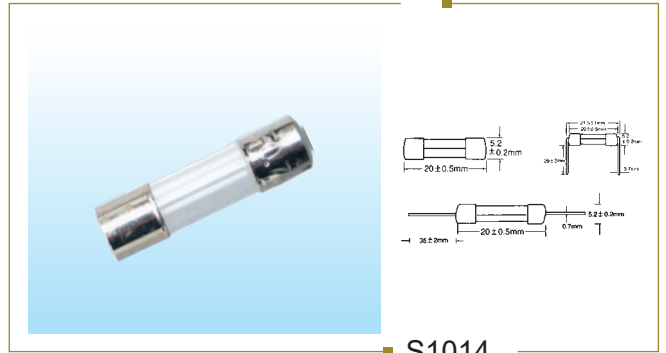
S1032-1



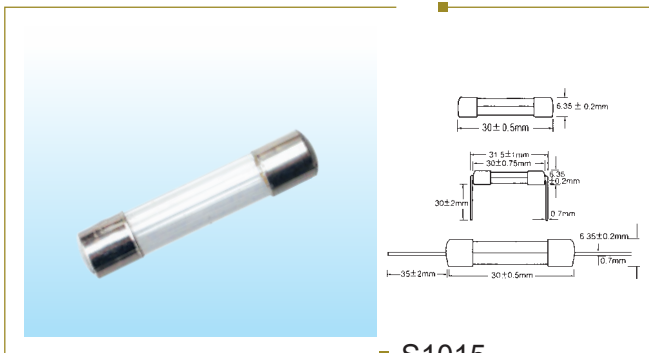
S1032-2



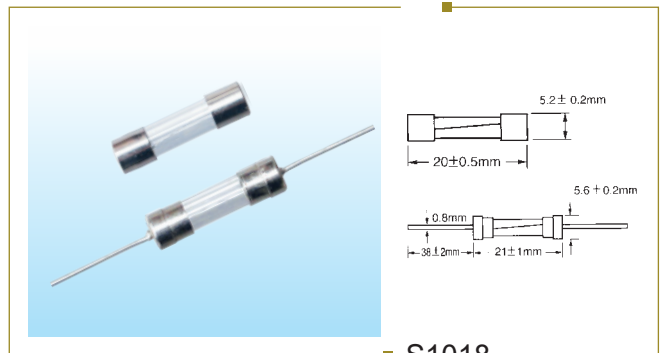
S1011



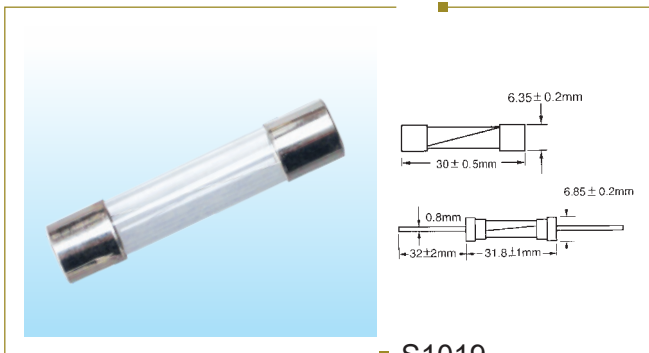
S1014



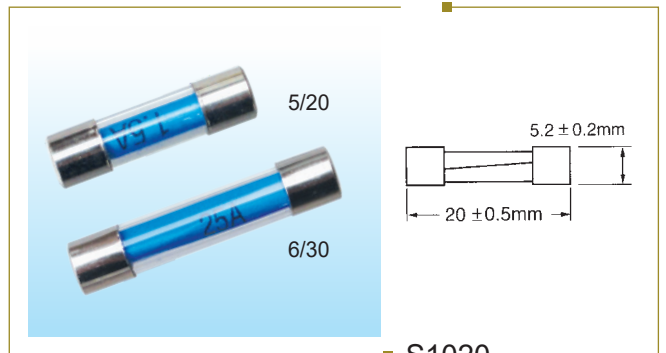
S1015



S1018



S1019



S1020

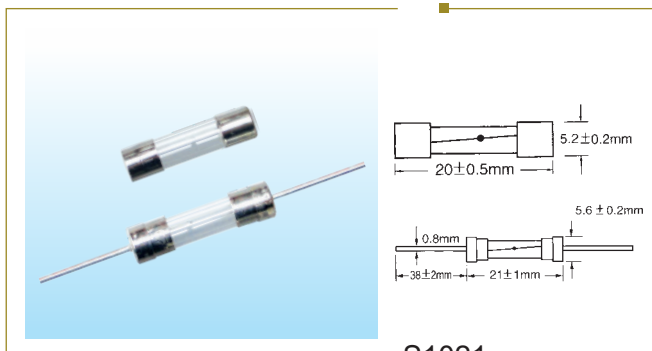
电气特性 Electrical Characteristics

额定 RATING		熔断时间 BLOWING TIME	
		32-100mA	125mA & OVER
2.1In	Max(最慢)	30min	30min
	Min(最快)	10ms	50ms
2.75In	Max(最慢)	500ms	2s
	Min(最快)	3ms	10ms
4In	Max(最慢)	100ms	300ms
	Min(最快)	20ms	20ms

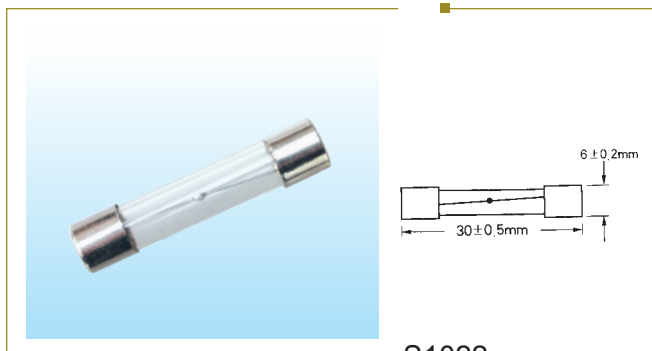
GLASS FUSE TUBE (SLOW-BLOW)



玻璃保险丝管 (慢断)



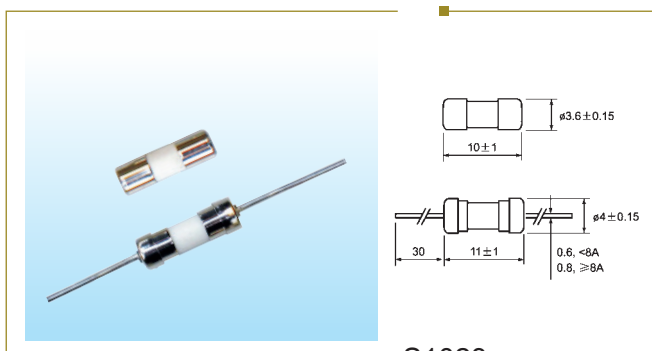
S1021



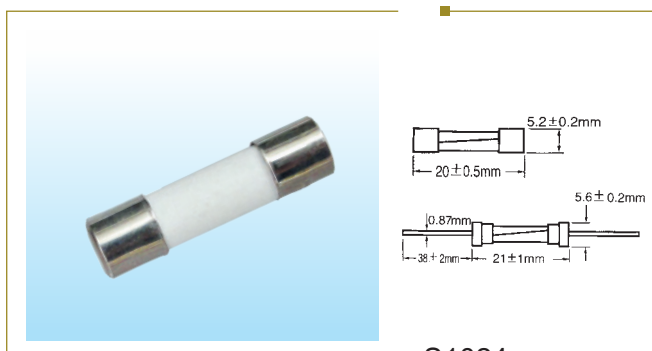
S1022

CERAMIC FUSE TUBE

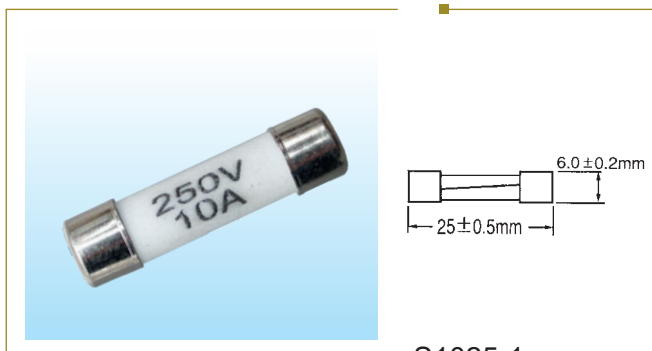
瓷管保险丝管



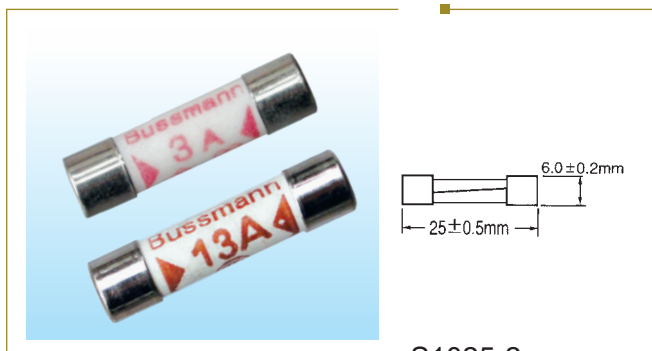
S1023



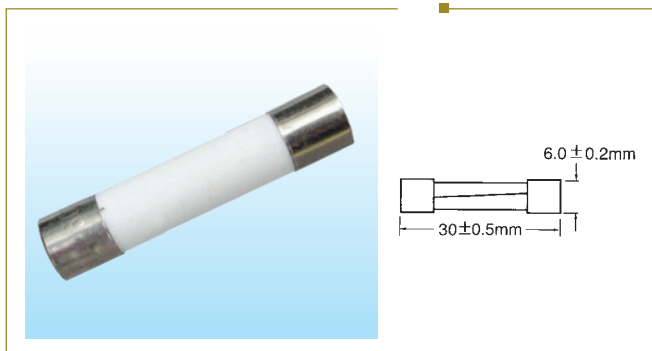
S1024



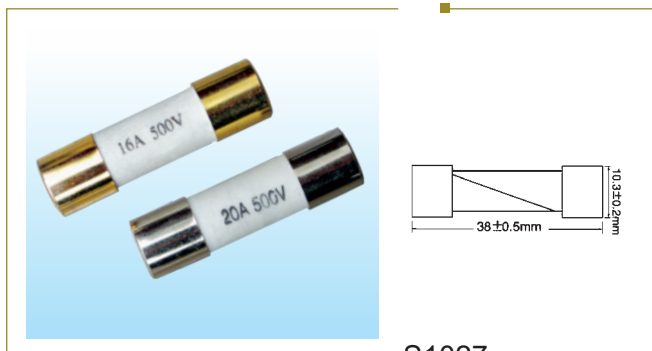
S1025-1



S1025-2



S1026



S1027



CAR CIGARETTER LIGHTER

点烟器



S1040-1



S1040-2

PACKAGE

包装



No.: S1

5×20mm
100PCS/BOX
20000PCS/CTN
29.5×26×27cm

6×30mm
100PCS/BOX
10000PCS/CTN
34.5×31.5×19cm



No.: S2

5×20mm
100PCS/BOX
20000PCS/CTN
34×29.5×29cm

6×30mm
100PCS/BOX
10000PCS/CTN
49×21×31cm



No.: S3

10×38mm
5PCS/BOX
2000PCS/CTN
34×29×28cm
17/18KGS



No.: S4

5PCS/CARD
500CARDS/CTN
40×28×33cm
19/20KGS



No.: S5

10PCS/CARD
500CARDS/CTN
50×34.5×26cm
11/12KGS



No.: S6

200PCS/CTN
41×36×23cm
15/16KGS



No.: S7

50PCS/BOX
10000PCS/CTN
39×33×40cm
17/18KGS



No.: S8

10PCS/CARD
500PCS/CTN
53×42×30cm
9/10KGS



No.: S9

80PCS、120PCS/BOX
100BOX/CTN
50.5×33×33cm
17/18KGS



No.: S10

10PCS/BOX
10000PCS/CTN
40×28×33.5cm
15/16KGS



No.: S11

10PCS/CARD
1000CARDS/CTN
64×50×38cm
15/16KGS



No.: S12

10PCS/CARD
1000CARDS/CTN
53×42×30cm
11/12KGS



No.: S13

5PCS/CARD
1000CARDS/CTN
50×34.5×26cm
11/12KGS



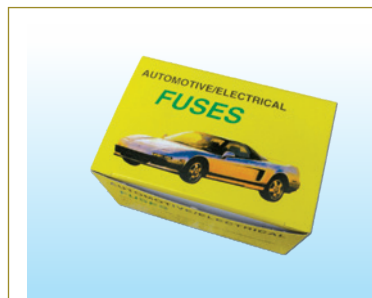
No.: S14

20PCS/CARD
500CARDS/CTN
53×42×30cm
11/12KGS



No.: S15

20PCS/CARD
5CARDS/BOX
10000PCS/CTN
40×28×33cm
11/12KGS



No.: S16

100PCS/BOX
10000PCS/CTN
40.5×35×25cm
13/14KGS



AUTOMOTIVE ELECTRICAL FUSES & ACCESSORIES
FUSE PROFESSIONAL MANUFACTURER

地址(Add): 常州武进区牛塘镇高家工业园
Gaojia industrial park, Niutang Town,
Wujin, ChangZhou, JiangSu, China

电话(Tel): 0519-86393654 / 86399595

传真(Fax): 0519-86398237

E-mail: fuse@shen-xiong.com

Http: //www.shenxiongfuse.com/