

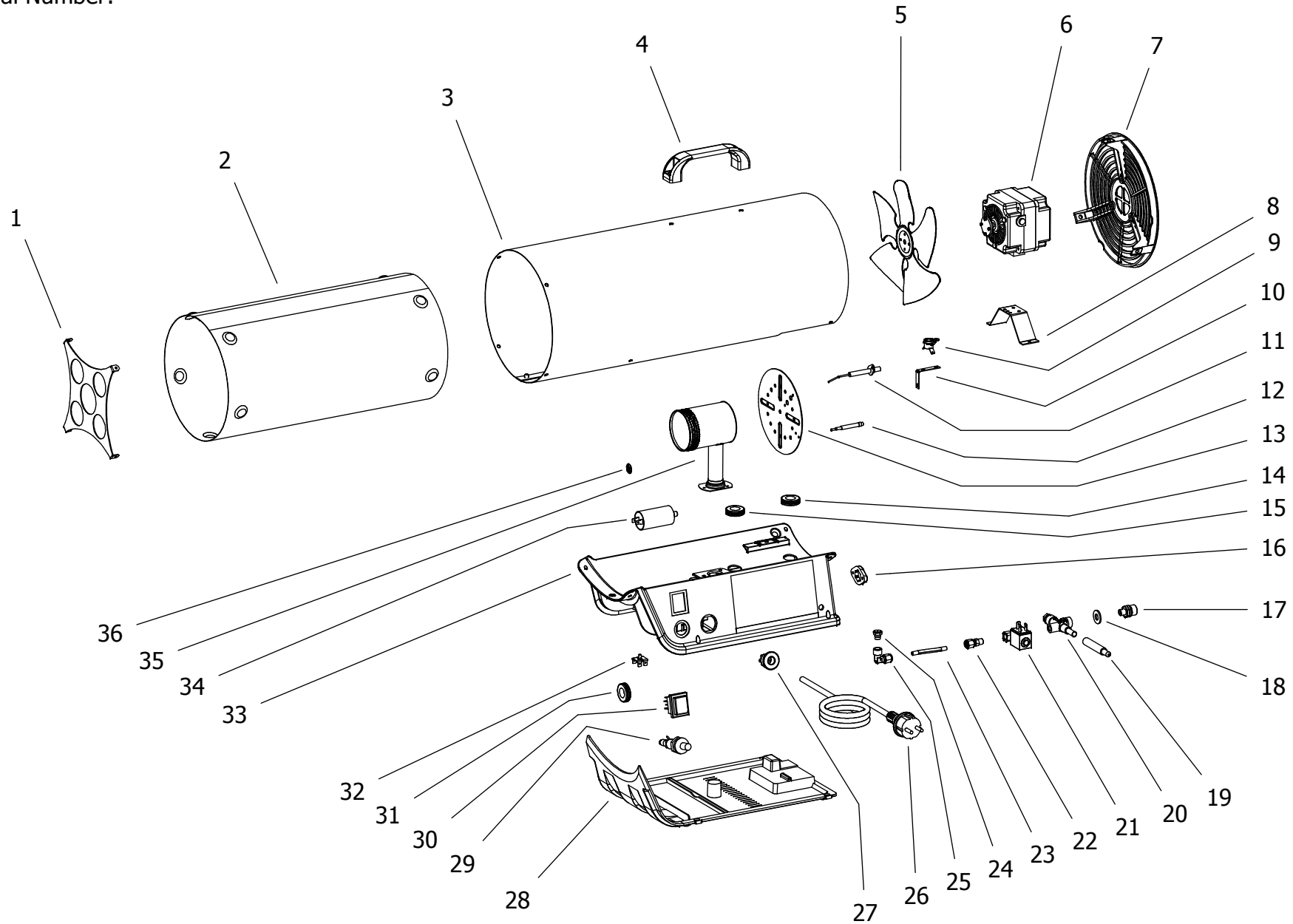
MODEL BLP 33 kW

UNIT 1

ILLUSTRATED PARTS BREAKDOWN

From Serial Number:

Rev. Emiss. - May 2011



MODEL BLP 33 kW

UNIT 2

PARTS LIST

Pos.	Code NR	Description	Rev. Emiss. - May 2011
1	4160.764	OUTLET GRID	
2	4161.373	COMBUSTION CHAMBER	
3	4162.890	COVER	
4	4162.893	PLASTIC HANDLE	
5	4161.175	FAN	
6	4160.045	ELECTRIC MOTOR	
7	4161.863	PLASTIC INLET GRID	
8	4161.177	ELECTRIC MOTOR BRACKET	
9	4160.636	SAFETY THERMOSTAT	
10	4160.708	SUPPORT FOR THERMOSTAT	
11	4160.731	IGNITION ELECTRICAL FOLDER	
12	4162.654	INTERRUPTED THERMOCOUPLE	
13	4160.726	PLATE BURNER	
14	4160.646	GROMMET	
15	4160.646	GROMMET	
16	4161.854	BLOCK FOR NOZZLE	
17	4160.048	GAS INLET NOZZLE	
18	4160.283	WASHER	
19	4162.885	VALVE ROD	
20	4160.653	SAFETY VALVE	
21	4160.562	ELECTROVALVE	
22	4160.623	NIPPLES REDUCER	
23	4162.886	COPPER TUBE	
24	4162.887	GAS NOZZLE	
25	4160.621	ELBOW	
26	4160.539	ELECTRIC CABLE	
27	4160.635	KEEPER WIRE	
28	4162.883	LOWER PLASTIC BASE	
29	4162.655	PIEZO IGNITOR	
30	4160.637	SWITCH	
31	4160.646	GROMMET	
32	4160.639	RIVET POP	
33	4162.882	HIGHER PLASTIC BASE	
34	4161.830	CAPACITOR 2 μ F	
35	4162.889	GAS BURNER	
36	4160.627	ELASTIC WASHER	

MODEL BLP 33 kW

UNIT 3

RECOMMENDED SPARE PARTS

Pos.	Code NR	Description	Rev. Emiss. - May 2011
6	4160.045	ELECTRIC MOTOR	
9	4160.636	SAFETY THERMOSTAT	
11	4160.731	IGNITION ELECTRICAL FOLDER	
12	4162.654	INTERRUPTED THERMOCOUPLE	
20	4160.653	SAFETY VALVE	
21	4160.562	ELECTROVALVE	
29	4162.655	PIEZO IGNITOR	
36	4160.627	ELASTIC WASHER	