

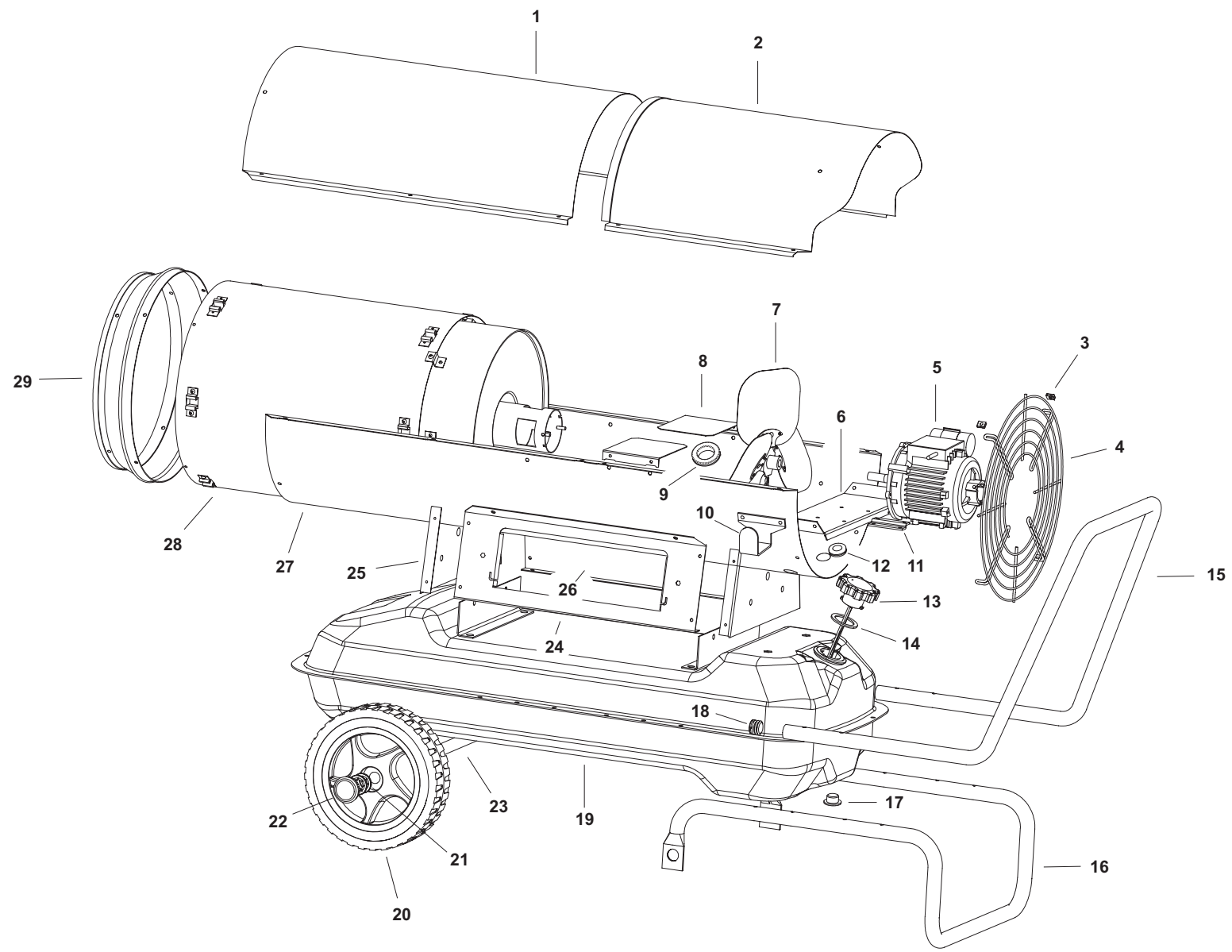
# MODEL B230 E

UNIT 1

ILLUSTRATED PARTS BREAKDOWN

From Serial Number: 30204517

Rev. B - May 2011



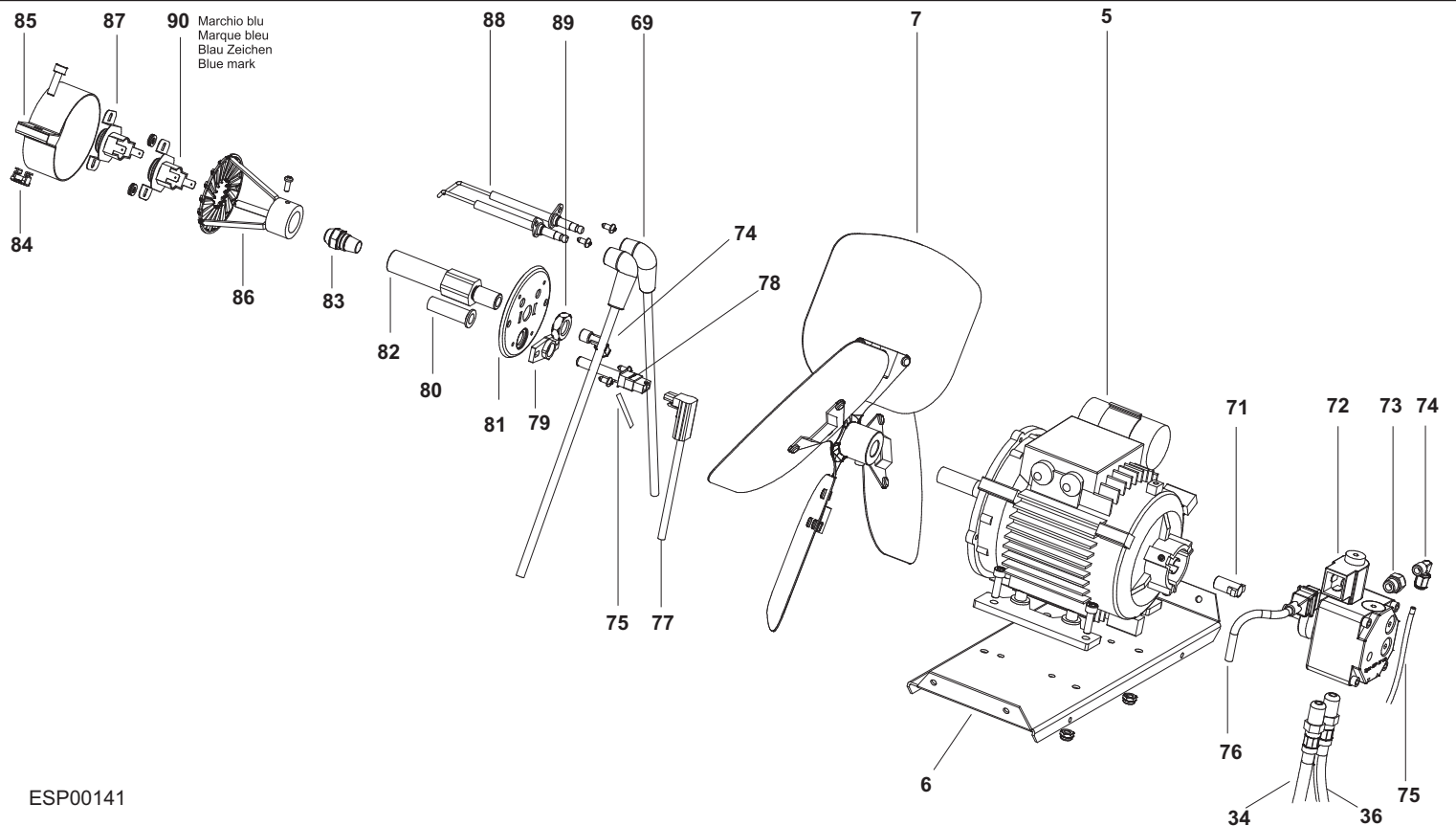
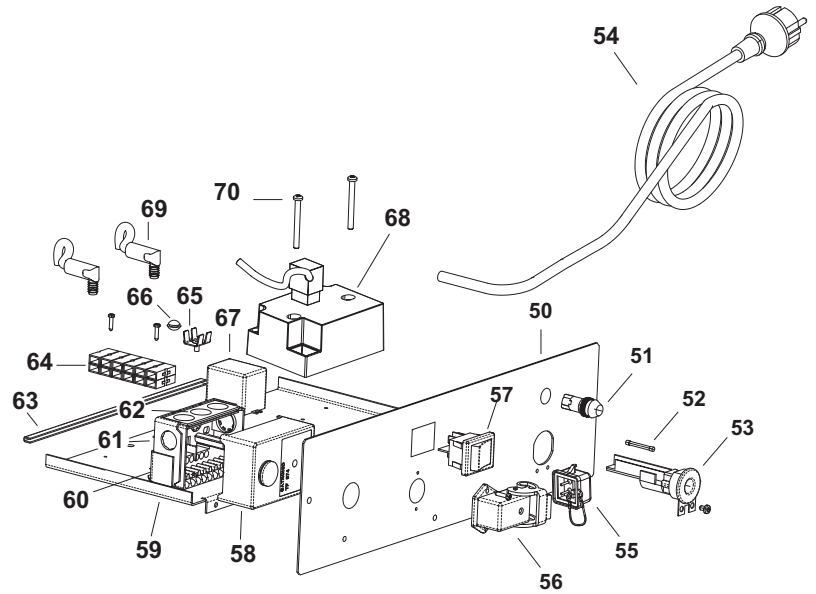
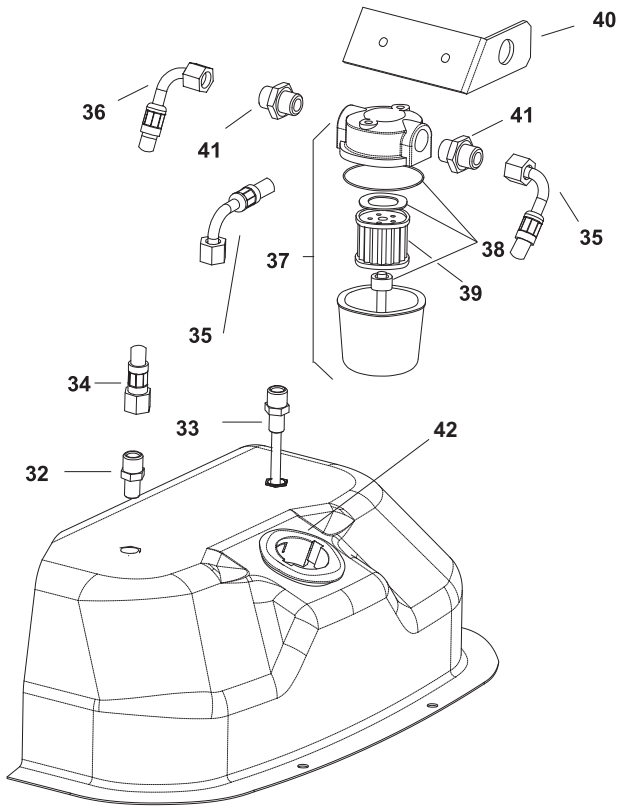
# MODEL B230 E

UNIT 2

ILLUSTRATED PARTS BREAKDOWN

From Serial Number: 30204517

Rev. B - May 2011



ESP00141

# MODEL B230 E

UNIT 3

PARTS LIST

POS.	Code NR	Description	Rev. B - May 2011
1	4111.623	UPPER BODY	
2	4032.548	UPPER BODY MOBILE	
3	4111.241	ELASTIC PLATE	
4	4032.557	INLET GRILLE	
5	4032.372	MOTOR 2P 230V/50 IP44	
6	4032.555	MOTOR FLANGE SUPPORT	
7	4033.030	FAN	
8	4032.554	AIR FLAP	
9	4111.056	PROTECTION CABLE	
10	4032.536	POWER CORD HOOK	
11	4032.519	MOTOR FLANGE	
12	4160.646	PROTECTION CABLE	
13	4032.475	FUEL LEVEL PROBE	
14	4032.537	FUEL LEVEL PROBE GASKET	
15	4032.568	HANDLE FRAME	
16	4032.564	WHEEL FRAME	
17	4100.632	DRAIN PLUG	
18	4111.057	PLUG	
19	4033.091	FUEL TANK	
20	4032.094	WHEEL	
21	4111.072	WHEEL PLUG	
22	4111.480	WHEEL HOLDER	
23	4032.566	AXLE	
24	4032.558	ELECTR. COMPONENTS DRAWER PANEL	
25	4033.095	BASE	
26	4032.560	SIDE PANEL	
27	4032.378	LOWER BODY	
28	4033.110	COMBUSTION CHAMBER	
29	4032.544	OUTLET CONE	
32	4031.068	NIPPLES	
33	4031.067	PIPE CONNECTION 1/4"	
34	4031.062	FUEL PIPE PUMP-TANK	
35	4031.063	FUEL PIPE TANK-FILTER	
36	4031.061	FUEL PIPE FILTER-PUMP	
37	4033.090	FILTER WITH CARTIDGE 3/8"	
38	4111.116	OR KIT FILTER	
39	4031.494	FILTER CARTIDGE	
40	4032.437	FILTER SUPPORT	
41	4031.064	DOUBLE SCREW	
42	4032.472	NECK PLASTIC FILLER	
50	4032.446	ELECTRIC. COMPONENTS DRAWER	
51	4117.058	PILOT LAMP	
52	4111.040	FUSE (6,3x32) 10 A	
53	4111.038	CABLE FASTENER	
54	4111.153	POWER CORD	
55	4162.467	THERMOSTAT PLUG	
56	4111.119	PLATE PLUG	
57	4160.637	SWITCH 16A	
58	4110.968	CONTROL BOX SATRONIC	
59	4032.448	ELECTR. COMPONENTS BASE	
60	4032.499	CONTROL BOX SUPPORT	
61	4110.969	CONTROL BOX BASE	
62	4110.967	PG PLATE	
63	4110.155	EDGE LINER	
64	4111.033	TERMINAL BOARD	

ESP00141

# MODEL B230 E

UNIT 4

PARTS LIST

POS.	Code NR	Description	Rev. B - May 2011
65	4160.639	POP RIVET WITH TERMIN. 4 WAY	
66	4032.450	PLASTIC PIN	
67	4111.032	RELAY FINDER	
68	4111.890	KIT TRANSFORMER	
69	4110.490	H.T. CABLE	
70	4160.421	SCREW	
71	4111.081	COUPLING SIMEL	
72	4111.042	PUMP DANFOSS	
73	4161.501	CONN. STRAIGHT 1/8"	
74	4161.140	ELBOW 1/8"	
75	4111.049	OIL SUPPLY PIPE	
76	4033.087	POWER CORD PUMP	
77	4110.970	PHOTOCELL CONN.CABLE	
78	4110.966	PHOTOCELL	
79	4111.076	PHOTOCELL BLOCK BRACKET	
80	4032.406	PHOTOCELL SUPPORT	
81	4032.574	BURNER FLANGE	
82	4032.403	NOZZLE SUPPORT	
83	4031.027	NOZZLE 1,25 GPH 80° H	
84	4032.454	M6 NUT	
85	4032.545	AIR REGULATION FLAP	
86	4033.071	TURBO DISC	
87	4031.045	FAN THERMOSTAT	
88	4033.057	ELECTRODE	
89	4032.407	NUT M14	
90	4031.047	LIMIT THERMOSTAT	

## RECOMMENDED SPARE PARTS

POS.	Code NR	Description	Rev. B - May 2011
5	4032.372	MOTOR 2P 230V/50 IP44	
38	4111.116	OR KIT FILTER	
39	4031.494	FILTER CARTRIDGE	
52	4111.040	FUSE (6,3x32) 10 A	
55	4162.467	THERMOSTAT PLUG	
56	4111.119	PLATE PLUG	
58	4110.968	CONTROL BOX SATRONIC	
67	4111.032	RELAY FINDER	
68	4111.890	KIT TRANSFORMER	
69	4110.490	H.T. CABLE	
71	4111.081	COUPLING SIMEL	
72	4111.042	PUMP DANFOSS	
76	4033.087	POWER CORD PUMP	
77	4110.970	PHOTOCELL CONN.CABLE	
78	4110.966	PHOTOCELL	
83	4031.027	NOZZLE 1,25 GPH 80° H	
87	4031.045	FAN THERMOSTAT	
88	4033.057	ELECTRODE	
90	4031.047	LIMIT THERMOSTAT	

ESP00141