

Receiver
From

 Society
 Reference
 Address
 Phone
 Fax
 E-mail

Item n° :

60114691

Model :

FEKA VS 450 MA 230/50 10MT H07RNF SCHUKO

Pump data

Pressure rating :

 Min. fluid temperature : 0
 Max. fluid temperature : 50 °C
 Max. Ambient temperature : 40 °C

Requested data

 Flow : 0 m³/h
 Head : 0 m
 Fluid : Water, pure
 Fluid Temperature : 20 °C
 Density : 998.3 kg/m³
 Kinematic viscosity : 1.005 mm²/s
 Vapor pressure : 100 kPa

Hydraulic data (duty point)

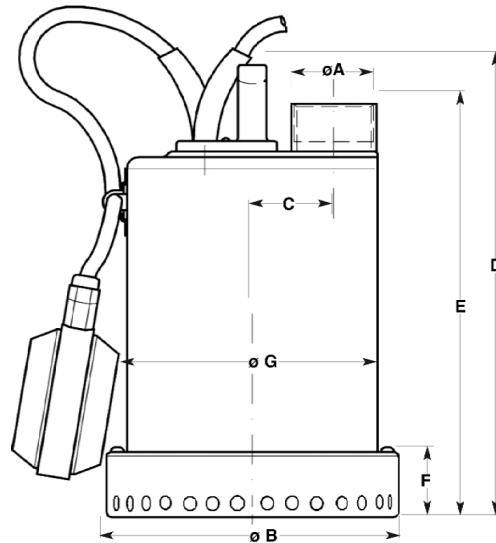
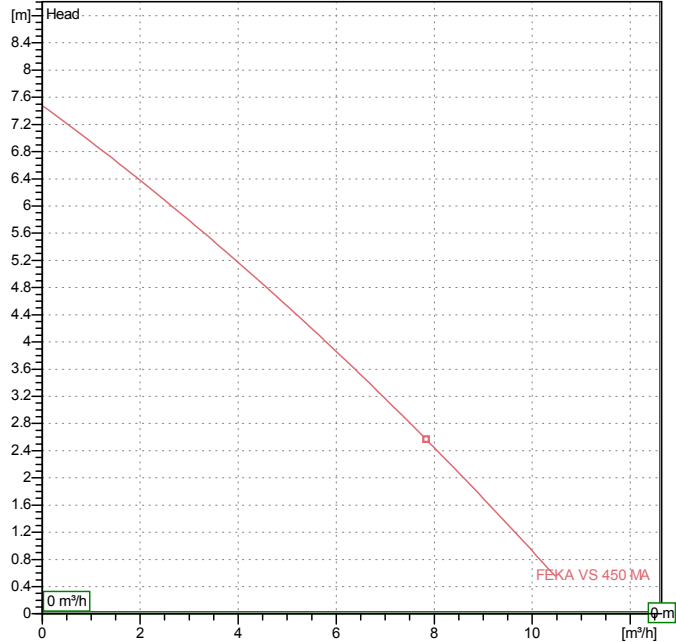
 Flow :
 Head :

Materials

 Pump body : Stainless Steel (AISI 304)
 Support : Stainless Steel (AISI 304)
 Impeller : Stainless Steel (AISI 304)
 Mechanical seal pump side : _Silicon carbide/Alumina
 Mechanical seal motor side : _Ring form
 Shaft : AISI 416
 _O ring : NBR

Motor data

 Motor brand : DAB
 Nominal power P2 : 0.45 kW
 Rated voltage : 1~ 220 - 230 V 50 Hz
 Nominal current : 2.8 A
 Number of poles : 2
 Rated speed : 2800 rpm
 Degree of protection : IP 68

Curve tolerance according to ISO 9906

Weight : On demand kg

Dimensions in mm

Dimension	Value				
A	1 " 1/4				
B	154				
C	43				
D	264				
E	243.5				
F	65				
G	132				

Pump connection

 Suction side : /
 Discharge side : 1 " 1/4 / --



PERFORMANCE CURVES

24/03/2016

Page 2 / 3

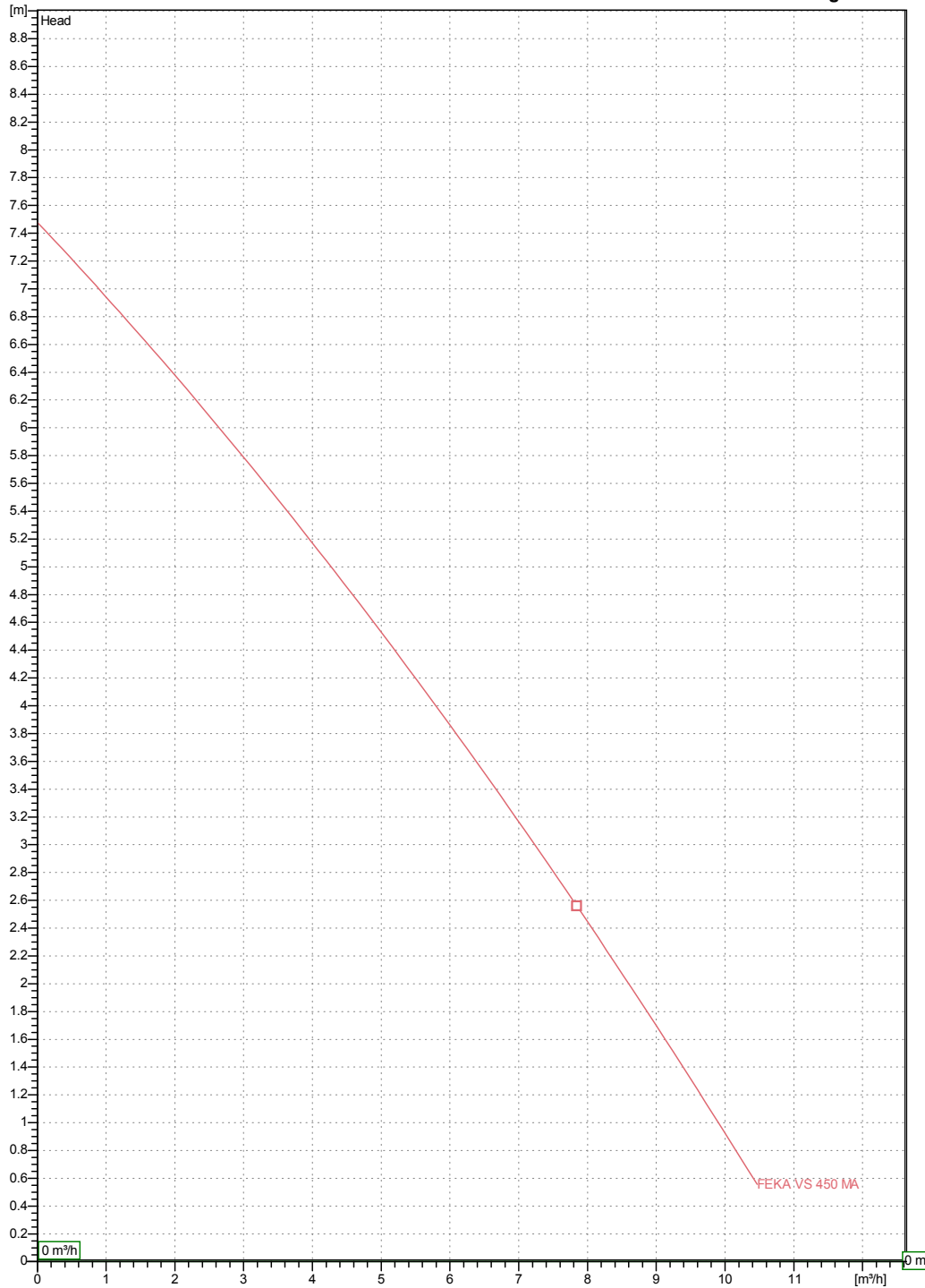
Receiver

From

Society
Reference
Address
Phone
Fax
E-mail

FEKA VS 450 MA 230/50 10MT H07RNF SCHUKO

Curve tolerance according to ISO 9906



Hydraulic data (duty point)

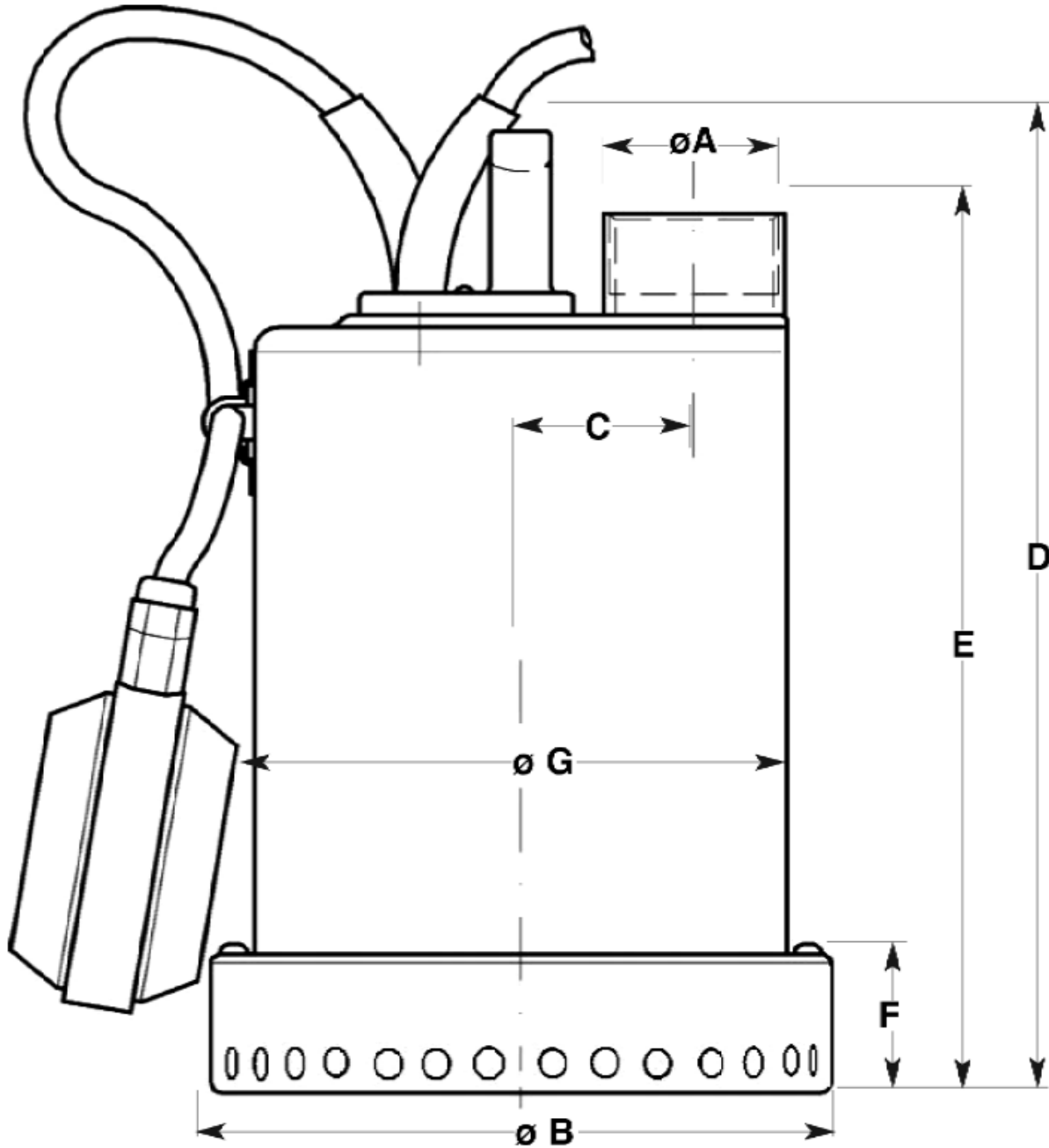
Suction side :	Discharge side : 1 " 1/4 --	Flow : 0 m³/h	Head : 0 m	Rated speed : 2800 rpm
Project	Project ID	Created by	Created on 24/03/2016	

Receiver

From

Society
Reference
Address
Phone
Fax
E-mail

FEKA VS 450 MA 230/50 10MT H07RNF SCHUKO



Dimensions in mm

1	A	1 " 1/4
2	B	154
3	C	43
4	D	264
5	E	243.5
6	F	65
7	G	132

Pump connection

Suction

Discharge
1 " 1/4

Project

Project ID

Created by

Created on

24/03/2016