

**Receiver**
**From**

 Society  
 Reference  
 Address  
 Phone  
 Fax  
 E-mail

**Item n° :**

60152306.

**Model :**

NOVA UP 600 M-A

**Pump data**

Free passage : 10 mm

Pressure rating :

Min. fluid temperature : 0 °C

Max. fluid temperature : 35 °C

Max. Ambient temperature : 40 °C

**Requested data**

Flow : 0 m³/h

Head : 0 m

Fluid : Water, pure

Fluid Temperature : 20 °C

Density : 998.3 kg/m³

Kinematic viscosity : 1.005 mm²/s

Vapor pressure : 100 kPa

**Hydraulic data (duty point)**

Flow :

Head :

**Materials**

Pump body Technopolymer

Impeller Technopolymer

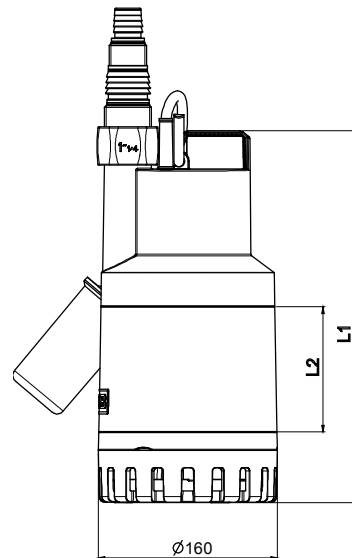
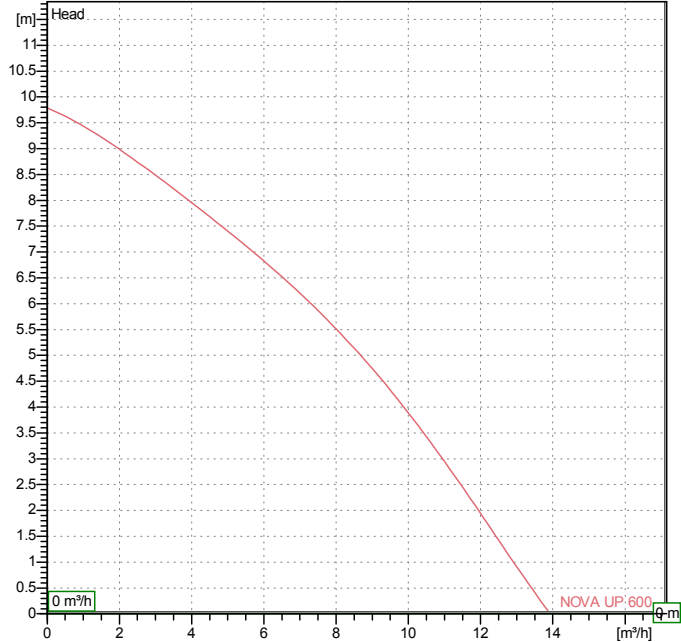
OR ring NBR

Motor top body Stainless Steel AISI 304

Rotor shaft AISI 416 X12 CrS 13 UNI EN 10088-1

V-RING NBR

Suction strainer Technopolymer

**Curve tolerance according to ISO 9906**

**Motor data**
**Weight :** 7.3 kg

Motor brand : DAB

Nominal power P2 : 0.52 kW

Rated speed : 2850 rpm

Rated voltage : 1~ 220-240 V 50 Hz

Nominal current : 3.5 A

Degree of protection : IP 68

**Dimensions in mm**

Dimension	Value				
L1	332				
L2	111.6				

**Pump connection**

 Suction side : /  
 Discharge side : 1" 1/4 G / --



# PERFORMANCE CURVES

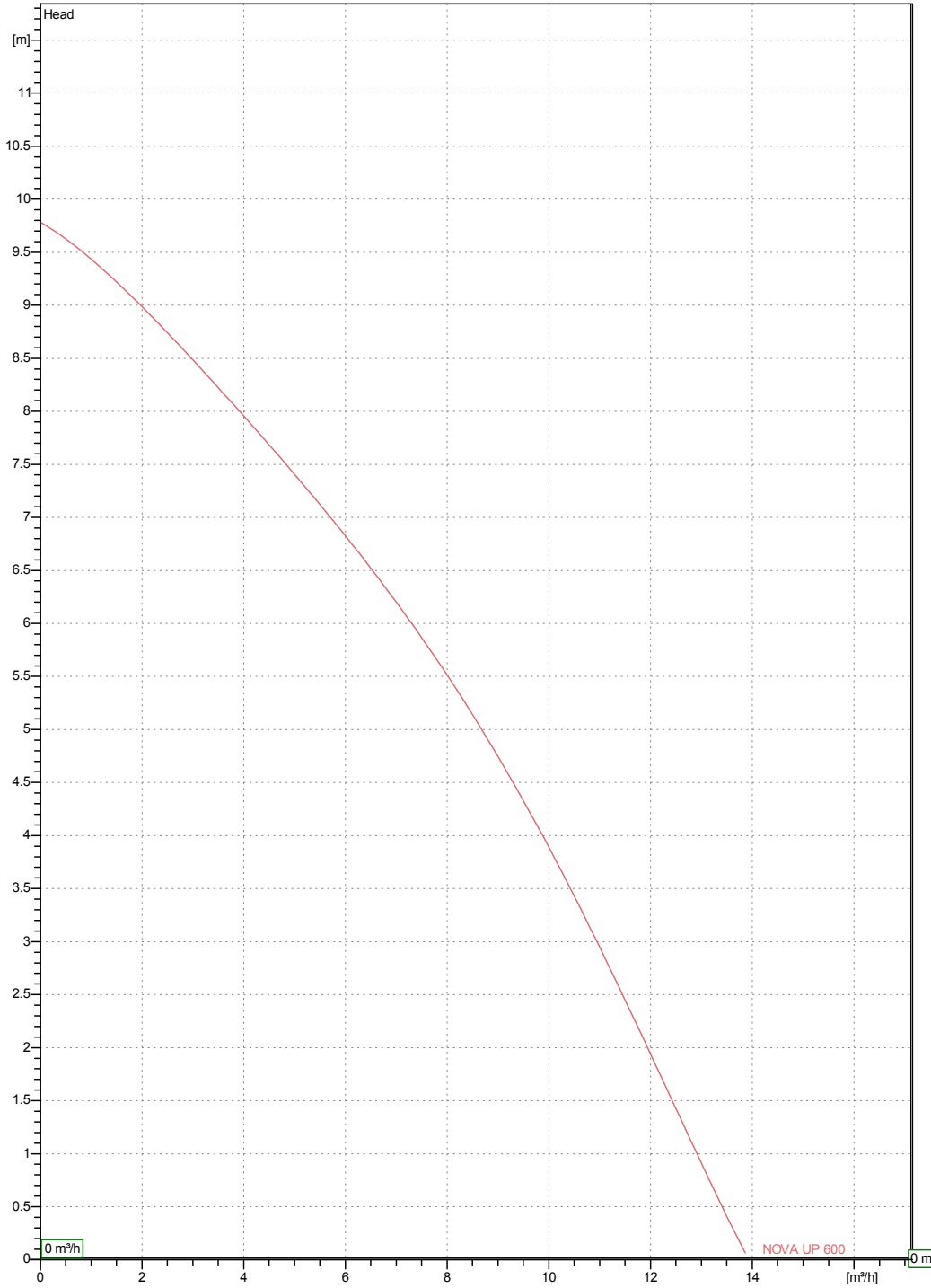
24/03/2016

Page 2 / 3

Society Reference Address Phone Fax E-mail	<b>Receiver</b>	<b>From</b>

## NOVA UP 600 M-A

Curve tolerance according to ISO 9906



Hydraulic data (duty point)

Suction side :	Discharge side : 1 " 1/4 G --	Flow : 0 m³/h	Head : 0 m	Rated speed : 2850 rpm
Project	Project ID	Created by	Created on <b>24/03/2016</b>	



WATER • TECHNOLOGY

# DIMENSIONAL DRAWING

24/03/2016

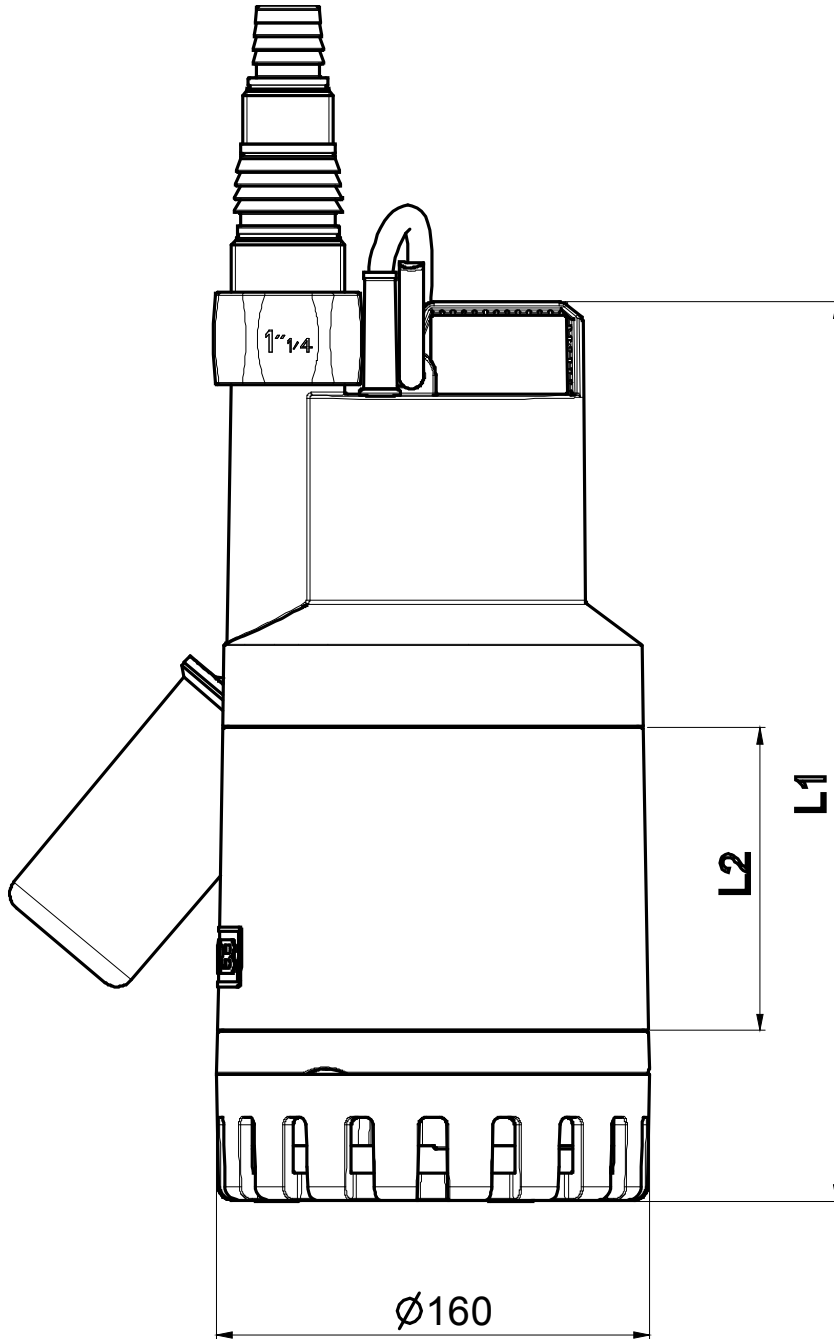
Page 3 / 3

Receiver

From

Society  
Reference  
Address  
Phone  
Fax  
E-mail

## NOVA UP 600 M-A



**Dimensions in mm**

1	L1	332					
2	L2	111.6					

**Pump connection**

Suction

Discharge  
1 " 1/4 G

-

Project

Project ID

Created by

Created on

24/03/2016