

**Receiver**

**From**

Society  
Reference  
Address  
Phone  
Fax  
E-mail

**Item n° :**

60145258

**Model :**

EUROSWIM 100 T

**Pump data**

Pressure rating : 2,5 bar (250 kPa)  
Min. fluid temperature : 0 °C  
Max. fluid temperature : 60 °C  
Max. Ambient temperature : 50 °C

**Requested data**

Flow : 0.00 m³/h  
Head : 0.00 m  
Fluid : Water, pure  
Fluid Temperature : 20 °C  
Density : 998.3 kg/m³  
Kinematic viscosity : 1.005 mm²/s  
Vapor pressure : 100.00 kPa

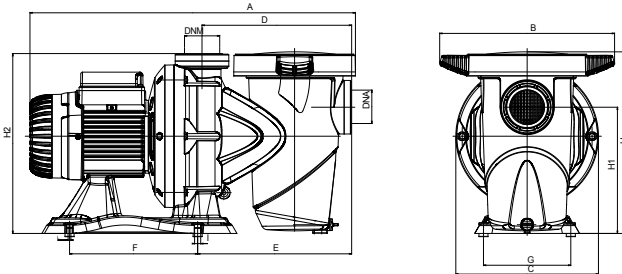
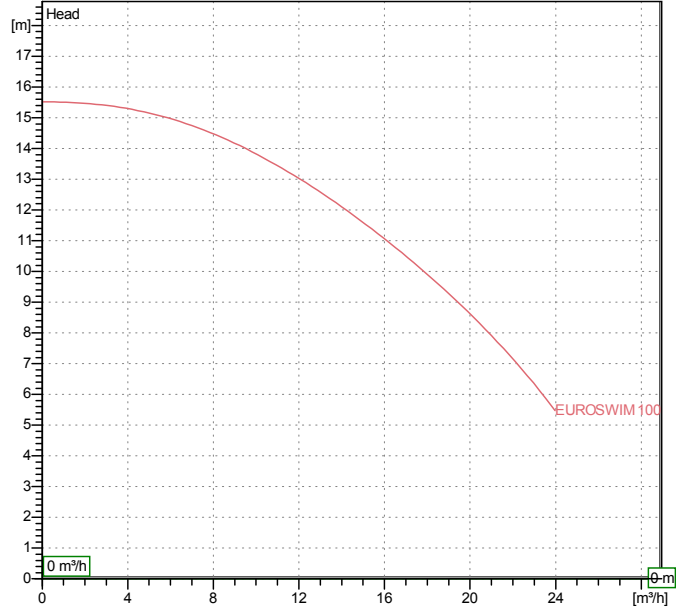
**Hydraulic data (duty point)**

Flow :  
Head :

**Materials**

Pump body	Reinforced technopoly mer
Impeller	Reinforced technopoly mer
Diffuser	Reinforced technopoly mer
Filter	Technopoly mer
Mechanical seal	Carbon/Alumina/NBR/AISI316
Filter cover	Poly carbonate
O-ring	NBR

**Curve tolerance according to ISO 9906**



**Weight :** 13.8 kg

**Motor data**

Motor brand : DAB  
Nominal power P2 : 0.75 kW  
Rated speed : 2900 rpm  
Rated voltage : 3~ 230 V / 400 V 50 Hz  
Nominal current : 4 / 2.4 A  
Degree of protection : IP 55

**Dimensions in mm**

A	575	I	11
B	300	L	6.5
C	245		
D	257		
DNA	G2"		
DNM	G2"		
E	265		
F	220		
G	150		
H	317		
H1	222		
H2	314		

**Pump connection**

Suction side : 2 " G / 2,5 bar (250 kPa)  
Discharge side : 2 " G / 2,5 bar (250 kPa)



# PERFORMANCE CURVES

24/03/2016

Page 2 / 3

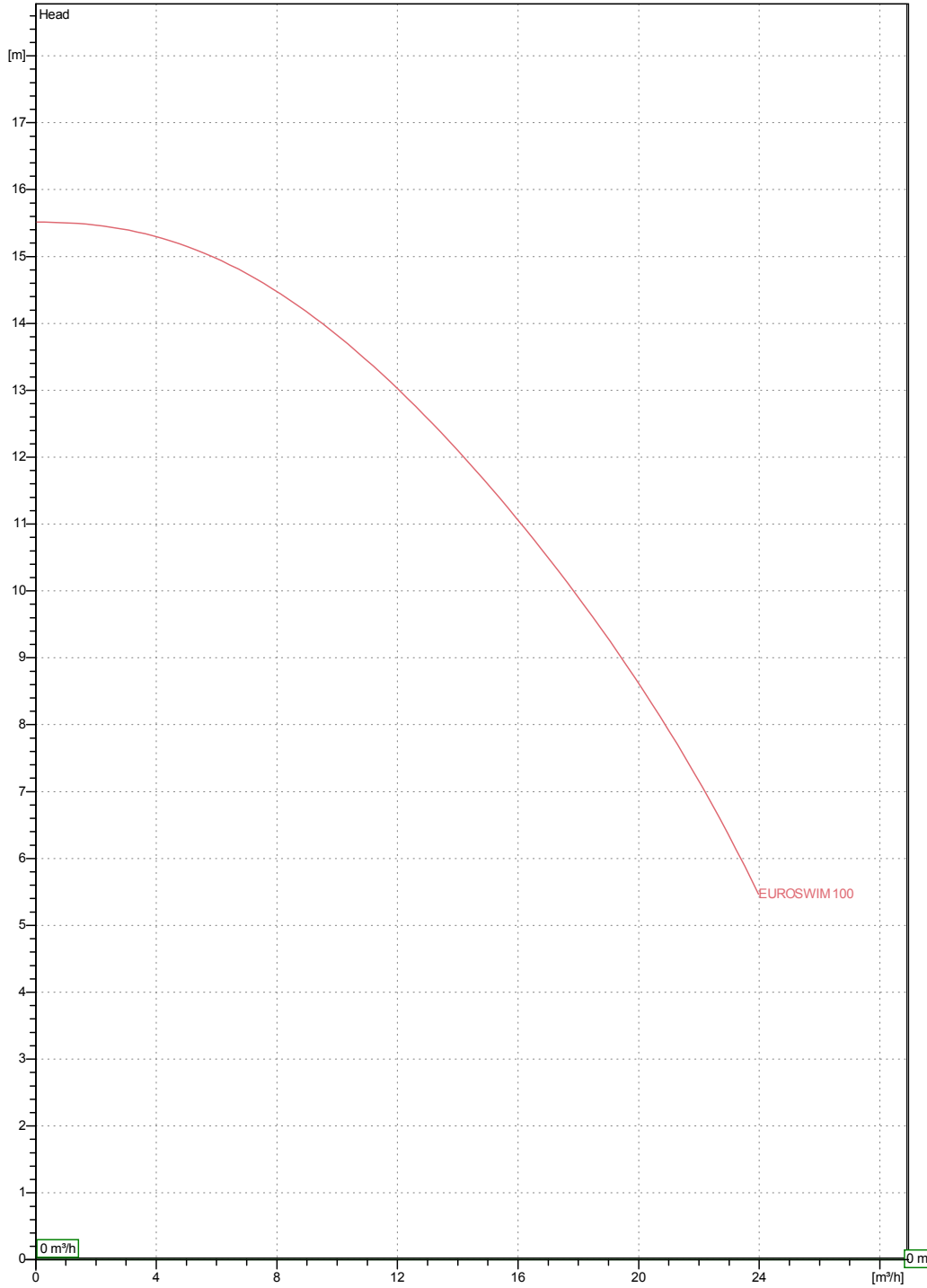
Receiver

From

Society  
Reference  
Address  
Phone  
Fax  
E-mail

## EUROSWIM 100 T

Curve tolerance according to ISO 9906



Hydraulic data (duty point)

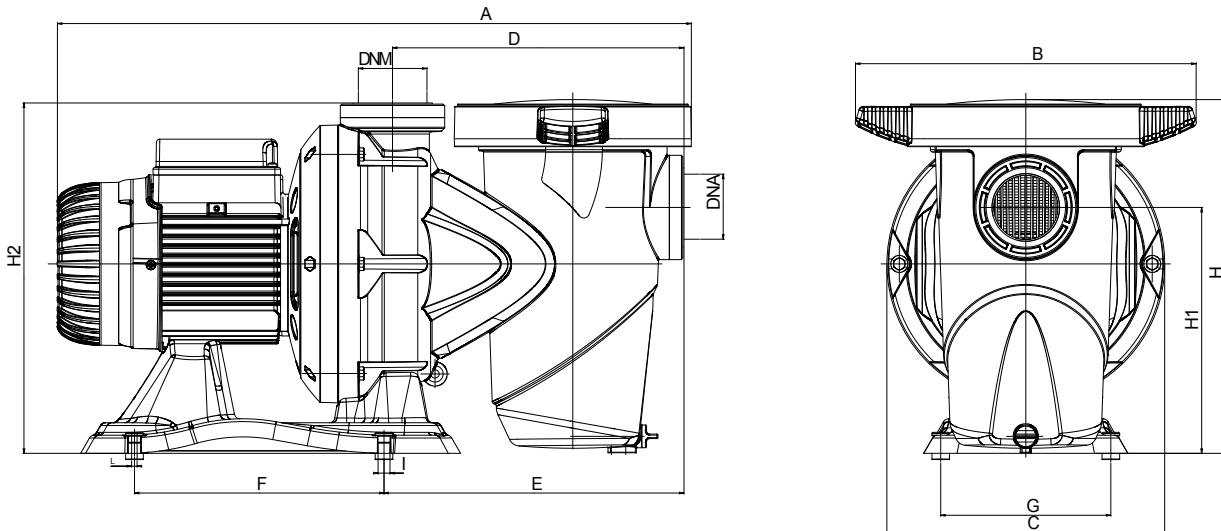
Suction side : 2 " G 2,5 bar (250 kPa)	Discharge side : 2 " G 2,5 bar (250 kPa)	Flow : 0 m³/h	Head : 0 m	Rated speed : 2900 rpm
Project	Project ID	Created by	Created on <b>24/03/2016</b>	

Receiver

From

Society  
Reference  
Address  
Phone  
Fax  
E-mail

**EUROSWIM 100 T**



**Dimensions in mm**

1	A	575	H1	222
2	B	300	H2	314
3	C	245	I	11
4	D	257	L	6.5
5	DNA	G2"		
6	DNM	G2"		
7	E	265		
8	F	220		
9	G	150		
10	H	317		

**Pump connection**

Suction  
2 " G  
2,5 bar (250 kPa)

Discharge  
2 " G  
2,5 bar (250 kPa)

Project

Project ID

Created by

Created on

**24/03/2016**