

**Receiver**
**From**

 Society  
 Reference  
 Address  
 Phone  
 Fax  
 E-mail

**Item n° :**

60118029

**Model :**

EUROSWM 75 M

**Pump data**

 Pressure rating : 2,5 bar (250 kPa)  
 Min. fluid temperature : 0 °C  
 Max. fluid temperature : 60 °C  
 Max. Ambient temperature : 50 °C

**Requested data**

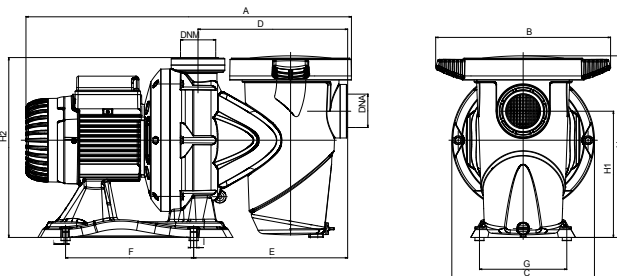
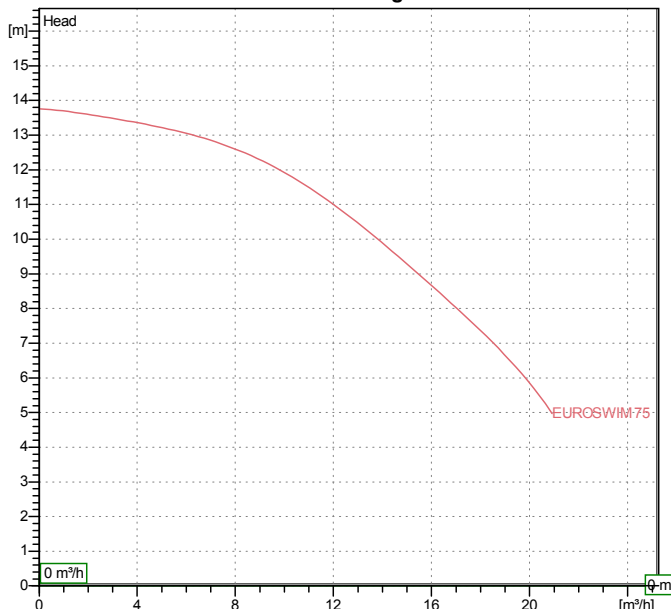
 Flow : 0.00 m³/h  
 Head : 0.00 m  
 Fluid : Water, pure  
 Fluid Temperature : 20 °C  
 Density : 998.3 kg/m³  
 Kinematic viscosity : 1.005 mm²/s  
 Vapor pressure : 100.00 kPa

**Hydraulic data (duty point)**

 Flow :  
 Head :

**Materials**

 Pump body Reinforced technopoly mer  
 Impeller Reinforced technopoly mer  
 Diffuser Reinforced technopoly mer  
 Filter Technopoly mer  
 Mechanical seal Carbon/Alumina/NBR/AISI316  
 Filter cover Poly carbonate  
 O-ring NBR

**Curve tolerance according to ISO 9906**

**Weight :** 12.1 kg

**Motor data**

 Motor brand : DAB  
 Nominal power P2 : 0.5 kW  
 Rated speed : 2900 rpm  
 Rated voltage : 1~ 220-240 V 50 Hz  
 Nominal current : 5 A  
 Degree of protection : IP 55

**Dimensions in mm**

A	559	I	11
B	300	L	6.5
C	245		
D	257		
DNA	G2"		
DNM	G2"		
E	265		
F	220		
G	150		
H	317		
H1	222		
H2	314		

**Pump connection**

 Suction side : 2 " G / 2,5 bar (250 kPa)  
 Discharge side : 2 " G / 2,5 bar (250 kPa)



# PERFORMANCE CURVES

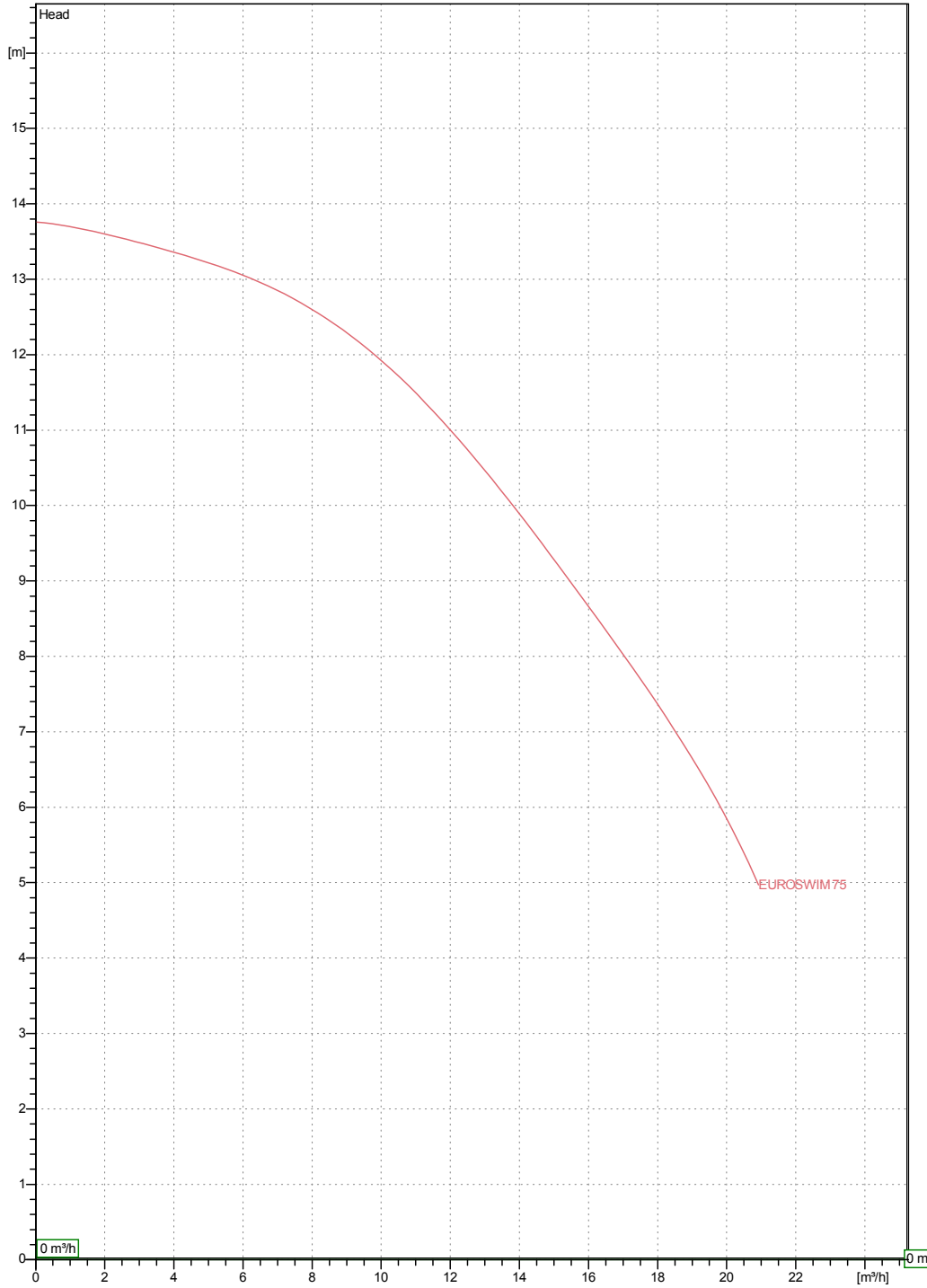
24/03/2016

Page 2 / 3

Society Reference Address Phone Fax E-mail	<b>Receiver</b>	<b>From</b>

## EUROSWM 75 M

Curve tolerance according to ISO 9906



Hydraulic data (duty point)

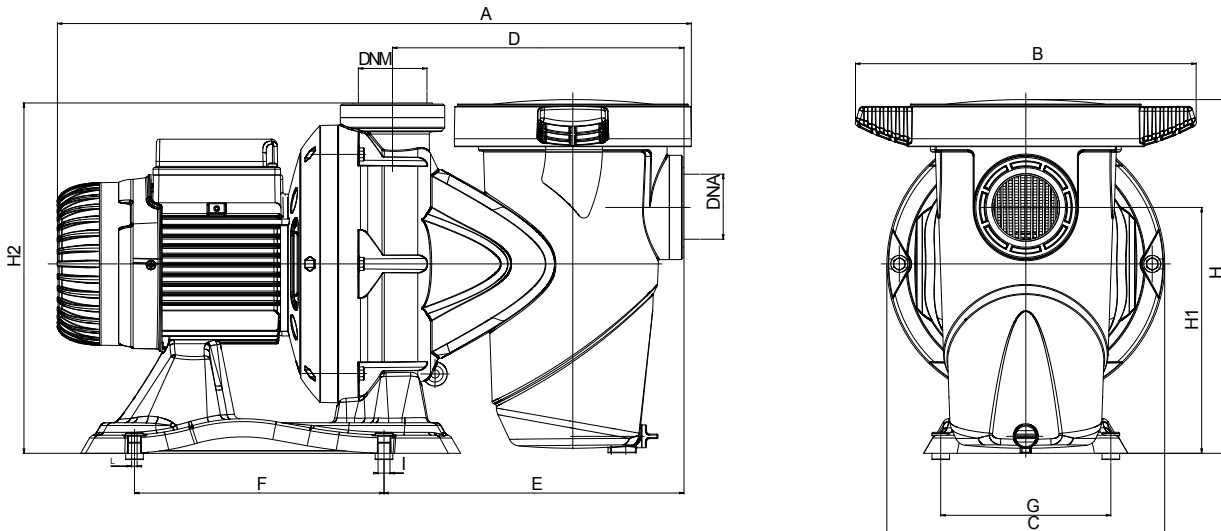
Suction side : 2 " G 2,5 bar (250 kPa)	Discharge side : 2 " G 2,5 bar (250 kPa)	Flow : 0 m³/h	Head : 0 m	Rated speed : 2900 rpm
Project	Project ID	Created by	Created on <b>24/03/2016</b>	

Receiver

From

 Society  
 Reference  
 Address  
 Phone  
 Fax  
 E-mail

## EUROSWIM 75 M


**Dimensions in mm**

1	A	559	H1	222
2	B	300	H2	314
3	C	245	I	11
4	D	257	L	6.5
5	DNA	G2"		
6	DNM	G2"		
7	E	265		
8	F	220		
9	G	150		
10	H	317		

**Pump connection**

 Suction  
 2 " G  
 2,5 bar (250 kPa)

 Discharge  
 2 " G  
 2,5 bar (250 kPa)

Project

Project ID

Created by

Created on

**24/03/2016**